

# **SabMag/VFR List Microfiche & Manuals Electronic Reader Project**

The microfiche and manuals contained herein are provided as a service to the Internet mailing-list community for non-commercial use only. No warranties, express or implied, are given for the accuracy of this material. All materials contained on this CD are in Adobe Portable Document Format (PDF). You may freely copy this information provided it is used in its entirety and includes this message. The free Adobe Acrobat Reader® for each of the supported computer platforms is included to allow reading. Separate license agreements are provided for this software by Adobe and included in the installation package.

**Back to  
Index**

**Continue**  
To next page

# HONDA

## PARTS CATALOG

VFR750F'90•'91•'92•'93  
'94•'95•'96•'97

**Back to  
Main Index**

AMERICAN HONDA MOTOR CO., INC.

August, 1996

Fourth Edition

© American Honda Motor Co., Inc. 1996

PRINTED IN USA

14MT4LM

### TABLE OF CONTENTS

	Grid	Page
How To Use This Catalog .....	A 2	iv
Serial Numbers .....	A 3	vi
Construction Of Vehicle Identification Number (V.I.N.)..	A 3	vii
Manuals .....	A 4	viii
Color Tables .....	A 4	ix
Model ID Photos .....	A 11	xxii
Specifications .....	A 11	xxiii
Bulk Hose .....	B 3	xxx
Commonly Required Replacement Parts .....	B 4	xxxii
Contents By Page No. Sequence .....	B 6	xxxvi
Contents In Alphabetical Order.....	B 6	1
<b>Part Groups</b>		
Engine Group .....	1-C1	2
Frame Group.....	1-F 1	64
<b>Index</b>		
Part Number Index .....	1-L 1	196
Description Index .....	2-C 1	214

© American Honda Motor Co., Inc. 1996 iii

GRID

A1

# HOW TO USE THIS CATALOG

This parts catalog is to be used when ordering replacement parts for the model (s) specified on the microfiche strip.

## CATALOG PAGE BREAKDOWN

MODEL(S)	MODEL APPLICATION							AREA CODE	ENGINE SERIAL NUMBER	QTY REQ	PART NUMBER	HONDA CODE
	1	1	1	1	1	1	1					
	9	9	9	9	9	9	9					
	8	8	8	8	8	8	8					
	4	5	6	7	4	5	6					
REF. NO.	BLOCK NO.	E-1						FROM	TO			
	DESCRIPTION											

1. **REF NO.** — Reference number corresponding with the reference numbers on the illustrations. \* All illustrations are representative only and do not necessarily correspond exactly to the actual part. "NI" signifies the part is not illustrated.

2. **DESCRIPTION** — Describes the part for the related part number.

### Abbreviations:

ASSY.	- Assembly	L (100L)	- Link (100 Links)
COMP.	- Complete	A.C.	- Alternating Current
R.	- Right	D.C.	- Direct Current
L.	- Left	IN	- Inlet
STD.	- Standard	EX.	- Exhaust
MM	- Millimeter	FR.	- Front
G	- Gram	RR.	- Rear
T (22T)	- Tooth (22 Teeth)	RR.	- Rear
A	- Ampere	HEX.	- Hexagonal
V	- Volt	A.M.	- Attaching Mark
W	- Watt	T.M.	- Transcript Mark
KPH	- Kilometer Per Hour	C.D.I.	- Capacitive Discharge Ignition
MPH	- Miles Per Hour	WL	- With Labeling
		WOL	- Without Labeling

### Decision for 'R' or 'L'.

'R' or 'L' in the description of a part stands for the Right hand side or the Left hand side which is decided by the forward direction of travel of the vehicle.

3. **MODEL APPLICATION** — Model application for the various models listed within the catalog. Single model applications will not require this section.

3a. **MODEL YEAR GUIDE** — A guide to the part application. (prior to 1976 the guide reference is the model designation i.e., K0, K1, etc... For 1976 and above the guide reference is the last digit of the model year i.e., 1976=6; 1977=7; 1985=5 etc...)

4. **AREA CODE** — Area codes for parts that are unique to a particular area. Area codes are defined in the Serial Number application chart when applicable. This column will not be used in catalogs which do not include unique area codes.

5. **SERIAL NUMBER** — Applies to Engine or Frame serial numbers depending on the section.

The serial number of the vehicle (frame, engine, carburetor) should be checked prior to ordering parts for a specific unit.

In cases where a part has been modified, the serial number of the vehicle bearing the modification is listed in the 'SERIAL NUMBER' column.

The modification parts are controlled by each pertinent serial number below:

**Engine serial number** — Engine group parts (Block numbers beginning with 'E').

**Carburetor identification number** — Carburetor component parts.

**Frame serial numbers** — Frame group parts (Block numbers beginning with 'F'). Serial number application chart and Serial number locations are provided.

Note: Some models may be controlled by one serial number only.

# HOW TO USE THIS CATALOG

6. **QTY REQ** — Quantity required per unit as specified.  
A. "N" in place of the quantity indicates AS REQUIRED.  
B. "( )" or "\*" by the quantity required indicates "optional".

7. **PART NUMBER** — Part number corresponding to the reference numbers and application. Several part numbers may be listed under one (1) reference number. For your convenience the current supersede chain, as of print date, has been listed for you. Supersede chains are subject to change without notice.

### MAKE-UP OF PART NUMBERS

All parts are classified into two groups consisting of GENERAL PARTS and STANDARD PARTS. All parts are numbered in accordance with system described below:

#### General Parts

Example: Fork comp. Part No. .... 51105-GR1 700ZA  
Function No. .... 51  
Component No. .... 105  
Parts Classification No. .... -GR1-  
Classification No. .... 700  
\*Color Code ..... ZA

#### Standard Parts

Example: 8 x 8 Hex., Bolt Part No. .... 92000-08018-1A  
Function No. .... 92  
Type No. .... 000  
Dimensions ..... -08018-  
ISO Standard Designation ..... 1  
Chemical Surface Treatment ..... A

\* The color code at the end of a General Part's part number indicate the color. However, color codes such as ZA, ZB, ZC onward except ZZ, do not indicate the color directly but refer to the notes "\*" in the Description Column of this Parts Catalog Microfiche. If the color description is not indicated in the text, refer to the color table.

8. **HONDA CODE** — The Honda Code is listed to the right of each Part Number.

A. **ADDITIONAL INFORMATION** — The table of contents located at the right of each microfiche grid lists sectioned titles in alphabetical order. Some microfiche will require separate tables of contents for the Engine and Frame sections which will be noted in a sub-heading; the introduction section (Row "A") of these microfiche will have the contents of the Engine Section on even number grids and the contents of the Frame Section on odd number grids.

### NOTE:

1. The Block No. listed in the upper right hand corner of the Description heading refers to a complete illustration page and it's text, and should not be confused with the GRID NO. when using microfiche.
2. Rear view mirrors are standard equipment on all street legal models.

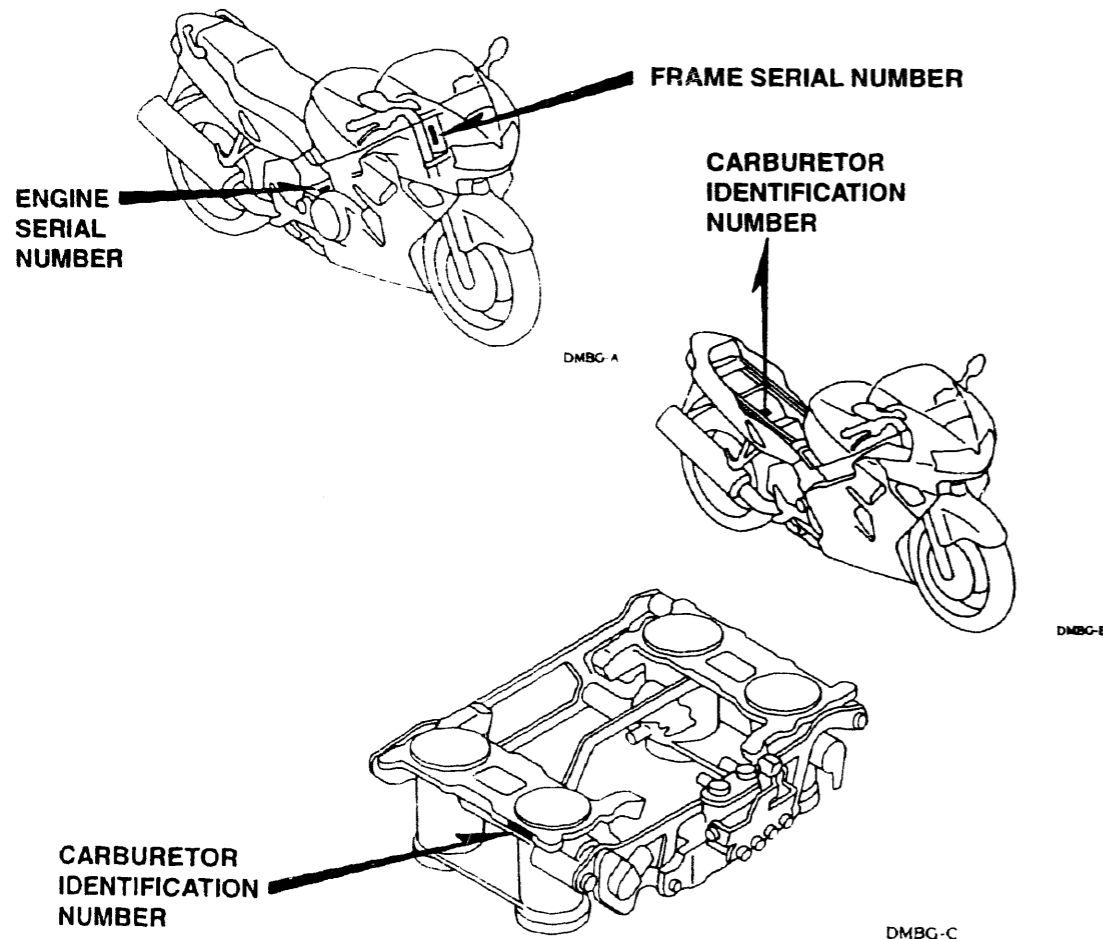
# SERIAL NUMBERS

## Models and applicable serial numbers

Models and applicable serial Nos. given in this parts catalog can be identified as follows. Parts with types are exclusive for models destined for countries designated. If no types are listed, parts are for common use.

Model	Type	Unique Area	Applicable Engine Serial No.	Applicable Frame Serial No.	Applicable Carburetor Identification No.
VFR800F1'98	A	EXCEPT CALIFORNIA	RC46E-2000001 ~	RC460*WM000001 ~	GQ30A[A]
	AC	CALIFORNIA	RC46E-2000001 ~	RC461*WM000001 ~	GQ30B[A]

## Location of stamped serial number



# CONSTRUCTION OF VEHICLE IDENTIFICATION NUMBER (V.I.N.)

(Example) W.M.I. JH2 V.D.S. RC040 - B M V.I.S. 20001

W.M.I. .... World manufacturer identifier  
V.D.S. .... Vehicle descriptor section  
V.I.S. .... Vehicle indicator section

Sequential Production number

### Plant representation

- A .... OHIO factory in U.S.A
- B .... AALST factory in BELGIUM
- C ... SAITAMA factory in JAPAN
- D ... GUADALAJARA factory in MEXICO
- E .... MONTESA factory in SPAIN
- F .... ATESSA factory in ITALY
- K .... KUMAMOTO factory in JAPAN
- M ... HAMAMATSU factory in JAPAN
- R ... MANAUS factory in BRAZIL
- S .... SUZUKA factory in JAPAN
- T .... TOCHIGI factory in JAPAN

### Model year

(Example)

B.. 1981 C ... 1982 D .... 1983 ..... X.. 1999  
<Except I.O.Q.U>

### Check digit

This code is used to detect errors in the V.I.N. and consists of a single-digit number (0-9) or a letter "X". It has no direct bearing upon the V.D.S. and V.I.S.

### Vehicle description code

(Example) RC040 ..... CB750F NC030 ..... CB400T  
Refer to: SERIAL NUMBERS

### Make and Type of vehicle

- JH2 .... HONDA, Motorcycle (Manufactured in JAPAN)
- 1HF ... HONDA, Motorcycle (Manufactured in U.S.A.)
- YC1 ... HONDA, Motorcycle (Manufactured in BELGIUM)
- 9C2 ... HONDA, Motorcycle (Manufactured in BRAZIL)
- 3H1 ... HONDA, Motorcycle (Manufactured in MEXICO)
- VTM .. HONDA, Motorcycle (Manufactured in SPAIN)
- ZDC ... HONDA, Motorcycle (Manufactured in ITALY)
- JH3 .... HONDA, All terrain vehicle (Manufactured in JAPAN)
- 478 .... HONDA, All terrain vehicle (Manufactured in U.S.A.)

Any change or modification of parts is directly related to the V.D.S. and V.I.S.  
A V.I.S. number will appear in the "Serial No." column of the Parts Catalog if a part is changed or modified.

### COMMENT:

This example is generic and applies to 1981 and newer vehicles. 1980 models and prior are referred to as "FRAME NUMBERS" and the construction is designed by using the model designation or code followed by a sequential number.



## COLOR TABLES

### Color chart

- (WL) = Stripes and labels other than caution labels are included in parts whose part name end in (WL).
- (WOL) = Stripes and labels are not included in parts whose part name end in (WOL).

COLOR CODE TABLE (Color descriptions omitted from the main text of the catalog)

TYPE OF PARTS	COLOR CODE	COLOR DESCRIPTION
PAINTED PARTS	A	WHITE
	B	BLACK
	C	SCARLET
	E	ROYAL BLUE
	N	DARK BLUE
	Q	MARIJEM BLUE
	R	IVORY YELLOW
	S	DARK SILVER
	T	METALLIC SILVER
	Z	PRIMER
	ZZ	PRIMER
	XW	CHROME
	VINYL PARTS	A
B		BLUE
D		LIGHT BLUE
E		SCARLET
G		DARK ROSE
N		ELEPHANT GRAY & IVORY
Q		WHITE
V		IVORY

## MANUALS

DESCRIPTION	PART NUMBER	H/C
VFR800FI'98 MICROFICHE .....	14MBGWM	5775721

**MODEL ID PHOTO**

PHOTO NOT AVAILABLE THIS ISSUE

VFR800FI'98

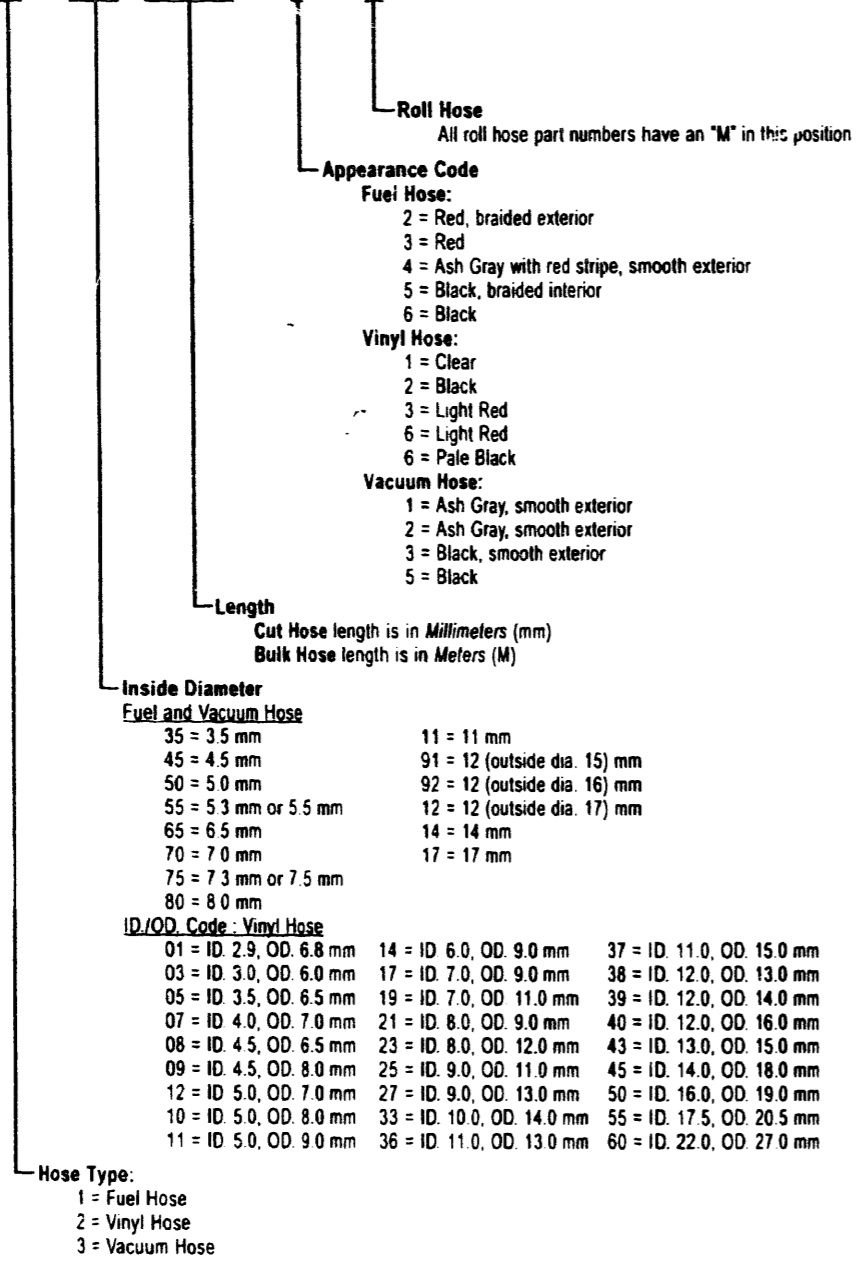
**SPECIFICATIONS**

Specifications Listings To Be Provided At A Later Date

# BULK HOSE

## Construction of Fuel and Vacuum Hose Part Number

Example: 9 5 0 0 1 - 7 5 0 0 4 - 4 0 M



**CAUTION: Never use vacuum / or vinyl hose in place of fuel hose or vice versa**

# MEMO

### COMMONLY REQUIRED REPLACEMENT PARTS

VFR800F1'98		AREA CODE	SERIAL NUMBER		QTY REQ	PART NUMBER	HONDA CODE
Ref. No.	DESCRIPTION		FROM	TO			
			BATTERY (YTX12-BS) (YUASA) .....	-----			
BATTERY (YTX12-BS) (YUASA) .....	-----	-----	1	31500-HF1-677	4615290		
BATTERY (YTX12-BS) (YUASA) .....	-----	-----	1	31500-HA0-686	4176897		
BULB, HEADLIGHT (12V 45/45W) ....	-----	-----	2	34901-MS2-671	3387719		
CHAIN, DRIVE (DID50VA7-120L) ....	-----	-----	1	40540-MZ1-306	5740998		
CHAIN, DRIVE (RK50HFOZ3-120L) ...	-----	-----	1	40540-MZ1-307	5741004		
DISK, CLUTCH FRICTION .....	-----	-----	8	22201-MS6-620	3173879		
DISK, CLUTCH FRICTION .....	-----	-----	8	22201-KM4-000	2391423		
DISK, CLUTCH FRICTION .....	-----	-----	8	22201-KG0-980	2915403		
FILTER, OIL .....	-----	-----	1	15410-MM9-405	5313648		
FILTER, OIL (TOYO) .....	-----	-----	1	15410-MM9-013	4038923		
FUSE F (10A) (MINI) .....	-----	-----	6	98200-41000	4853420		
FUSE F (20A) (MINI) .....	-----	-----	3	98200-42000	4853446		
FUSE, BLADE (3JA) .....	-----	-----	3	98200-33000	1644251		
GASKET, EX. PIPE .....	-----	-----	4	18291-MM5-650	3246535		
GASKET, EX. PIPE .....	-----	-----	4	18291-MM5-650	3246535		
GRIP, L. HANDLE .....	-----	-----	1	53166-MY9-890	5215389		
GRIP, R. HANDLE .....	-----	-----	1	53165-MY9-890	5215371		
HANDLEBAR COMP., R. HANDLE .....	-----	-----	1	53100-MBG-000	5741889		
KEY, BLANK (TYPE1) .....	-----	-----	(1)	35121-KW3-771	3029840		
KEY, BLANK (TYPE2) .....	-----	-----	(1)	35122-KW3-771	3029857		
MIRROR, L. *NH1* (BLACK) .....	-----	-----	1	88120-MV9-003ZA	3698875		
MIRROR, R. *NH1* (BLACK) .....	-----	-----	1	88110-MV9-003ZA	3698842		
SPARK PLUG (CR8EH9) (NGK) .....	-----	-----	(2)	98059-58916	2909596		
SPARK PLUG (CR8EH9) (NGK) .....	-----	-----	(2)	98059-58916	2909596		
SPARK PLUG (CR9EH9) (NGK) .....	-----	-----	2	98059-59916	2909620		
SPARK PLUG (CR9EH9) (NGK) .....	-----	-----	(2)	98059-59910	2909612		
SPARK PLUG (CR9EH9) (NGK) .....	-----	-----	2	98059-59916	2909620		

### COMMONLY REQUIRED REPLACEMENT PARTS

VFR800F1'98		AREA CODE	SERIAL NUMBER		QTY REQ	PART NUMBER	HONDA CODE
Ref. No.	DESCRIPTION		FROM	TO			
			SPARK PLUG (CR9EH9) (NGK) .....	-----			
			2	98059-59910	2909612		
			2	98059-59910	2909612		
			(2)	98059-59916	2909620		
			(2)	98059-59916	2909620		
SPARK PLUG (U24FER9) (ND) .....	-----	-----	(2)	98059-58926	2909604		
SPARK PLUG (U24FER9) (ND) .....	-----	-----	(2)	98059-58926	2909604		
SPARK PLUG (U27FER9) (ND) .....	-----	-----	(2)	98059-59926	2909646		
SPARK PLUG (U27FER9) (ND) .....	-----	-----	(2)	98059-59926	2909646		
			2	98059-59926	2909646		
			2	98059-59926	2909646		
SPROCKET, DRIVE (17T) .....	-----	-----	1	23801-MAT-000	5213954		
TIRE, FR. (120/70ZR17) (DUNLOP) .	-----	-----	1	44711-MBB-004	5364005		
TIRE, RR. (180/55ZR17) (DUNLOP) .	-----	-----	1	42711-MBB-004	5363932		

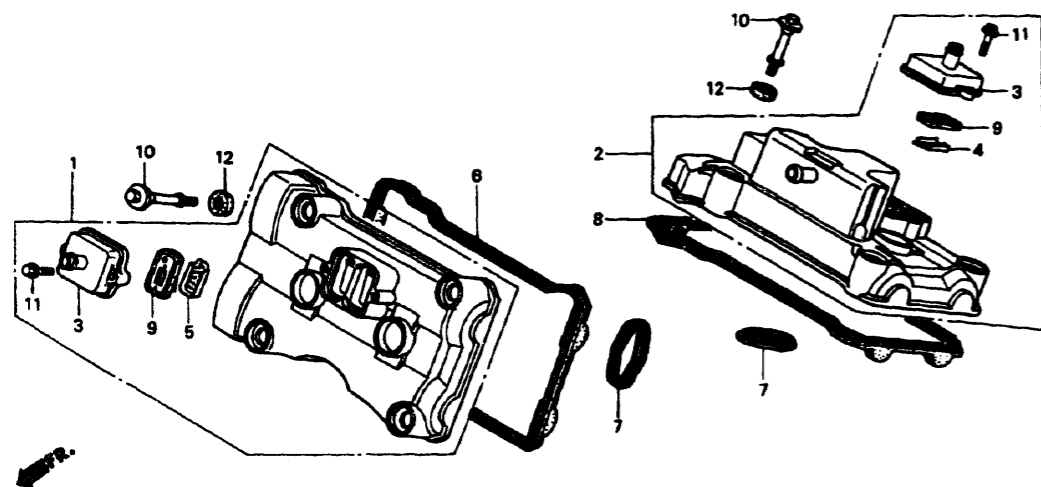
## CONTENTS BY PAGE NO. SEQUENCE

PAGE TITLE	PAGE	GRID	PAGE TITLE	PAGE	GRID
CYLINDER HEAD COVER	2	B1	RADIATOR	111	F9
CYLINDER HEAD FRONT	3	B1	UPPER COWL	114	F11
CYLINDER HEAD REAR	5	B2	LOWER COWL	116	F12
CAMSHAFT	8	B4	EVAP CANISTER	118	G1
RIGHT CRANKCASE COVER	13	B6	CAUTION LABEL	120	G2
CLUTCH	14	B7			
PULSE ALTERNATOR	16	B8			
ALTERNATOR	17	B8			
LEFT CRANKCASE COVER	18	B9			
STARTER MOTOR	20	B10			
OIL PUMP	21	B10			
CRANKCASE	23	B11			
CRANKSHAFT	26	C1			
TRANSMISSION	29	C2			
GEARSHIFT DRUM	32	C4			
WATER PUMP	34	C5			
THROTTLE BODY ASSY.	36	C6			
THROTTLE BODY TUBING	38	C7			
THROTTLE BODY COMP.	40	C8			
AIR SUCTION VALVE	41	C8			
GASKET KIT A	42	C9			
GASKET KIT B	44	C10			
HEADLIGHT	46	D1			
METER	47	D1			
HANDLE SWITCH	49	D2			
FR. BRAKE MASTER CYLINDER	50	D3			
DELAY VALVE	52	D4			
CLUTCH MASTER CYLINDER	53	D4			
HANDLEBAR	55	D5			
STEERING STEM	57	D6			
FRONT FENDER	58	D7			
FRONT FORK	59	D7			
FRONT BRAKE CALIPER	61	D8			
FRONT WHEEL	64	D10			
RR. BRAKE MASTER CYLINDER	65	D10			
PROPORTIONING VALVE	68	D12			
REAR BRAKE CALIPER	69	D12			
REAR WHEEL	71	E1			
FUEL TANK	74	E3			
SEAT	78	E5			
REAR COWL	80	E6			
AIR CLEANER	82	E7			
MUFFLER	84	E8			
PEDAL	86	E9			
STEP	87	E9			
STAND	90	E11			
SWINGARM	92	E12			
REAR SHOCK ABSORBER	94	F1			
REAR FENDER	95	F1			
TURN SIGNAL	97	F2			
REAR COMBINATION LIGHT	98	F3			
BATTERY	100	F4			
WIRE HARNESS	101	F4			
IGNITION COIL	104	F6			
FRAME	106	F7			
OIL COOLER	108	F8			
TOOLS	109	F8			

## CONTENTS IN ALPHABETICAL ORDER

PAGE TITLE	PAGE	GRID	PAGE TITLE	PAGE	GRID
AIR CLEANER	82	E7	TURN SIGNAL	97	F2
AIR SUCTION VALVE	41	C8	WATER PUMP	34	C5
ALTERNATOR	17	B8	WHEEL, FR.	64	D10
BATTERY	100	F4	WHEEL, RR.	71	E1
BRAKE CALIPER, FR.	61	D8	WIRE HARNESS	101	F4
BRAKE CALIPER, RR.	69	D12			
CAMSHAFT	8	B4			
CAUTION LABEL	120	G2			
CLUTCH	14	B7			
CLUTCH MASTER CYLINDER	53	D4			
COMBINATION LIGHT, RR.	98	F3			
COWL, LOWER	116	F12			
COWL, RR.	80	E6			
COWL, UPPER	114	F11			
CRANKCASE	23	B11			
CRANKCASE COVER, L.	18	B9			
CRANKCASE COVER, R.	13	B6			
CRANKSHAFT	26	C1			
CYLINDER HEAD COVER	2	B1			
CYLINDER HEAD FRONT	3	B1			
CYLINDER HEAD REAR	5	B2			
DELAY VALVE	52	D4			
EVAP CANISTER	118	G1			
FENDER, FR.	58	D7			
FENDER, RR.	95	F1			
FORK, FR.	59	D7			
FR. BRAKE MASTER CYLINDER	50	D3			
FRAME	106	F7			
FUEL TANK	74	E3			
GASKET KIT A	42	C9			
GASKET KIT B	44	C10			
GEARSHIFT DRUM	32	C4			
HANDLE SWITCH	49	D2			
HANDLEBAR	55	D5			
HEADLIGHT	46	D1			
IGNITION COIL	104	F6			
METER	47	D1			
MUFFLER	84	E8			
OIL COOLER	108	F8			
OIL PUMP	21	B10			
PEDAL	86	E9			
PROPORTIONING VALVE	68	D12			
PULSE ALTERNATOR	16	B8			
RADIATOR	111	F9			
RR. BRAKE MASTER CYLINDER	65	D10			
SEAT	78	E5			
SHOCK ABSORBER, RR.	94	F1			
STAND	90	E11			
STARTER MOTOR	20	B10			
STEERING STEM	57	D6			
STEP	87	E9			
SWINGARM	92	E12			
THROTTLE BODY ASSY.	36	C6			
THROTTLE BODY COMP.	40	C8			
THROTTLE BODY TUBING	38	C7			
TOOLS	109	F8			
TRANSMISSION	29	C2			

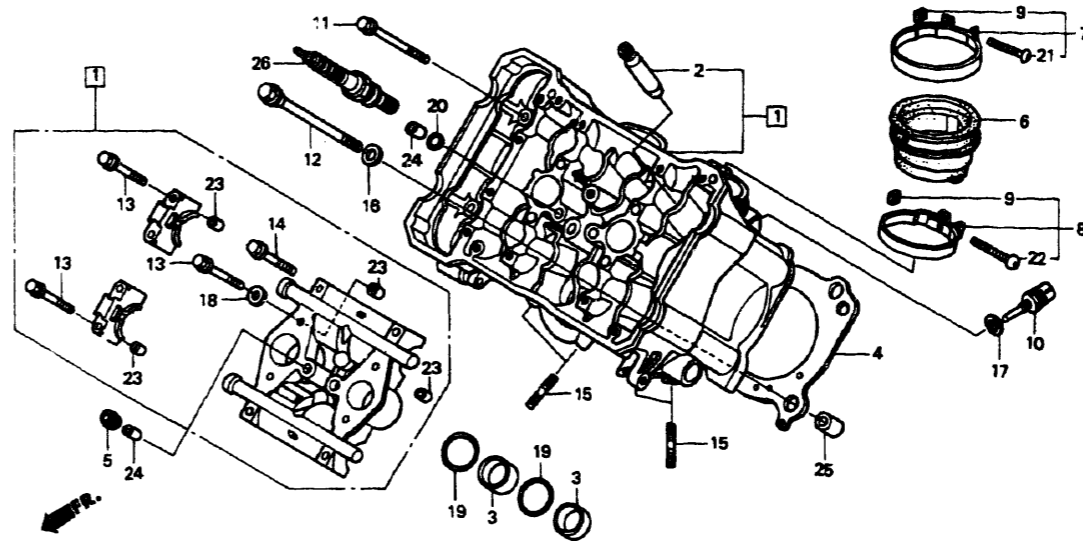
# CYLINDER HEAD COVER



MBG4E0100

VFR800F'98		AREA CODE	ENGINE SERIAL NUMBER	QTY REQ	PART NUMBER	HONDA CODE
Ref. No.	BLOCK NO. DESCRIPTION					
			FROM TO			
1	COVER ASSY., FR. CYLINDER HEAD ...		-----	1	12310-MBG-000	5738653
2	COVER ASSY., RR. CYLINDER HEAD ...		-----	1	12320-MBG-000	5738661
3	COVER, REED VALVE .....		-----	2	12331-MAT-750	5212386
4	PLATE, PORT (AI) .....		-----	2	12341-MAT-750	5212394
5	PLATE, PORT (AI) .....		-----	2	12341-MBG-000	5738679
6	GASKET, FR. CYLINDER HEAD COVER ..		-----	1	12391-MBG-000	5738687
7	GASKET B, CYLINDER HEAD COVER .....		-----	4	12394-MBG-000	5738695
8	GASKET, RR. CYLINDER HEAD COVER ..		-----	1	12395-MBG-000	5738703
9	VALVE COMP., REED .....		-----	4	18601-MJ1-790	2489995
10	BOLT, HEAD COVER .....		-----	8	90002-MY5-850	5033683
11	BOLT, FLANGE (6X20) .....		-----	4	90020-ZC3-000	2734820
12	RUBBER, SETTING .....		-----	8	90543-MV9-670	3699139

# CYLINDER HEAD FRONT



MBG4E0200

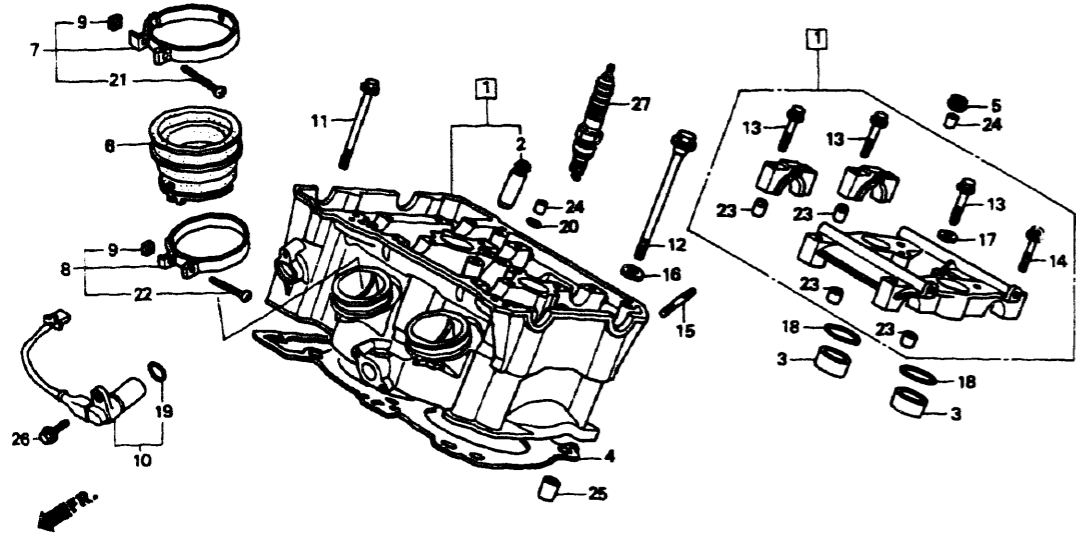
VFR800F'98		AREA CODE	ENGINE SERIAL NUMBER	QTY REQ	PART NUMBER	HONDA CODE
Ref. No.	BLOCK NO. DESCRIPTION					
			FROM TO			
1	CYLINDER HEAD ASSY., FR. ....		-----	1	12010-MBG-000	5738620
2	GUIDE, VALVE .....		-----	8	12204-MW4-305	4481396
3	COLLAR (25MM) .....		-----	2	12217-MBG-000	5738646
4	GASKET, FR. CYLINDER HEAD .....		-----	1	12251-MW4-000	4481412
5	GASKET C, HEAD COVER .....		-----	2	12396-MBG-000	5738711
6	INSULATOR, THROTTLE BODY .....		-----	2	16211-MBG-000	5739164
7	BAND, INSULATOR .....		-----	2	16217-MBG-000	5739172
8	BAND B, INSULATOR .....		-----	2	16218-MV9-670	3694866
9	NUT, SQUARE (5MM) .....		-----	4	16222-MV4-300	3694882
10	SENSOR ASSY., WATER TEMP .....		-----	1	37870-MBG-003	5774591
11	BOLT, FLANGE (6X77) .....		-----	2	90004-PR0-000	3167236
12	BOLT, FLANGE (9X92) .....		-----	6	90008-ML7-920	4485413
13	BOLT, FLANGE (6X48) .....		-----	8	90018-425-000	0717256
14	BOLT, FLANGE (6X39.5) .....		-----	4	90019-MA6-000	2410504
15	BOLT, STUD (6X22) .....		-----	4	90035-MW4-000	4500658
16	WASHER (9MM) .....		-----	6	90445-MW4-000	3453420

# CONTENTS

TITLE	PAGE	GRID
AIR CLEANER	82	E7
AIR SUCTION VALVE	41	C8
ALTERNATOR	17	B8
BATTERY	100	F4
BRAKE CALIPER, FR.	61	D8
BRAKE CALIPER, RR.	69	D12
CAMSHAFT	8	B4
CAUTION LABEL	120	G2
CLUTCH	14	B7
CLUTCH MASTER CYLINDER	53	D4
COMBINATION LIGHT, RR.	98	F3
COWL, LOWER	116	F12
COWL, RR.	80	E6
COWL, UPPER	114	F11
CRANKCASE	23	B11
CRANKCASE COVER, L.	18	B9
CRANKCASE COVER, R.	13	B6
CRANKSHAFT	26	C1
CYLINDER HEAD COVER	2	B1
CYLINDER HEAD FRONT	3	B1
CYLINDER HEAD REAR	5	B2
DELAY VALVE	52	D4
EVAP CANISTER	118	G1
FENDER, FR.	58	D7
FENDER, RR.	95	F1
FORK, FR.	59	D7
FR. BRAKE MASTER CYLINDER	50	D3
FRAME	106	F7
FUEL TANK	74	E3
GASKET KIT A	42	C9
GASKET KIT B	44	C10
GEARSHIFT DRUM	32	C4
HANDLE SWITCH	49	D2
HANDLEBAR	55	D5
HEADLIGHT	46	D1
IGNITION COIL	104	F6
METER	47	D1
MUFFLER	84	E8
OIL COOLER	108	F8
OIL PUMP	21	B10
PEDAL	86	E9
PROPORTIONING VALVE	68	D12
PULSE ALTERNATOR	16	B8
RADIATOR	111	F9
RR. BRAKE MASTER CYLINDER	65	D10
SEAT	78	E5
SHOCK ABSORBER, RR.	94	F1
STAND	90	E11
STARTER MOTOR	20	B10
STEERING STEM	57	D6
STEP	87	E9
SWINGARM	82	E12
THROTTLE BODY ASSY.	36	C6
THROTTLE BODY COMP.	40	C8
THROTTLE BODY TUBING	38	C7
TOOLS	109	F8
TRANSMISSION	29	C2
TURN SIGNAL	97	F2
WATER PUMP	34	C5
WHEEL, FR.	64	D10
WHEEL, RR.	71	E1
WIRE HARNESS	101	F4



# CYLINDER HEAD REAR



MBG4E0201

VFR800F1'98

Ref. No. BLOCK NO. E-2-1  
DESCRIPTION

AREA  
C  
O  
D  
E

ENGINE  
SERIAL NUMBER  
FROM TO

Q  
T  
Y  
R  
E  
Q

PART NUMBER

HONDA  
CODE

27 SPARK PLUG (U27FER9) (ND) .....

-----

(2)

98059-59926

2909646

98059-59926

2909646

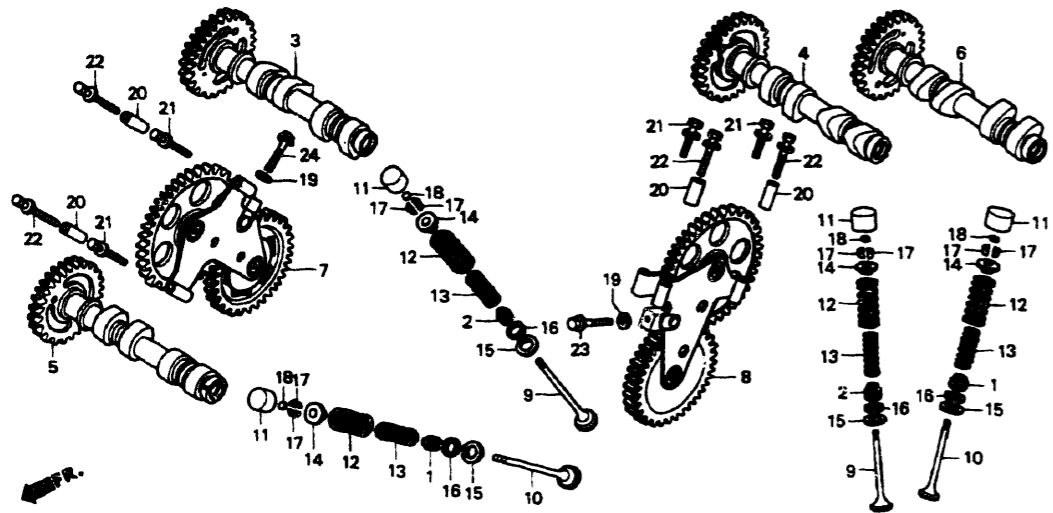
# CONTENTS

TITLE	PAGE	GRID
AIR CLEANER	82	E7
AIR SUCTION VALVE	41	C8
ALTERNATOR	17	B8
BATTERY	100	F4
BRAKE CALIPER, FR.	61	D8
BRAKE CALIPER, RR.	69	D12
CAMSHAFT	8	B4
CAUTION LABEL	120	G2
CLUTCH	14	B7
CLUTCH MASTER CYLINDER	53	D4
COMBINATION LIGHT, RR.	98	F3
COWL, LOWER	116	F12
COWL, RR.	80	E6
COWL, UPPER	114	F11
CRANKCASE	23	B11
CRANKCASE COVER, L.	18	B9
CRANKCASE COVER, R.	13	B6
CRANKSHAFT	26	C1
CYLINDER HEAD COVER	2	B1
CYLINDER HEAD FRONT	3	B1
CYLINDER HEAD REAR	5	B2
DELAY VALVE	52	D4
EVAP CANISTER	118	G1
FENDER, FR.	58	D7
FENDER, RR.	95	F1
FORK, FR.	59	D7
FR. BRAKE MASTER CYLINDER	50	D3
FRAME	106	F7
FUEL TANK	74	E3
GASKET KIT A	42	C9
GASKET KIT B	44	C10
GEARSHIFT DRUM	32	C4
HANDLE SWITCH	49	D2
HANDLEBAR	55	D5
HEADLIGHT	46	D1
IGNITION COIL	104	F6
METER	47	D1
MUFFLER	84	E8
OIL COOLER	108	F8
OIL PUMP	21	B10
PEDAL	86	E9
PROPORTIONING VALVE	68	D12
PULSE ALTERNATOR	16	B8
RADIATOR	111	F9
RR. BRAKE MASTER CYLINDER	65	D10
SEAT	78	E5
SHOCK ABSORBER, RR.	94	F1
STAND	90	E11
STARTER MOTOR	20	B10
STEERING STEM	57	D6
STEP	87	E9
SWINGARM	92	E12
THROTTLE BODY ASSY.	36	C6
THROTTLE BODY COMP.	40	C8
THROTTLE BODY TUBING	38	C7
TOOLS	109	F8
TRANSMISSION	29	C2
TURN SIGNAL	97	F2
WATER PUMP	34	C5
WHEEL, FR.	64	D10
WHEEL, RR.	71	E1
WIRE HARNESS	101	F4

Ref. No.	BLOCK NO. E-2-1 DESCRIPTION	AREA C O D E	ENGINE SERIAL NUMBER		QTY REQ	PART NUMBER	HONDA CODE
			FROM	TO			
17	WASHER, SEALING (6.5MM) .....		-----	-----	4	90463-ML7-000	2408680
18	O-RING (24.5X1.9) .....		-----	-----	2	91307-PY4-003	3676731
19	O-RING (16X2.1) .....		-----	-----	1	91309-PX4-003	3301793
20	O-RING (9.8X1.9) .....		-----	-----	2	91317-P4V-004	4906103
21	SCREW, PAN (5X25) .....		-----	-----	2	93500-05025-0H	0374702
22	SCREW, PAN (5X28) .....		-----	-----	2	93500-05028-0G	0923821
23	PIN A, DOWEL (8X14) .....		-----	-----	6	94301-08140	0069310
24	PIN A, DOWEL (10X16) .....		-----	-----	4	94301-10160	0058206
25	PIN A, DOWEL (12X20) .....		-----	-----	2	94301-12200	0165324
26	BOLT, FLANGE (6X18) .....		-----	-----	1	95701-06018-07	2410918
27	SPARK PLUG (CR8EH9) (NGK) .....		-----	-----	(2)	98059-58916	2909596
	SPARK PLUG (U24FER9) (ND) .....		-----	-----	(2)	98059-58926	2909604
	SPARK PLUG (CR9EH9) (NGK) .....		-----	-----	(2)	98059-59910	2909612
			-----	-----	2	98059-59910	2909612
	SPARK PLUG (CR9EH9) (NGK) .....		-----	-----	2	98059-59916	2909620
			-----	-----	(2)	98059-59916	2909620



# CAMSHAFT



MBG4E0300

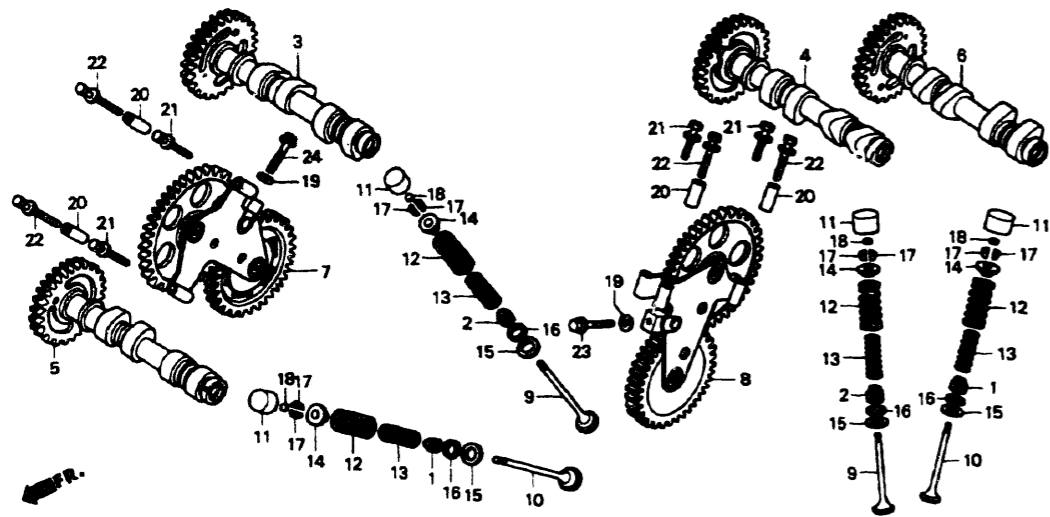
VFR800F1'98		A R E A  C O D E	Q T Y  R E Q	P A R T N U M B E R	H O N D A  C O D E
Ref. No.	BLOCK NO. DESCRIPTION				
	1 SEAL, EX. VALVE STEM (ARAI) .....		8	12208-MLO-721	3465309
	2 SEAL, VALVE STEM (ARAI) .....		8	12209-MLO-722	2905024
	3 CAMSHAFT COMP., FR. IN. ....	A	1	14110-MBG-000	5738778
	CAMSHAFT COMP., FR. IN. ....	AC	1	14110-MBG-770	5738786
	4 CAM SHAFT COMP., RR. IN. ....	A	1	14120-MBG-000	5738794
	CAM SHAFT COMP., RR. IN. ....	AC	1	14120-MBG-770	5738802
	5 CAMSHAFT COMP., FR. EX. ....	A	1	14130-MBG-000	5738810
	CAMSHAFT COMP., FR. EX. ....	AC	1	14130-MBG-770	5738828
	6 CAMSHAFT COMP., RR. EX. ....	A	1	14140-MBG-000	5738836
	CAMSHAFT COMP., RR. EX. ....	AC	1	14140-MBG-770	5738844
	7 GEAR TRAIN COMP., FR. ....		1	14410-MBG-020	5857917
	8 GEAR TRAIN COMP., RR. ....		1	14420-MBG-020	5857925
	9 VALVE, IN. ....		8	14711-MBG-000	5738901
	10 VALVE, EX. ....		8	14721-MBG-000	5738919
	11 LIFTER, VALVE ....		16	14731-MT4-000	3465705
	12 SPRING, VALVE (OUTER) .....		16	14751-MW4-003	4481701

VFR800F1'98		A R E A  C O D E	Q T Y  R E Q	P A R T N U M B E R	H O N D A  C O D E
Ref. No.	BLOCK NO. DESCRIPTION				
	13 SPRING, VALVE (INNER) .....		16	14761-MW4-003	4481719
	14 RETAINER, VALVE SPRING .....		16	14771-KW3-900	3410990
	15 SEAT, VALVE SPRING (OUTER) .....		16	14775-MR7-000	3444783
	16 SEAT, VALVE SPRING (INNER) .....		16	14777-MT4-000	3465770
	17 COTTER, VALVE .....		32	14781-MLO-720	2905271
	18 SHIM, TAPPET (1.200) .....		16	14901-KT7-013	4064283
	SHIM, TAPPET (1.225) .....		16	14902-KT7-013	4105565
	SHIM, TAPPET (1.250) .....		16	14903-KT7-013	4105573
	SHIM, TAPPET (1.275) .....		16	14904-KT7-013	4105581
	SHIM, TAPPET (1.300) .....		16	14905-KT7-013	4105599
	SHIM, TAPPET (1.325) .....		16	14906-KT7-013	4105607
	SHIM, TAPPET (1.350) .....		16	14907-KT7-013	4105615
	SHIM, TAPPET (1.375) .....		16	14908-KT7-013	4105623
	SHIM, TAPPET (1.400) .....		16	14909-KT7-013	4105631
	SHIM, TAPPET (1.425) .....		16	14910-KT7-013	4105649
	SHIM, TAPPET (1.450) .....		16	14911-KT7-013	4105656
	SHIM, TAPPET (1.475) .....		16	14912-KT7-013	4105664
	SHIM, TAPPET (1.500) .....		16	14913-KT7-013	4105672
	SHIM, TAPPET (1.525) .....		16	14914-KT7-013	4105680
	SHIM, TAPPET (1.550) .....		16	14915-KT7-013	4105698
	SHIM, TAPPET (1.575) .....		16	14916-KT7-013	4105706
	SHIM, TAPPET (1.600) .....		16	14917-KT7-013	4105714
	SHIM, TAPPET (1.625) .....		16	14918-KT7-013	4105722
	SHIM, TAPPET (1.650) .....		16	14919-KT7-013	4105730
	SHIM, TAPPET (1.675) .....		16	14920-KT7-013	4105748
	SHIM, TAPPET (1.700) .....		16	14921-KT7-013	4105755
	SHIM, TAPPET (1.725) .....		16	14922-KT7-013	4105763
	SHIM, TAPPET (1.750) .....		16	14923-KT7-013	4105771
	SHIM, TAPPET (1.775) .....		16	14924-KT7-013	4105789
	SHIM, TAPPET (1.800) .....		16	14925-KT7-013	4105797
	SHIM, TAPPET (1.825) .....		16	14926-KT7-013	4105805
	SHIM, TAPPET (1.850) .....		16	14927-KT7-013	4105813

# CONTENTS

TITLE	PAGE	GRID
AIR CLEANER	82	E7
AIR SUCTION VALVE	41	C8
ALTERNATOR	17	B8
BATTERY	100	F4
BRAKE CALIPER, FR.	61	D8
BRAKE CALIPER, RR.	69	D12
CAMSHAFT	8	B4
CAUTION LABEL	120	G2
CLUTCH	14	B7
CLUTCH MASTER CYLINDER	53	D4
COMBINATION LIGHT, RR.	98	F3
COWL, LOWER	116	F12
COWL, RR.	80	E6
COWL, UPPER	114	F11
CRANKCASE	23	B11
CRANKCASE COVER, L.	18	B9
CRANKCASE COVER, R.	13	B6
CRANKSHAFT	26	C1
CYLINDER HEAD COVER	2	B1
CYLINDER HEAD FRONT	3	B1
CYLINDER HEAD REAR	5	B2
DELAY VALVE	52	D4
EVAP CANISTER	118	G1
FENDER, FR.	58	D7
FENDER, RR.	95	F1
FORK, FR.	59	D7
FR. BRAKE MASTER CYLINDER	50	D3
FRAME	106	F7
FUEL TANK	74	E3
GASKET KIT A	42	C9
GASKET KIT B	44	C10
GEARSHIFT DRUM	32	C4
HANDLE SWITCH	49	D2
HANDLEBAR	55	D5
HEADLIGHT	46	D1
IGNITION COIL	104	F6
METER	47	D1
MUFFLER	84	E8
OIL COOLER	108	F8
OIL PUMP	21	B10
PEDAL	86	E9
PROPORTIONING VALVE	68	D12
PULSE ALTERNATOR	16	B8
RADIATOR	111	F9
RR. BRAKE MASTER CYLINDER	65	D10
SEAT	78	E5
SHOCK ABSORBER, RR.	94	F1
STAND	90	E11
STARTER MOTOR	20	B10
STEERING STEM	57	D6
SWINGARM	87	E9
THROTTLE BODY ASSY.	92	E12
THROTTLE BODY COMP.	36	C6
THROTTLE BODY COMP.	40	C8
THROTTLE BODY TUBING	38	C7
TOOLS	109	F8
TRANSMISSION	29	C2
TURN SIGNAL	97	F2
WATER PUMP	34	C5
WHEEL, FR.	64	D10
WHEEL, RR.	71	E1
WIRE HARNESS	101	F4

# CAMSHAFT



MBG4E0300

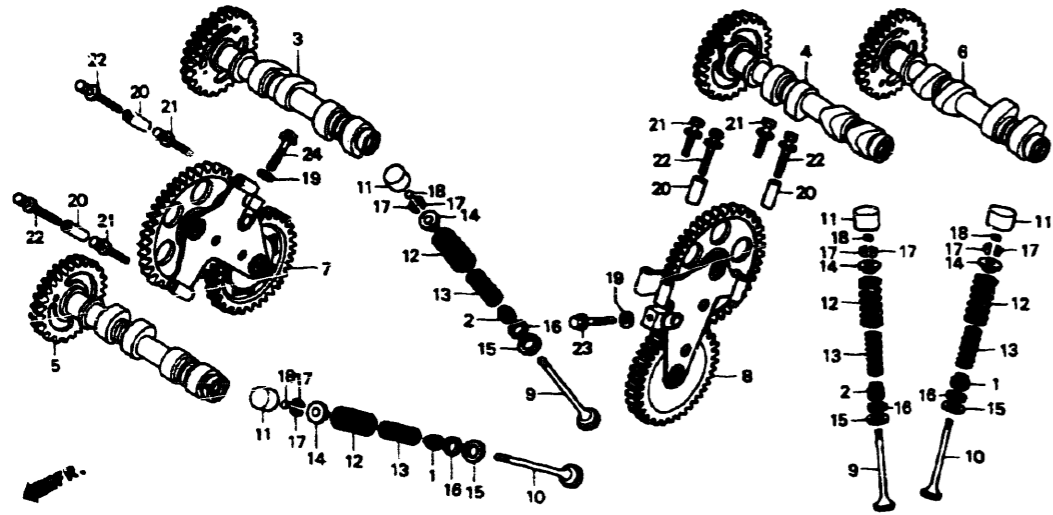
VFR800F1'98		AREA CODE	ENGINE SERIAL NUMBER	QTY REQ	PART NUMBER	HONDA CODE
Ref. No.	BLOCK NO. DESCRIPTION					
18	SHIM, TAPPET (1.875) .....	-----	-----	16	14928-KT7-013	4105821
	SHIM, TAPPET (1.900) .....	-----	-----	16	14929-KT7-013	4105839
	SHIM, TAPPET (1.925) .....	-----	-----	16	14930-KT7-013	4105847
	SHIM, TAPPET (1.950) .....	-----	-----	16	14931-KT7-013	4105854
	SHIM, TAPPET (1.975) .....	-----	-----	16	14932-KT7-013	4105862
	SHIM, TAPPET (2.000) .....	-----	-----	16	14933-KT7-013	4105870
	SHIM, TAPPET (2.025) .....	-----	-----	16	14934-KT7-013	4105888
	SHIM, TAPPET (2.050) .....	-----	-----	16	14935-KT7-013	4105896
	SHIM, TAPPET (2.075) .....	-----	-----	16	14936-KT7-013	4105904
	SHIM, TAPPET (2.100) .....	-----	-----	16	14937-KT7-013	4105912
	SHIM, TAPPET (2.125) .....	-----	-----	16	14938-KT7-013	4105920
	SHIM, TAPPET (2.150) .....	-----	-----	16	14939-KT7-013	4105938
	SHIM, TAPPET (2.175) .....	-----	-----	16	14940-KT7-013	4105946
	SHIM, TAPPET (2.200) .....	-----	-----	16	14941-KT7-013	4105953
	SHIM, TAPPET (2.225) .....	-----	-----	16	14942-KT7-013	4105961
	SHIM, TAPPET (2.250) .....	-----	-----	16	14943-KT7-013	4105979

VFR800F1'98		AREA CODE	ENGINE SERIAL NUMBER	QTY REQ	PART NUMBER	HONDA CODE
Ref. No.	BLOCK NO. DESCRIPTION					
18	SHIM, TAPPET (2.275) .....	-----	-----	16	14944-KT7-013	4105987
	SHIM, TAPPET (2.300) .....	-----	-----	16	14945-KT7-013	4105995
	SHIM, TAPPET (2.325) .....	-----	-----	16	14946-KT7-013	4106001
	SHIM, TAPPET (2.350) .....	-----	-----	16	14947-KT7-013	4106019
	SHIM, TAPPET (2.375) .....	-----	-----	16	14948-KT7-013	4106027
	SHIM, TAPPET (2.400) .....	-----	-----	16	14949-KT7-013	4106035
	SHIM, TAPPET (2.425) .....	-----	-----	16	14950-KT7-013	4106043
	SHIM, TAPPET (2.450) .....	-----	-----	16	14951-KT7-013	4106050
	SHIM, TAPPET (2.475) .....	-----	-----	16	14952-KT7-013	4106068
	SHIM, TAPPET (2.500) .....	-----	-----	16	14953-KT7-013	4106076
	SHIM, TAPPET (2.525) .....	-----	-----	16	14954-KT7-013	4106084
	SHIM, TAPPET (2.550) .....	-----	-----	16	14955-KT7-013	4106092
	SHIM, TAPPET (2.575) .....	-----	-----	16	14956-KT7-013	4106100
	SHIM, TAPPET (2.600) .....	-----	-----	16	14957-KT7-013	4106118
	SHIM, TAPPET (2.625) .....	-----	-----	16	14958-KT7-013	4106126
	SHIM, TAPPET (2.650) .....	-----	-----	16	14959-KT7-013	4106134
	SHIM, TAPPET (2.675) .....	-----	-----	16	14960-KT7-013	4106142
	SHIM, TAPPET (2.700) .....	-----	-----	16	14961-KT7-013	4106159
	SHIM, TAPPET (2.725) .....	-----	-----	16	14962-KT7-013	4106167
	SHIM, TAPPET (2.750) .....	-----	-----	16	14963-KT7-013	4106175
	SHIM, TAPPET (2.775) .....	-----	-----	16	14964-KT7-013	4106183
	SHIM, TAPPET (2.800) .....	-----	-----	16	14965-KT7-013	4106191
	SHIM, TAPPET (2.825) .....	-----	-----	16	14966-KT7-013	3916574
	SHIM, TAPPET (2.850) .....	-----	-----	16	14967-KT7-013	3916590
	SHIM, TAPPET (2.875) .....	-----	-----	16	14968-KT7-013	3916608
	SHIM, TAPPET (2.900) .....	-----	-----	16	14969-KT7-013	4106209
19	WASHER, SEALING (7MM) .....	-----	-----	2	90441-ME9-000	1371152
20	PIN, DOWEL (8X31.5) .....	-----	-----	4	91104-KT7-000	2545077
21	BOLT-WASHER (6X40) .....	-----	-----	4	93401-06040-08	3748811
22	BOLT-WASHER (6X50) .....	-----	-----	4	93401-06050-08	5742788
23	BOLT, FLANGE (8X25) .....	-----	-----	1	95701-08025-00	2545325
24	BOLT, FLANGE (8X38) .....	-----	-----	1	95700-08038-00	2920536

# CONTENTS

TITLE	PAGE	GRID
AIR CLEANER .....	82	E7
AIR SUCTION VALVE .....	41	C8
ALTERNATOR .....	17	B8
BATTERY .....	100	F4
BRAKE CALIPER, FR. ....	61	D8
BRAKE CALIPER, RR. ....	69	D12
CAMSHAFT .....	8	B4
CAUTION LABEL .....	120	G2
CLUTCH .....	14	B7
CLUTCH MASTER CYLINDER .....	53	D4
COMBINATION LIGHT, RR. ....	98	F3
COWL, LOWER .....	116	F12
COWL, RR. ....	80	E6
COWL, UPPER .....	114	F11
CRANKCASE .....	23	B11
CRANKCASE COVER, L. ....	18	B9
CRANKCASE COVER, R. ....	13	B6
CRANKSHAFT .....	26	C1
CYLINDER HEAD COVER .....	2	B1
CYLINDER HEAD FRONT .....	3	B1
CYLINDER HEAD REAR .....	5	B2
DELAY VALVE .....	52	D4
EVAP CANISTER .....	118	G1
FENDER, FR. ....	58	D7
FENDER, RR. ....	95	F1
FORK, FR. ....	59	D7
FR. BRAKE MASTER .....	50	D3
CYLINDER .....	50	D3
FRAME .....	106	F7
FUEL TANK .....	74	E3
GASKET KIT A .....	42	C9
GASKET KIT B .....	44	C10
GEARSHIFT DRUM .....	32	C4
HANDLE SWITCH .....	49	D2
HANDLEBAR .....	55	D5
HEADLIGHT .....	46	D1
IGNITION COIL .....	104	F6
METER .....	47	D1
MUFFLER .....	84	E8
OIL COOLER .....	108	F8
OIL PUMP .....	21	B10
PEDAL .....	86	E9
PROPORTIONING VALVE .....	68	D12
PULSE ALTERNATOR .....	16	B8
RADIATOR .....	111	F9
RR. BRAKE MASTER .....	65	D10
CYLINDER .....	65	D10
SEAT .....	78	E5
SHOCK ABSORBER, RR. ....	94	F1
STAND .....	90	E11
STARTER MOTOR .....	20	B10
STEERING STEM .....	57	D6
STEP .....	87	E9
SWINGARM .....	92	E12
THROTTLE BODY ASSY. ....	36	C6
THROTTLE BODY COMP. ....	40	C8
THROTTLE BODY TUBING .....	38	C7
TOOLS .....	109	F8
TRANSMISSION .....	29	C2
TURN SIGNAL .....	97	F2
WATER PUMP .....	34	C5
WHEEL, FR. ....	64	D10
WHEEL, RR. ....	71	E1
WIRE HARNESS .....	101	F4

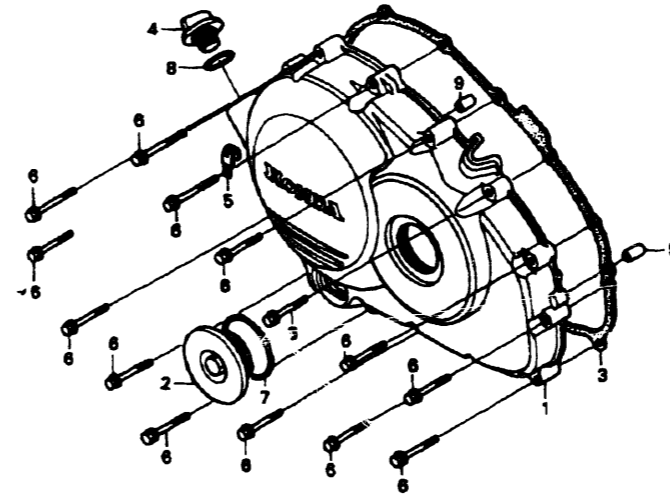
# CAMSHAFT



MBG4E0300

VFR800F198		AREA CODE	ENGINE SERIAL NUMBER	QTY REQ	PART NUMBER	HONDA CODE
Ref. No.	BLOCK NO. DESCRIPTION					
		E-3	FROM TO			
	24 BOLT, FLANGE (8X38) .....			1	95701-08038-00	3473709

# RIGHT CRANKCASE COVER



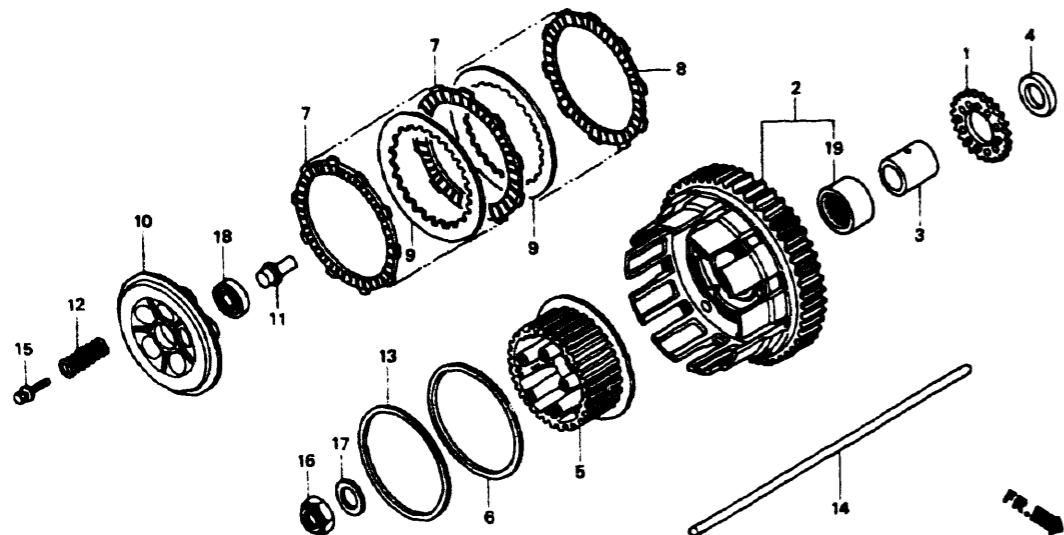
MBG4E0400

VFR800F198		AREA CODE	ENGINE SERIAL NUMBER	QTY REQ	PART NUMBER	HONDA CODE
Ref. No.	BLOCK NO. DESCRIPTION					
		E-4	FROM TO			
	1 COVER COMP., R. ....			1	11330-MM4-010	5773924
	2 CAP (45MM) .....			1	11332-MM5-000	2546638
	3 GASKET, R. COVER .....			1	11394-MB6-000	5738604
	4 CAP, OIL FILTER .....			1	15611-MB0-000	1241728
	5 CLIP, PULSER WIRE .....			1	32925-958-000	1771013
	6 BOLT, FLANGE (6X32) (NSHF) .....			14	90005-GHB-690	4890323
	7 O-RING (48.1X3.6) (ARAI) .....			1	91301-ML7-003	2408805
	8 O-RING (22X3.0) .....			1	91301-250-000	0035287
	O-RING (22X3.0) .....			1	91307-425-003	1216126
	9 PIN A, DOWEL (8X14) .....			2	94301-08140	0069310

# CONTENTS

TITLE	PAGE	GRID
AIR CLEANER	82	E7
AIR SUCTION VALVE	41	C8
ALTERNATOR	17	B8
BATTERY	100	F4
BRAKE CALIPER, FR.	61	D8
BRAKE CALIPER, RR.	89	D12
CAMSHAFT	8	B4
CAUTION LABEL	120	G2
CLUTCH	14	B7
CLUTCH MASTER CYLINDER	53	D4
COMBINATION LIGHT, RR.	98	F3
COWL, LOWER	116	F12
COWL, RR.	80	E6
COWL, UPPER	114	F11
CRANKCASE	23	B11
CRANKCASE COVER, L.	18	B9
CRANKCASE COVER, R.	13	B6
CRANKSHAFT	26	C1
CYLINDER HEAD COVER	2	B1
CYLINDER HEAD FRONT	3	B1
CYLINDER HEAD REAR	5	B2
DELAY VALVE	52	D4
EVAP CANISTER	118	G1
FENDER, FR.	58	D7
FENDER, RR.	95	F1
FORK, FR.	59	D7
FR. BRAKE MASTER CYLINDER	50	D3
FRAME	106	F7
FUEL TANK	74	E3
GASKET KIT A	42	C9
GASKET KIT B	44	C10
GEARSHIFT DRUM	32	C4
HANDLE SWITCH	49	D2
HANDLEBAR	55	D5
HEADLIGHT	46	D1
IGNITION COIL	104	F6
METER	47	D1
MUFFLER	84	E8
OIL COOLER	108	F8
OIL PUMP	21	B10
PEDAL	86	E9
PROPORTIONING VALVE	68	D12
PULSE ALTERNATOR	16	B8
RADIATOR	111	F9
RR. BRAKE MASTER CYLINDER	65	D10
SEAT	78	E5
SHOCK ABSORBER, RR.	94	F1
STAND	90	E11
STARTER MOTOR	20	B10
STEERING STEM	57	D8
STEP	87	E9
SWINGARM	92	E12
THROTTLE BODY ASSY.	36	C6
THROTTLE BODY COMP.	40	C8
THROTTLE BODY TUBING	38	C7
TOOLS	109	F8
TRANSMISSION	29	C2
TURN SIGNAL	97	F2
WATER PUMP	34	C5
WHEEL, FR.	64	D10
WHEEL, RR.	71	E1
WIRE HARNESS	101	F4

# CLUTCH



MBG4E0500

VFR800F1'98

Ref. No.	BLOCK NO. DESCRIPTION	E-5	ENGINE SERIAL NUMBER		QTY REQ	PART NUMBER	HONDA CODE
			FROM	TO			
	14 ROD, CLUTCH LIFTER .....		-----	-----	1	22850-MBG-000	5740188
	15 BOLT-WASHER (6X25) .....		-----	-----	5	90022-MM5-000	2551778
	16 NUT, LOCK (22MM) .....		-----	-----	1	90231-MZ7-000	4468286
	17 WASHER, SPRING (22MM) .....		-----	-----	1	90432-MB0-010	2408615
	18 BEARING, RADIAL BALL (16003) .....		-----	-----	1	91008-362-000	0334854
	BEARING, RADIAL BALL (16003) .....		-----	-----	1	91010-HC0-003	2519544
	19 BEARING, NEEDLE (35X42X30) (TOYO) .....		-----	-----	1	91024-MB0-003	1243807

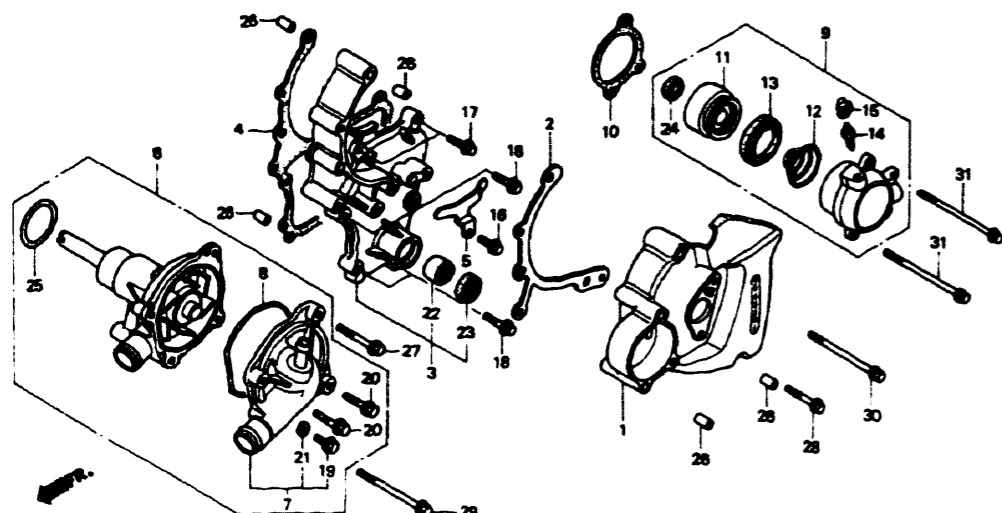
Ref. No.	BLOCK NO. DESCRIPTION	E-5	AREA CODE	ENGINE SERIAL NUMBER		QTY REQ	PART NUMBER	HONDA CODE
				FROM	TO			
	1 SPROCKET COMP., OIL PUMP DRIVE ...			-----	-----	1	15131-ML7-000	2402576
	2 OUTER COMP., CLUTCH .....			-----	-----	1	22100-MBG-000	5740154
	3 GUIDE, CLUTCH (OUTER) .....			-----	-----	1	22116-MB0-000	1242536
	4 COLLAR, CLUTCH (OUTER) .....			-----	-----	1	22117-ML7-690	2530228
	5 CENTER, CLUTCH .....			-----	-----	1	22120-ML7-010	4466389
	6 SEAT, JUDDER SPRING .....			-----	-----	1	22125-ML7-000	2404358
	7 DISK, CLUTCH FRICTION .....			-----	-----	8	22201-KG0-980	2915403
	DISK, CLUTCH FRICTION .....			-----	-----	8	22201-KM4-000	2391423
	DISK, CLUTCH FRICTION .....			-----	-----	8	22201-MS6-620	3173879
	8 DISK B, CLUTCH FRICTION .....			-----	-----	1	22202-ML4-611	2925857
	9 PLATE, CLUTCH .....			-----	-----	8	22321-ML7-000	2404366
	PLATE, CLUTCH .....			-----	-----	8	22321-MR7-000	3373354
	10 PLATE, CLUTCH PRESSURE .....			-----	-----	1	22350-ML7-000	2404374
	11 PIECE, CLUTCH JOINT .....			-----	-----	1	22366-MS2-611	3373362
	12 SPRING, CLUTCH .....			-----	-----	5	22401-MBG-000	5740170
	13 SPRING, JUDDER .....			-----	-----	1	22402-ML7-000	2404390

# CONTENTS

TITLE	PAGE	GRID
AIR CLEANER	82	E7
AIR SUCTION VALVE	41	C8
ALTERNATOR	17	B8
BATTERY	100	F4
BRAKE CALIPER, FR.	61	D8
BRAKE CALIPER, RR.	69	D12
CAMSHAFT	8	B4
CAUTION LABEL	120	G2
CLUTCH	14	B7
CLUTCH MASTER CYLINDER	53	D4
COMBINATION LIGHT, RR.	98	F3
COWL, LOWER	116	F12
COWL, RR.	80	E8
COWL, UPPER	114	F11
CRANKCASE	23	B11
CRANKCASE COVER, L.	18	B9
CRANKCASE COVER, R.	13	B6
CRANKSHAFT	26	C1
CYLINDER HEAD COVER	2	B1
CYLINDER HEAD FRONT	3	B1
CYLINDER HEAD REAR	5	B2
DELAY VALVE	52	D4
EVAP CANISTER	118	G1
FENDER, FR.	58	D7
FENDER, RR.	95	F1
FORK, FR.	59	D7
FR. BRAKE MASTER CYLINDER	50	D3
FRAME	106	F7
FUEL TANK	74	E3
GASKET KIT A	42	C9
GASKET KIT B	44	C10
GEARSHIFT DRUM	32	C4
HANDLE SWITCH	49	D2
HANDLEBAR	55	D5
HEADLIGHT	46	D1
IGNITION COIL	104	F6
METER	47	D1
MUFFLER	84	E8
OIL COOLER	108	F8
OIL PUMP	21	B10
PEDAL	86	E9
PROPORTIONING VALVE	68	D12
PULSE ALTERNATOR	16	B8
RADIATOR	111	F9
RR. BRAKE MASTER CYLINDER	65	D10
SEAT	78	E5
SHOCK ABSORBER, RR.	94	F1
STAND	90	E11
STARTER MOTOR	20	B10
STEERING STEM	57	D6
STEP	87	E9
SWINGARM	92	E12
THROTTLE BODY ASSY.	36	C6
THROTTLE BODY COMP.	40	C8
THROTTLE BODY TUBING	38	C7
TOOLS	109	F8
TRANSMISSION	29	C2
TURN SIGNAL	97	F2
WATER PUMP	34	C5
WHEEL, FR.	64	D10
WHEEL, RR.	71	E1
WIRE HARNESS	101	F4



# LEFT CRANKCASE COVER



MBG4E0800

VFR800F1'98		AREA CODE	ENGINE SERIAL NUMBER	QTY REQ	PART NUMBER	HONDA CODE
Ref. No.	BLOCK NO. DESCRIPTION					
1	COVER ASSY., L.			1	11340-MBG-000	5738588
2	PLATE, DRIVE CHAIN GUIDE			1	11365-MW4-000	4481297
3	COVER COMP., CHANGE			1	11630-MW4-000	4481313
4	GASKET, CHANGE COVER			1	11632-MW4-000	4481321
5	PLATE, CHANGE COVER			1	11633-MW4-000	4481339
6	WATER PUMP COMP.			1	19200-MBG-000	5739941
7	COVER COMP., WATER PUMP			1	19220-MBG-000	5739958
8	GASKET, WATER PUMP COVER			1	19226-ML7-000	2409563
9	CYLINDER ASSY., SLAVE			1	22860-MT7-000	4482931
10	GASKET, SLAVE CYLINDER			1	22862-MW7-650	3939824
11	PISTON, SLAVE CYLINDER			1	22863-MJ8-003	1763416
12	SPRING, SLAVE CYLINDER			1	22864-MT7-006	4482949
13	CUP, PISTON			1	22865-MJ8-003	1763424
14	SCREW, BLEEDER			1	22866-MF2-711	2247666
15	CAP, BLEEDER SCREW			1	43353-461-771	0954230
16	BOLT, FLANGE (6X12) (NSHF)			1	90004-GHB-610	5144068

VFR800F1'98		AREA CODE	ENGINE SERIAL NUMBER	QTY REQ	PART NUMBER	HONDA CODE
Ref. No.	BLOCK NO. DESCRIPTION					
17	BOLT, FLANGE (6X22) (NSHF)			2	90004-GHB-660	4774162
18	BOLT, FLANGE (6X28) (NSHF)			4	90004-GHB-680	4774188
19	BOLT, FLANGE (6X12)			1	90013-883-000	0636845
20	BOLT, FLANGE (6X25)			2	90121-MV9-670	3705852
21	WASHER, SEALING (6.5MM)			1	90463-ML7-000	2408680
22	BEARING, NEEDLE			1	91101-121-691	1794379
23	OIL SEAL (14X22X5)			1	91203-KK3-830	2735249
24	OIL SEAL (8X18X5) (NISSIN)			1	91209-MB0-003	1243872
25	O-RING (32.95X2.62) (ARAI)			1	91302-MB0-013	1435114
26	PIN A, DOWEL (8X14)			6	94301-08140	0069310
27	BOLT, FLANGE (6X35)			1	96001-06035-00	2112209
28	BOLT, FLANGE (6X35)			1	96001-06035-07	2533891
29	BOLT, FLANGE (6X75)			1	96001-06075-00	2552685
30	BOLT, FLANGE (6X90)			1	96001-06090-07	3454204
31	BOLT, FLANGE (6X95)			2	96001-06095-07	3473774

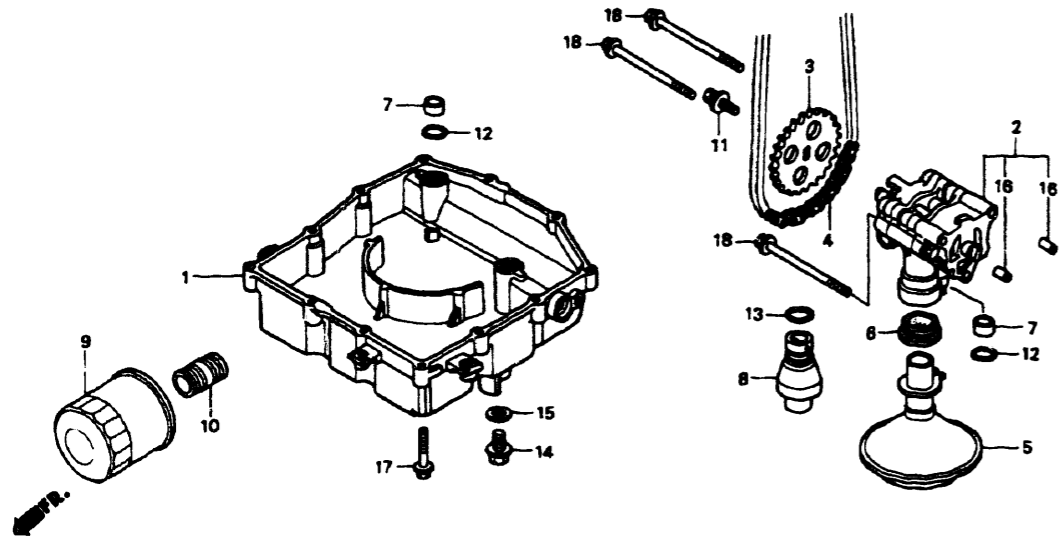
# CONTENTS

TITLE	PAGE	GRID
AIR CLEANER	82	E7
AIR SUCTION VALVE	41	C8
ALTERNATOR	17	B8
BATTERY	100	F4
BRAKE CALIPER, FR.	61	D8
BRAKE CALIPER, RR.	69	D12
CAMSHAFT	8	B4
CAUTION LABEL	120	G2
CLUTCH	14	B7
CLUTCH MASTER CYLINDER	53	D4
COMBINATION LIGHT, RR.	98	F3
COWL, LOWER	116	F12
COWL, RR.	80	E6
COWL, UPPER	114	F11
CRANKCASE	23	B11
CRANKCASE COVER, L.	18	B9
CRANKCASE COVER, R.	13	B6
CRANKSHAFT	26	C1
CYLINDER HEAD COVER	2	B1
CYLINDER HEAD FRONT	3	B1
CYLINDER HEAD REAR	5	B2
DELAY VALVE	52	D4
EVAP CANISTER	118	G1
FENDER, FR.	58	D7
FENDER, RR.	95	F1
FORK, FR.	59	D7
FR. BRAKE MASTER CYLINDER	50	D3
FRAME	106	F7
FUEL TANK	74	E3
GASKET KIT A	42	C9
GASKET KIT B	44	C10
GEARSHIFT DRUM	32	C4
HANDLE SWITCH	49	D2
HANDLEBAR	55	D5
HEADLIGHT	46	D1
IGNITION COIL	104	F6
METER	47	D1
MUFFLER	84	E8
OIL COOLER	108	F8
OIL PUMP	21	B10
PEDAL	86	E9
PROPORTIONING VALVE	68	D12
PULSE ALTERNATOR	16	B8
RADIATOR	111	F9
RR. BRAKE MASTER CYLINDER	65	D10
SEAT	78	E5
SHOCK ABSORBER, RR.	94	F1
STAND	90	E11
STARTER MOTOR	20	B10
STEERING STEM	57	D6
STEP	87	E9
SWINGARM	92	E12
THROTTLE BODY ASSY.	36	C6
THROTTLE BODY COMP.	40	C8
THROTTLE BODY TUBING	38	C7
TOOLS	109	F8
TRANSMISSION	29	C2
TURN SIGNAL	97	F2
WATER PUMP	34	C5
WHEEL, FR.	64	D10
WHEEL, RR.	71	E1
WIRE HARNESS	101	F4





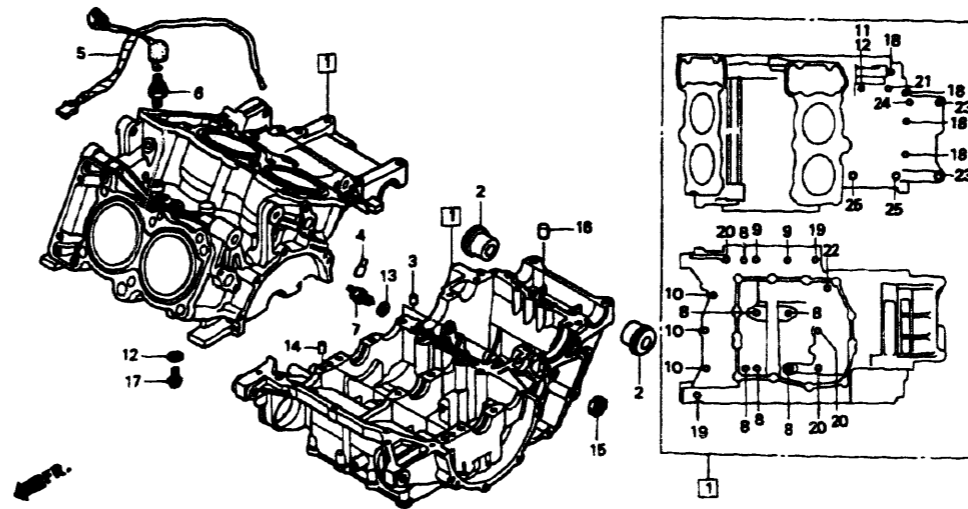
# OIL PUMP



MBG4E1000

VFR800F1'98		AREA CODE	ENGINE SERIAL NUMBER		QTY REQ	PART NUMBER	HONDA CODE
Ref. No.	BLOCK NO. DESCRIPTION		FROM	TO			
					1	92800-12000	0053975
					1	94109-12000	0171868
					2	94301-08140	0069310
					12	95701-06032-00	2105856
					3	95701-06090-00	2533842

# CRANKCASE



MBG4E1100

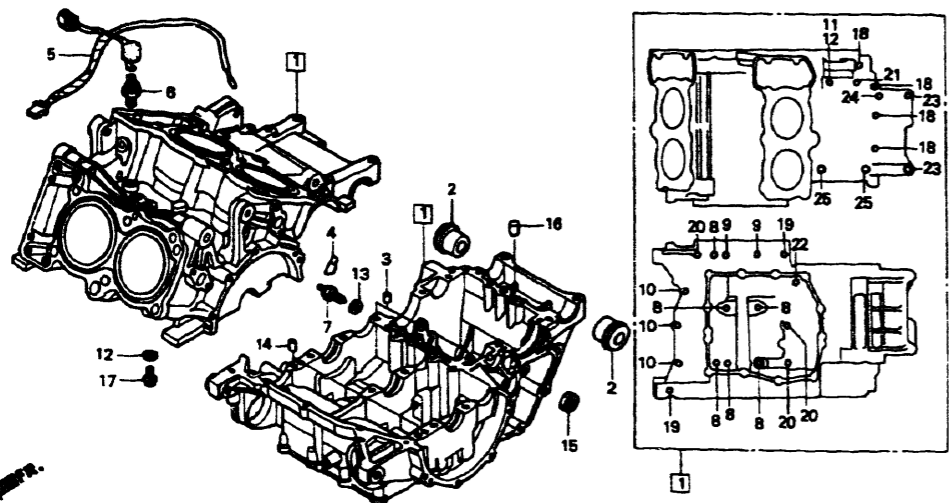
VFR800F1'98		AREA CODE	ENGINE SERIAL NUMBER		QTY REQ	PART NUMBER	HONDA CODE
Ref. No.	BLOCK NO. DESCRIPTION		FROM	TO			
					1	11000-MBG-000	5738554
					2	11105-MBG-000	5738562
					2	15515-KT8-000	2540300
					2	15516-MBG-000	5738935
					1	32109-MBG-000	5740576
					1	35500-MJ4-024	3544608
					1	35600-KE8-003	2887339
					6	90014-MBG-003	5774872
					2	90016-MBG-003	5774880
					3	90017-MBG-000	5742556
					1	90017-MW4-000	5742564
					2	90463-ML7-000	2408680
					1	90545-300-000	0189902
					2	90701-MV9-670	3906971
					1	91204-MB0-013	2952943
					1	94302-08140	0251777

# CONTENTS

TITLE	PAGE	GRID
AIR CLEANER	82	E7
AIR SUCTION VALVE	41	C8
ALTERNATOR	17	B8
BATTERY	100	F4
BRAKE CALIPER, FR	61	D8
BRAKE CALIPER, RR	69	D12
CAMSHAFT	8	B4
CAUTION LABEL	120	G2
CLUTCH	14	B7
CLUTCH MASTER CYLINDER	53	D4
COMBINATION LIGHT, RR	98	F3
COWL, LOWER	116	F12
COWL, RR	80	E6
COWL, UPPER	114	F11
CRANKCASE	23	B11
CRANKCASE COVER, L	18	B9
CRANKCASE COVER, R	13	B6
CRANKSHAFT	26	C1
CYLINDER HEAD COVER	2	B1
CYLINDER HEAD FRONT	3	B1
CYLINDER HEAD REAR	5	B2
DELAY VALVE	52	D4
EVAP CANISTER	118	G1
FENDER, FR	58	D7
FENDER, RR	95	F1
FORK, FR	59	D7
FR. BRAKE MASTER CYLINDER	50	D3
FRAME	106	F7
FUEL TANK	74	E3
GASKET KIT A	42	C9
GASKET KIT B	44	C10
GEARSHIFT DRUM	32	C4
HANDLE SWITCH	49	D2
HANDLEBAR	55	D5
HEADLIGHT	46	D1
IGNITION COIL	104	F6
METER	47	D1
MUFFLER	84	E8
OIL COOLER	108	F8
OIL PUMP	21	B10
PEDAL	86	E9
PROPORTIONING VALVE	68	D12
PULSE ALTERNATOR	16	B8
RADIATOR	111	F9
RR. BRAKE MASTER CYLINDER	65	D10
SEAT	78	E5
SHOCK ABSORBER, RR	94	F1
STAND	90	E11
STARTER MOTOR	20	B10
STEERING STEM	57	D6
STEP	87	E9
SWINGARM	92	E12
THROTTLE BODY ASSY.	36	C6
THROTTLE BODY COMP.	40	C8
THROTTLE BODY TUBING	38	C7
TOOLS	109	F8
TRANSMISSION	29	C2
TURN SIGNAL	97	F2
WATER PUMP	34	C5
WHEEL, FR	64	D10
WHEEL, RR	71	E1
WIRE HARNESS	101	F4



# CRANKCASE



MBG4E1100

VFR800F1'98		AREA CODE	ENGINE SERIAL NUMBER	QTY REQ	PART NUMBER	HONDA CODE
Ref. No.	BLOCK NO. DESCRIPTION					
			FROM	TO		
17	BOLT, FLANGE (6X12)		-----	-----	1 95701-06012-00	2105799
18	BOLT, FLANGE (6X40)		-----	-----	4 95701-06040-00	2410942
19	BOLT, FLANGE (6X50)		-----	-----	2 95701-06050-00	2410975
20	BOLT, FLANGE (6X60)		-----	-----	3 95701-06060-00	2791119
21	BOLT, FLANGE (6X65)		-----	-----	1 95701-06065-00	2552545
22	BOLT, FLANGE (6X70)		-----	-----	1 95701-06070-00	2427284
23	BOLT, FLANGE (10X55)		-----	-----	2 95701-10055-00	4124749
24	BOLT, FLANGE (10X65)		-----	-----	1 95701-10065-00	3936937
25	BOLT, FLANGE (10X75)		-----	-----	2 95701-10075-00	2552594

VFR800F1'98		AREA CODE	ENGINE SERIAL NUMBER	QTY REQ	PART NUMBER	HONDA CODE
Ref. No.	BLOCK NO. DESCRIPTION					
			FROM	TO		

# CONTENTS

TITLE	PAGE	GRID
AIR CLEANER	82	E7
AIR SUCTION VALVE	41	C8
ALTERNATOR	17	B8
BATTERY	100	F4
BRAKE CALIPER, FR.	61	D8
BRAKE CALIPER, RR.	69	D12
CAMSHAFT	8	B4
CAUTION LABEL	120	G2
CLUTCH	14	B7
CLUTCH MASTER CYLINDER	53	D4
COMBINATION LIGHT, RR.	98	F3
COWL, LOWER	116	F12
COWL, RR.	80	E6
COWL, UPPER	114	F11
CRANKCASE	23	B11
CRANKCASE COVER, L.	18	B9
CRANKCASE COVER, R.	13	B6
CRANKSHAFT	26	C1
CYLINDER HEAD COVER	2	B1
CYLINDER HEAD FRONT	3	B1
CYLINDER HEAD REAR	5	B2
DELAY VALVE	52	D4
EVAP CANISTER	118	G1
FENDER, FR.	58	D7
FENDER, RR.	95	F1
FORK, FR.	59	D7
FR. BRAKE MASTER CYLINDER	50	D3
FRAME	106	F7
FUEL TANK	74	E3
GASKET KIT A	42	C9
GASKET KIT B	44	C10
GEARSHIFT DRUM	32	C4
HANDLE SWITCH	49	D2
HANDLEBAR	55	D5
HEADLIGHT	46	D1
IGNITION COIL	104	F6
METER	47	D1
MUFFLER	84	E8
OIL COOLER	108	F8
OIL PUMP	21	B10
PEDAL	86	E9
PROPORTIONING VALVE	68	D12
PULSE ALTERNATOR	16	B8
RADIATOR	111	F9
RR. BRAKE MASTER CYLINDER	65	D10
SEAT	78	E5
SHOCK ABSORBER, RR.	94	F1
STAND	90	E11
STARTER MOTOR	20	B10
STEERING STEM	57	D6
STEP	87	E9
SWINGARM	92	E12
THROTTLE BODY ASSY.	36	C6
THROTTLE BODY COMP.	40	C8
THROTTLE BODY TUBING	38	C7
TOOLS	109	F8
TRANSMISSION	29	C2
TURN SIGNAL	97	F2
WATER PUMP	34	C5
WHEEL, FR.	64	D10
WHEEL, RR.	71	E1
WIRE HARNESS	101	F4

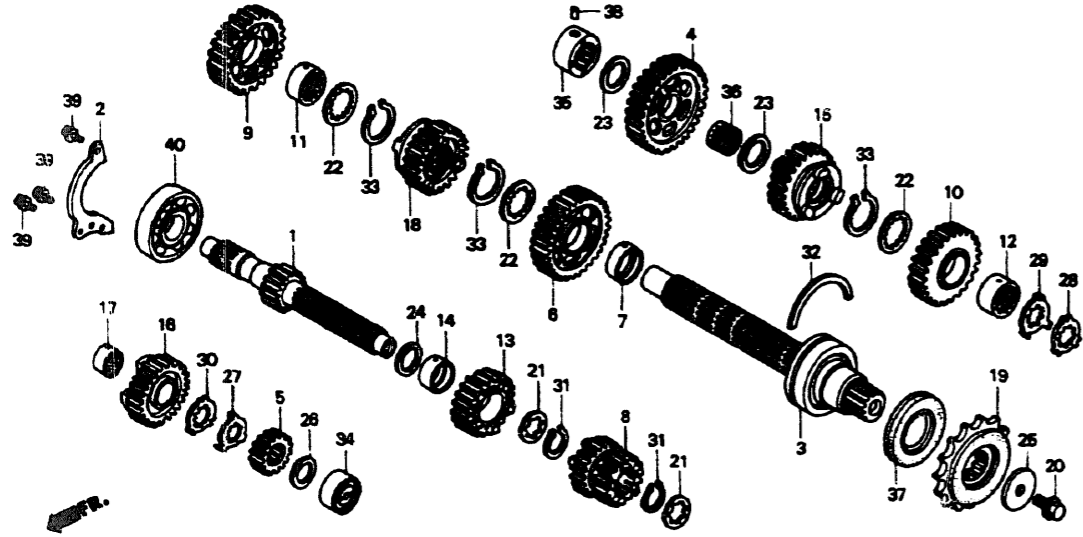
GRID

**B12**





# TRANSMISSION



MBG4E1300

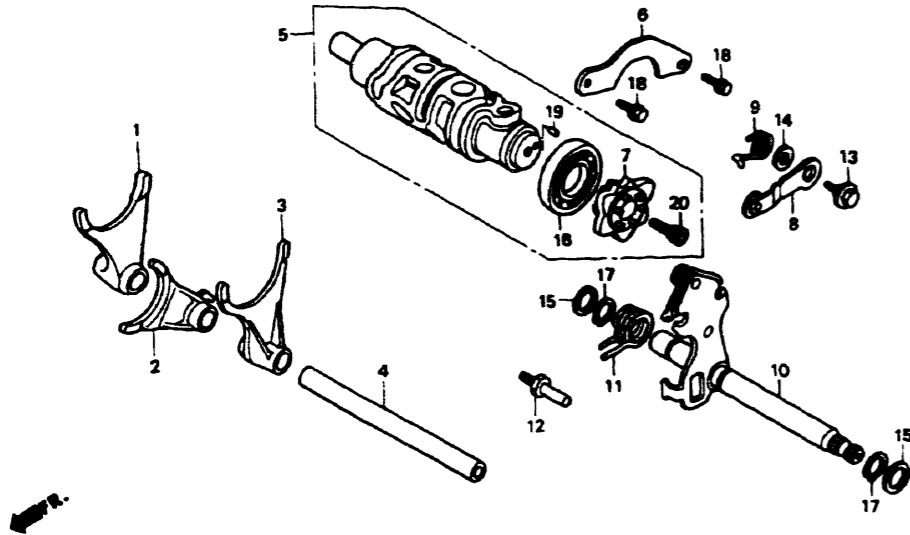
VFR800F1'98		AREA CODE	ENGINE SERIAL NUMBER	QTY REQ	PART NUMBER	HONDA CODE
Ref. No.	BLOCK NO. DESCRIPTION					
			FROM	TO		
16	GEAR, MAINSHAFT SIXTH (28T) .....		-----	-----	1 23511-MBG-000	5740279
17	COLLAR, SPLINE (25X16) .....		-----	-----	1 23512-MR7-000	3447372
18	GEAR, COUNTERSHAFT SIXTH (29T) ..		-----	-----	1 23521-MBG-000	5740287
19	SPROCKET, DRIVE (17T) .....		-----	-----	1 23801-MAT-000	5213954
20	BOLT, SPECIAL (10MM) .....		-----	-----	1 90037-422-003	1053032
21	WASHER, SPLINE (25X31X1.5) .....		-----	-----	2 90451-KY2-000	3039740
22	WASHER, SPLINE (28X34X1.5) .....		-----	-----	3 90452-MR7-000	3141686
23	WASHER B, THRUST (22MM) .....		-----	-----	2 90455-ML7-000	2408631
24	WASHER, THRUST (25MM) .....		-----	-----	1 90456-MA6-000	1395482
25	WASHER (10.2MM) .....		-----	-----	1 90459-438-000	0814046
26	WASHER A, THRUST (20MM) .....		-----	-----	1 90461-MC7-000	1215888
27	WASHER, LOCK (25MM) .....		-----	-----	1 90462-MR7-000	2866424
28	WASHER, SPLINE (28MM) .....		-----	-----	1 90463-MR7-000	3453446
29	WASHER, LOCK (28MM) .....		-----	-----	1 90464-MR7-000	3453453
30	WASHER, SPLINE (25MM) .....		-----	-----	1 90465-MR7-000	2866432
31	CIRCLIP (25MM) .....		-----	-----	2 90601-107-000	0248740

VFR800F1'98		AREA CODE	ENGINE SERIAL NUMBER	QTY REQ	PART NUMBER	HONDA CODE
Ref. No.	BLOCK NO. DESCRIPTION					
			FROM	TO		
32	RING, SET (68MM) .....		-----	-----	1 90602-MR7-000	3453578
33	CIRCLIP (28MM) .....		-----	-----	3 90602-MM5-000	2552024
	CIRCLIP (28MM) .....		-----	-----	3 90603-MM4-000	2545002
34	BEARING, NEEDLE (20MM) .....		-----	-----	1 91021-MM4-003	4485652
35	BEARING, NEEDLE (22MM) .....		-----	-----	1 91023-MM4-003	4485678
36	BEARING, NEEDLE (22X26X11) .....		-----	-----	1 91026-MB4-003	1431451
37	OIL SEAL (40X68X7.2) (ARAI) .....		-----	-----	1 91207-MR7-003	3453867
38	PIN, DOWEL (8X10) .....		-----	-----	1 94302-08100	0440479
39	BOLT, FLANGE (6X14) .....		-----	-----	3 95701-06014-00	2410884
40	BEARING, RADIAL BALL (6305) .....		-----	-----	1 96100-63050-00	0674408

# CONTENTS

TITLE	PAGE	GRID
AIR CLEANER	82	E7
AIR SUCTION VALVE	41	C8
ALTERNATOR	17	B8
BATTERY	100	F4
BRAKE CALIPER, FR.	61	D8
BRAKE CALIPER, RR.	69	D12
CAMSHAFT	8	B4
CAUTION LABEL	120	G2
CLUTCH	14	B7
CLUTCH MASTER CYLINDER	53	D4
COMBINATION LIGHT, RR.	98	F3
COWL, LOWER	116	F12
COWL, RR.	80	E6
COWL, UPPER	114	F11
CRANKCASE	23	B11
CRANKCASE COVER, L.	18	B9
CRANKCASE COVER, R.	13	B6
CRANKSHAFT	26	C1
CYLINDER HEAD COVER	2	B1
CYLINDER HEAD FRONT	3	B1
CYLINDER HEAD REAR	5	B2
DELAY VALVE	52	D4
EVAP CANISTER	118	G1
FENDER, FR.	58	D7
FENDER, RR.	95	F1
FORK, FR.	59	D7
FR. BRAKE MASTER CYLINDER	50	D3
FRAME	106	F7
FUEL TANK	74	E3
GASKET KIT A	42	C9
GASKET KIT B	44	C10
GEARSHIFT DRUM	32	C4
HANDLE SWITCH	49	D2
HANDLEBAR	55	D5
HEADLIGHT	46	D1
IGNITION COIL	104	F6
METER	47	D1
MUFFLER	84	E8
OIL COOLER	108	F8
OIL PUMP	21	B10
PEDAL	86	E9
PROPORTIONING VALVE	68	D12
PULSE ALTERNATOR	16	B8
RADIATOR	111	F9
RR. BRAKE MASTER CYLINDER	65	D10
SEAT	78	E5
SHOCK ABSORBER, RR.	94	F1
STAND	90	E11
STARTER MOTOR	20	B10
STEERING STEM	57	D6
STEP	87	E9
SWINGARM	92	E12
THROTTLE BODY ASSY.	36	C6
THROTTLE BODY COMP.	40	C8
THROTTLE BODY TUBING	38	C7
TOOLS	109	F8
TRANSMISSION	29	C2
TURN SIGNAL	97	F2
WATER PUMP	34	C5
WHEEL, FR.	64	D10
WHEEL, RR.	71	E1
WIRE HARNESS	101	F4

# GEARSHIFT DRUM



MBG4E1400

VFR800F1'98		AREA CODE	ENGINE SERIAL NUMBER	QTY REQ	PART NUMBER	HONDA CODE
Ref. No.	BLOCK NO. E-14 DESCRIPTION					
1	FORK, R. GEARSHIFT .....			1	24211-MBG-000	5740295
2	FORK C, GEARSHIFT .....			1	24212-MBG-000	5740303
3	FORK, L. GEARSHIFT .....			1	24213-MBG-000	5740311
4	SHAFT, GEARSHIFT FORK .....			1	24261-MW4-000	4483103
5	DRUM COMP., GEARSHIFT .....			1	24310-MBG-000	5740329
6	PLATE, DRUM SETTING .....			1	24315-KE8-000	1763648
7	CENTER COMP., SHIFT DRUM .....			1	24315-MW0-791	4229720
8	STOPPER COMP., GEARSHIFT DRUM ...			1	24430-GB2-710	4483137
9	SPRING, DRUM STOPPER .....			1	24435-MW4-000	4483145
10	SPINDLE COMP., GEARSHIFT .....			1	24610-MBG-000	5740337
11	SPRING, SHIFT RETURN .....			1	24651-MBB-000	5363288
12	PIN, SHIFT RETURN SPRING .....			1	24652-035-000	0070698
13	PIVOT, SHIFT DRUM STOPPER ARM ....			1	90022-MG8-000	2045862
14	WASHER, DRUM STOPPER .....			1	90417-360-000	0341099
15	WASHER (14MM) .....			2	90451-155-000	1032143
16	BEARING, BALL (16005) (NTN CORP.)			1	91008-374-003	0362855

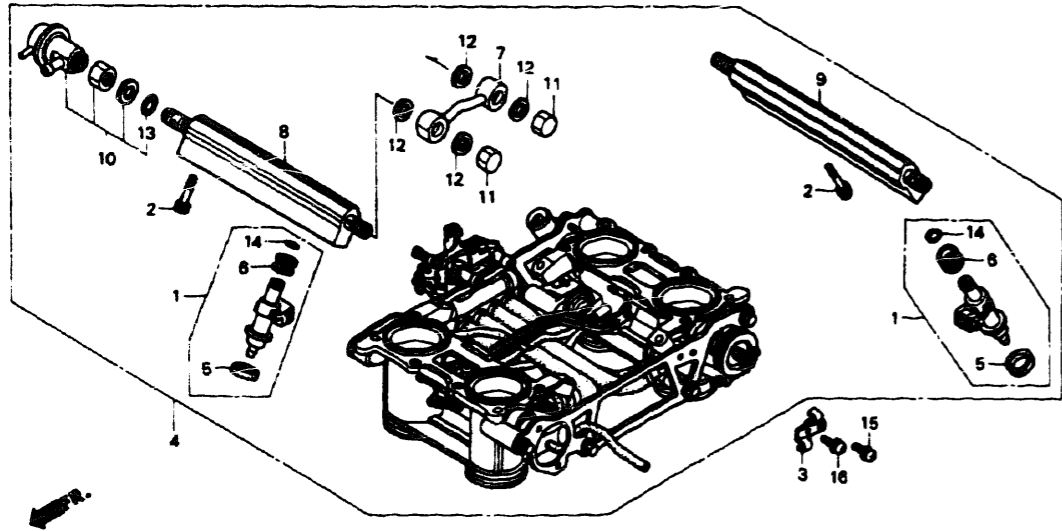
VFR800F1'98		AREA CODE	ENGINE SERIAL NUMBER	QTY REQ	PART NUMBER	HONDA CODE
Ref. No.	BLOCK NO. E-14 DESCRIPTION					
	17 CIRCLIP (OUTER) (14MM) .....			2	94510-14000	0213389
	18 BOLT, FLANGE (6X14) .....			2	95701-06014-00	2410884
	19 ROLLER (4X8) .....			1	96220-40080	1357383
	20 BOLT, SOCKET (8X20) .....			1	96600-08020-10	4046967

# CONTENTS

TITLE	PAGE	GRID
AIR CLEANER	82	E7
AIR SUCTION VALVE	41	C8
ALTERNATOR	17	B8
BATTERY	100	F4
BRAKE CALIPER, FR.	61	D8
BRAKE CALIPER, RR.	69	D12
CAMSHAFT	8	B4
CAUTION LABEL	120	G2
CLUTCH	14	B7
CLUTCH MASTER CYLINDER	53	D4
COMBINATION LIGHT, RR.	98	F3
COWL, LOWER	116	F12
COWL, RR.	80	E6
COWL, UPPER	114	F11
CRANKCASE	23	B11
CRANKCASE COVER, L.	18	B9
CRANKCASE COVER, R.	13	B6
CRANKSHAFT	26	C1
CYLINDER HEAD COVER	2	B1
CYLINDER HEAD FRONT	3	B1
CYLINDER HEAD REAR	5	B2
DELAY VALVE	52	D4
EVAP CANISTER	118	G1
FENDER, FR.	58	D7
FENDER, RR.	95	F1
FORK, FR.	59	D7
FR. BRAKE MASTER CYLINDER	50	D3
FRAME	106	F7
FUEL TANK	74	E3
GASKET KIT A	42	C9
GASKET KIT B	44	C10
GEARSHIFT DRUM	32	C4
HANDLE SWITCH	49	D2
HANDLEBAR	55	D5
HEADLIGHT	46	D1
IGNITION COIL	104	F6
METER	47	D1
MUFFLER	84	E8
OIL COOLER	108	F8
OIL PUMP	21	B10
PEDAL	86	E9
PROPORTIONING VALVE	68	D12
PULSE ALTERNATOR	16	B8
RADIATOR	111	F9
RR. BRAKE MASTER CYLINDER	65	D10
SEAT	78	E5
SHOCK ABSORBER, RR.	94	F1
STAND	90	E11
STARTER MOTOR	20	B10
STEERING STEM	57	D6
STEP	87	E9
SWINGARM	92	E12
THROTTLE BODY ASSY.	36	C6
THROTTLE BODY COMP.	40	C8
THROTTLE BODY TUBING	38	C7
TOOLS	109	F8
TRANSMISSION	29	C2
TURN SIGNAL	97	F2
WATER PUMP	34	C5
WHEEL, FR.	64	D10
WHEEL, RR.	71	E1
WIRE HARNESS	101	F4



# THROTTLE BODY ASSY.



MBG4E1600

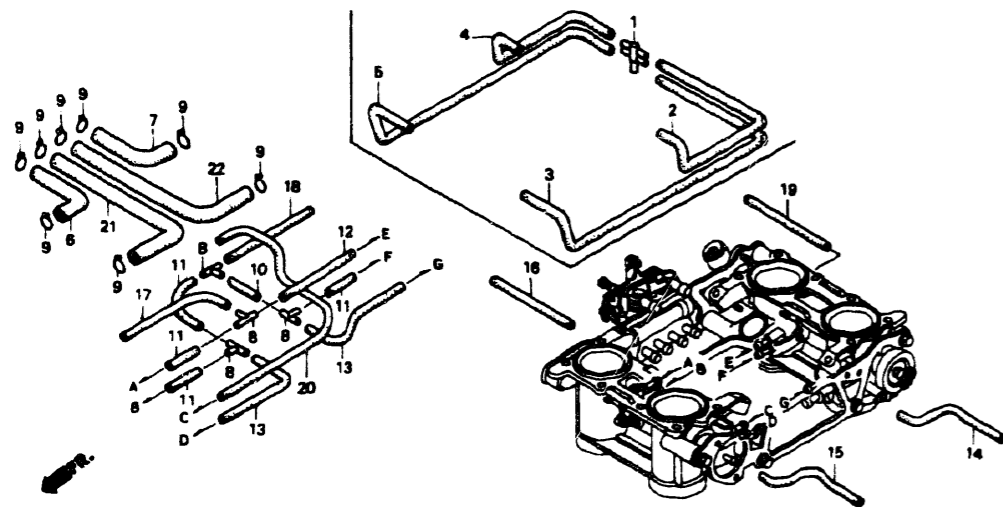
VFR800F1'98		AREA CODE	ENGINE SERIAL NUMBER	QTY REQ	PART NUMBER	HONDA CODE
Ref. No.	BLOCK NO. DESCRIPTION					
			FROM	TO		
1	GASKET SET, INJECTOR		-----	-----	4 06164-PCA-000	5738471
2	BOLT		-----	-----	4 16080-MBG-000	5739040
3	STAY, WIRE		-----	-----	1 16119-ML5-004	2533347
4	BODY ASSY., THROTTLE (GQ30A) ...	A	-----	-----	1 16400-MBG-000	5739180
	BODY ASSY., THROTTLE (GQ30B) ...	AC	-----	-----	1 16400-MBG-770	5739198
5	SEAL RING, INJECTOR		-----	-----	8 16472-PH7-003	2335867
6	RUBBER RING, INJECTOR		-----	-----	8 16473-PD6-000	1855576
7	PIPE COMP., FUEL FEED		-----	-----	1 16527-MBG-000	5739230
8	PIPE COMP., FR. FUEL		-----	-----	1 16610-MBG-000	5739248
9	PIPE COMP., RR. FUEL		-----	-----	1 16620-MBG-000	5739255
10	REGULATOR ASSY., PRESSURE		-----	-----	1 16740-MBG-003	5739339
11	NUT A, SEALING (12MM)		-----	-----	2 90201-PD1-000	1868967
12	WASHER, SEALING (12MM)		-----	-----	4 90428-PD6-003	2128429
13	O-RING		-----	-----	1 91301-PM5-A01	2710820
14	O-RING (7.3X2.2)		-----	-----	8 91301-PM7-003	4258976
15	SCREW-WASHER (4X8)		-----	-----	1 93892-04008-10	1171826

VFR800F1'98		AREA CODE	ENGINE SERIAL NUMBER	QTY REQ	PART NUMBER	HONDA CODE
Ref. No.	BLOCK NO. DESCRIPTION					
			FROM	TO		
	16 SCREW-WASHER (5X8) .....		-----	-----	1 93892-05008-10	1171867

# CONTENTS

TITLE	PAGE	GRID
AIR CLEANER	82	E7
AIR SUCTION VALVE	41	C8
ALTERNATOR	17	B8
BATTERY	100	F4
BRAKE CALIPER, FR.	61	D8
BRAKE CALIPER, RR.	69	D12
CAMSHAFT	8	B4
CAUTION LABEL	120	G2
CLUTCH	14	B7
CLUTCH MASTER CYLINDER	53	D4
COMBINATION LIGHT, RR.	98	F3
COWL, LOWER	116	F12
COWL, RR.	80	E6
COWL, UPPER	114	F11
CRANKCASE	23	B11
CRANKCASE COVER, L.	18	B9
CRANKCASE COVER, R.	13	B6
CRANKSHAFT	26	C1
CYLINDER HEAD COVER	2	B1
CYLINDER HEAD FRONT	3	B1
CYLINDER HEAD REAR	5	B2
DELAY VALVE	52	D4
EVAP CANISTER	118	G1
FENDER, FR.	58	D7
FENDER, RR.	95	F1
FORK, FR.	59	D7
FR. BRAKE MASTER CYLINDER	50	D3
FRAME	106	F7
FUEL TANK	74	E3
GASKET KIT A	42	C9
GASKET KIT B	44	C10
GEARSHIFT DRUM	32	C4
HANDLE SWITCH	49	D2
HANDLEBAR	55	D5
HEADLIGHT	46	D1
IGNITION COIL	104	F6
METER	47	D1
MUFFLER	84	E8
OIL COOLER	108	F8
OIL PUMP	21	B10
PEDAL	86	E9
PROPORTIONING VALVE	66	D12
PULSE ALTERNATOR	16	B8
RADIATOR	111	F9
RR. BRAKE MASTER CYLINDER	65	D10
SEAT	78	E5
SHOCK ABSORBER, RR.	94	F1
STAND	90	E11
STARTER MOTOR	20	B10
STEERING STEM	57	D6
STEP	87	E9
SWINGARM	92	E12
THROTTLE BODY ASSY.	36	C6
THROTTLE BODY COMP.	40	C8
THROTTLE BODY TUBING	38	C7
TOOLS	109	F8
TRANSMISSION	29	C2
TURN SIGNAL	97	F2
WATER PUMP	34	C5
WHEEL, FR.	64	D10
WHEEL, RR.	71	E1
WIRE HARNESS	101	F4

# THROTTLE BODY TUBING



MBG4E1601

VFR800F1'98		A R E A  C O D E	ENGINE SERIAL NUMBER		Q T Y  R E Q	PART NUMBER	HONDA CODE
Ref. No.	BLOCK NO. E-16-1 DESCRIPTION		FROM	TO			
1	JOINT (T)	AC	-----	-----	1	16180-ME5-761	1669258
2	TUBE	AC	-----	-----	1	16191-MBG-770	5739107
3	TUBE	AC	-----	-----	1	16192-MBG-770	5739115
4	TUBE	AC	-----	-----	1	16193-MBG-770	5739123
5	TUBE	AC	-----	-----	1	16194-MBG-770	5739131
6	TUBE		-----	-----	1	16198-MBG-000	5739149
7	TUBE		-----	-----	1	16199-MBG-000	5739156
8	JOINT, VACUUM TUBE (A)		-----	-----	4	17201-MG9-000	1523992
9	CLIP, TUBE (B12.5)		-----	-----	8	95002-02139	4199832
10	BULK HOSE, VACUUM (3.5X1000) (3.5X40)		-----	-----	1	95005-35001-20M	5137153
11	BULK HOSE, VACUUM (3.5X1000) (3.5X50)		-----	-----	4	95005-35001-20M	5137153
12	BULK HOSE, VACUUM (3.5X1000) (3.5X80)		-----	-----	1	95005-35001-20M	5137153
13	BULK HOSE, VACUUM (3.5X1000) (3.5X100)		-----	-----	2	95005-35001-20M	5137153

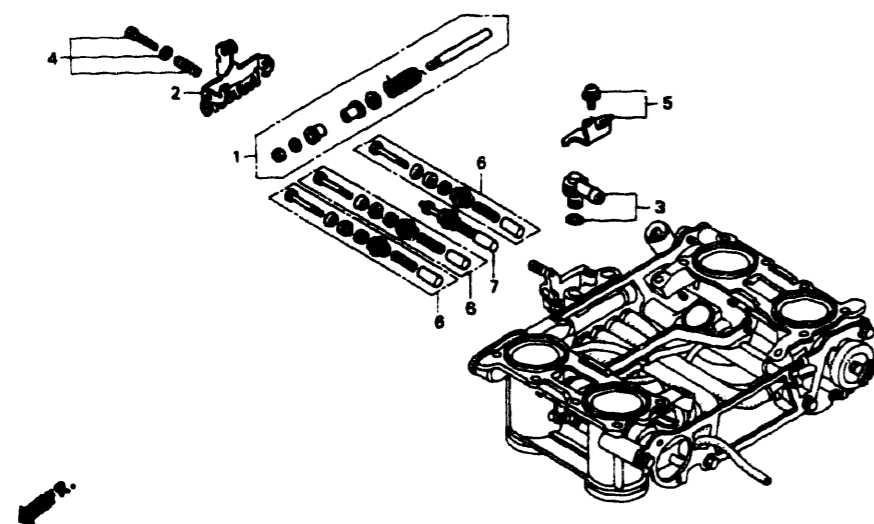
VFR800F1'98		A R E A  C O D E	ENGINE SERIAL NUMBER		Q T Y  R E Q	PART NUMBER	HONDA CODE
Ref. No.	BLOCK NO. E-16-1 DESCRIPTION		FROM	TO			
14	BULK HOSE, VACUUM (3.5X8000) (3.5X180)	A	-----	-----	1	95005-35008-10M	2325058
15	BULK HOSE, VACUUM (3.5X8000) (3.5X180)	A	-----	-----	1	95005-35008-10M	2325058
16	BULK HOSE, VACUUM (3.5X8000) (3.5X180)	A	-----	-----	1	95005-35008-10M	2325058
17	BULK HOSE, VACUUM (3.5X1000) (3.5X180)		-----	-----	1	95005-35001-20M	5137153
18	BULK HOSE, VACUUM (3.5X1000) (3.5X200)		-----	-----	1	95005-35001-20M	5137153
19	BULK HOSE, VACUUM (3.5X8000) (3.5X220)	A	-----	-----	1	95005-35008-10M	2325058
20	BULK HOSE, VACUUM (3.5X1000) (3.5X240)		-----	-----	1	95005-35001-20M	5137153
21	TUBE (8X160) (BULK HOSE: 95005-80001-20M)		-----	-----	1	95005-80160-20	0631374
22	TUBE (8X170) (BULK HOSE: 95005-80001-20M)		-----	-----	1	95005-80170-20	0753129

# CONTENTS

TITLE	PAGE	GRID
AIR CLEANER	82	E7
AIR SUCTION VALVE	41	C8
ALTERNATOR	17	B8
BATTERY	100	F4
BRAKE CALIPER, FR.	61	D8
BRAKE CALIPER, RR.	69	D12
CAMSHAFT	8	B4
CAUTION LABEL	120	G2
CLUTCH	14	B7
CLUTCH MASTER CYLINDER	53	D4
COMBINATION LIGHT, RR.	98	F3
COWL, LOWER	116	F12
COWL, RR.	80	E6
COWL, UPPER	114	F11
CRANKCASE	23	B11
CRANKCASE COVER, L.	18	B9
CRANKCASE COVER, R.	13	B6
CRANKSHAFT	26	C1
CYLINDER HEAD COVER	2	B1
CYLINDER HEAD FRONT	3	B1
CYLINDER HEAD REAR	5	B2
DELAY VALVE	52	D4
EVAP CANISTER	118	G1
FENDER, FR.	58	D7
FENDER, RR.	95	F1
FORK, FR.	59	D7
FR. BRAKE MASTER CYLINDER	50	D3
FRAME	106	F7
FUEL TANK	74	E3
GASKET KIT A	42	C9
GASKET KIT B	44	C10
GEARSHIFT DRUM	32	C4
HANDLE SWITCH	49	D2
HANDLEBAR	55	D5
HEADLIGHT	46	D1
IGNITION COIL	104	F8
METER	47	D1
MUFFLER	84	E8
OIL COOLER	108	F8
OIL PUMP	21	B10
PEDAL	86	E9
PROPORTIONING VALVE	68	D12
PULSE ALTERNATOR	16	B8
RADIATOR	111	F9
RR. BRAKE MASTER CYLINDER	65	D10
SEAT	78	E5
SHOCK ABSORBER, RR.	94	F1
STAND	80	E11
STARTER MOTOR	20	B10
STEERING STEM	57	D6
STEP	87	E9
SWINGARM	92	E12
THROTTLE BODY ASSY.	36	C6
THROTTLE BODY COMP.	40	C8
THROTTLE BODY TUBING	38	C7
TOOLS	109	F8
TRANSMISSION	29	C2
TURN SIGNAL	97	F2
WATER PUMP	34	C5
WHEEL, FR.	64	D10
WHEEL, RR.	71	E1
WIRE HARNESS	101	F4

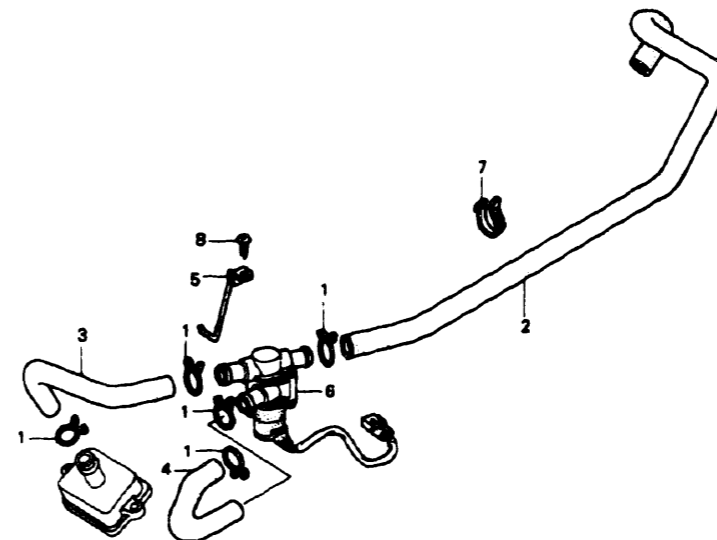


# THROTTLE BODY COMP.



MBG4E1602

# AIR SUCTION VALVE



MBG4E1700

# CONTENTS

TITLE	PAGE	GRID
AIR CLEANER	82	E7
AIR SUCTION VALVE	41	C8
ALTERNATOR	17	B8
BATTERY	100	F4
BRAKE CALIPER, FR.	61	D8
BRAKE CALIPER, RR.	69	D12
CAMSHAFT	8	B4
CAUTION LABEL	120	G2
CLUTCH	14	B7
CLUTCH MASTER CYLINDER	53	D4
COMBINATION LIGHT, RR.	98	F3
COWL, LOWER	116	F12
COWL, RR.	80	E6
COWL, UPPER	114	F11
CRANKCASE	23	B11
CRANKCASE COVER, L.	18	B9
CRANKCASE COVER, R.	13	B6
CRANKSHAFT	26	C1
CYLINDER HEAD COVER	2	B1
CYLINDER HEAD FRONT	3	B1
CYLINDER HEAD REAR	5	B2
DELAY VALVE	52	D4
EVAP CANISTER	118	G1
FENDER, FR.	58	D7
FENDER, RR.	95	F1
FORK, FR.	59	D7
FR. BRAKE MASTER CYLINDER	50	D3
FRAME	106	F7
FUEL TANK	74	E3
GASKET KIT A	42	C9
GASKET KIT B	44	C10
GEARSHIFT DRUM	32	C4
HANDLE SWITCH	49	D2
HANDLEBAR	55	D5
HEADLIGHT	46	D1
IGNITION COIL	104	F6
METER	47	D1
MUFFLER	84	E8
OIL COOLER	108	F8
OIL PUMP	21	B10
PEDAL	86	E9
PROPORTIONING VALVE	68	D12
PULSE ALTERNATOR	16	B8
RADIATOR	111	F9
RR. BRAKE MASTER CYLINDER	65	D10
SEAT	78	E5
SHOCK ABSORBER, RR.	94	F1
STAND	90	E11
STARTER MOTOR	20	B10
STEERING STEM	57	D6
SWINGARM	87	E9
THROTTLE BODY ASSY.	36	C6
THROTTLE BODY COMP.	40	C8
THROTTLE BODY TUBING	38	C7
TOOLS	109	F8
TRANSMISSION	29	C2
TURN SIGNAL	97	F2
WATER PUMP	34	C5
WHEEL, FR.	64	D10
WHEEL, RR.	71	E1
WIRE HARNESS	101	F4

Ref. No.	BLOCK NO. E-16-2 DESCRIPTION	AREA CODE	ENGINE SERIAL NUMBER		QTY REQ	PART NUMBER	HONDA CODE
			FROM	TO			
1	SHAFT SET, STARTER		-----	-----	1	16017-MBG-000	5738984
2	LEVER SET, STARTER		-----	-----	1	16018-MBG-000	5738992
3	JOINT SET		-----	-----	2	16026-MR1-004	2852275
4	SCREW SET, STOP		-----	-----	1	16029-MBG-000	5739008
5	PLATE SET, STAY		-----	-----	1	16037-MBG-000	5739016
6	VALVE SET A, STARTER		-----	-----	3	16046-MBG-000	5739024
7	VALVE SET B, STARTER		-----	-----	1	16047-MBG-000	5739032

Ref. No.	BLOCK NO. E-17 DESCRIPTION	AREA CODE	ENGINE SERIAL NUMBER		QTY REQ	PART NUMBER	HONDA CODE
			FROM	TO			
1	CLIP, SUB-TANK HOSE		-----	-----	5	17724-102-700	0290213
2	TUBE A, AIR INJECTION CONTROL VALVE		-----	-----	1	18651-MBG-000	5739784
3	TUBE B, AIR INJECTION CONTROL VALVE		-----	-----	1	18652-MBG-000	5739792
4	TUBE C, AIR INJECTION CONTROL VALVE		-----	-----	1	18653-MBG-000	5739800
5	STAY, AIR INJECTION CONTROL VALVE		-----	-----	1	18654-MBG-000	5739818
6	VALVE ASSY., EX. AIR INJECTION		-----	-----	1	36450-MBG-003	5740808
7	BAND, WIRE		-----	-----	1	90650-KV6-003	2687788
8	SCREW, TAPPING (5X20)		-----	-----	1	93913-25520	4485793

# GASKET KIT A

VFR800F1'98								
Ref. No.	BLOCK NO. DESCRIPTION	EOP-1	AREA CODE	ENGINE SERIAL NUMBER		QTY REQ	PART NUMBER	HONDA CODE
				FROM	TO			
	GASKET KIT A .....		A	-----	-----	1	06111-MB6-000	5738455
	GASKET KIT A .....		AC	-----	-----	1	06111-MB6-610	5857909
1	SEAL, EX. VALVE STEM (ARAI) .....			-----	-----	8	12208-ML0-721	3465309
	SEAL, VALVE STEM (ARAI) .....			-----	-----	8	12209-ML0-722	2905024
2	GASKET, FR. CYLINDER HEAD .....			-----	-----	1	12251-MW4-000	4481412
3	GASKET, RR. CYLINDER HEAD .....			-----	-----	1	12252-MW4-000	4481438
4	GASKET, FR. CYLINDER HEAD COVER ..			-----	-----	1	12391-MB6-000	5738687
5	GASKET B, CYLINDER HEAD COVER ....			-----	-----	4	12394-MB6-000	5738695
6	GASKET, RR. CYLINDER HEAD COVER ..			-----	-----	1	12395-MB6-000	5738703
7	GASKET C, HEAD COVER .....			-----	-----	4	12396-MB6-000	5738711
8	GASKET, EX. PIPE .....			-----	-----	4	18291-MN5-650	3246535
9	GASKET, MUFFLER .....			-----	-----	1	18391-ML0-003	2540896
10	GASKET, MUFFLER .....		AC	-----	-----	2	18391-ML8-000	2152213
	GASKET, MUFFLER .....		A	-----	-----	2	18391-MN5-650	3467040
11	WASHER, SPECIAL (12MM) .....			-----	-----	1	90454-MC7-000	1210848
12	WASHER C, THRUST (20MM) .....			-----	-----	8	90463-MC7-000	1215904

VFR800F1'98								
Ref. No.	BLOCK NO. DESCRIPTION	EOP-1	AREA CODE	ENGINE SERIAL NUMBER		QTY REQ	PART NUMBER	HONDA CODE
				FROM	TO			
	13 RUBBER, SETTING .....			-----	-----	8	90543-MV9-670	3699139
	14 O-RING (11.1X3.5) .....			-----	-----	2	91255-MJ1-000	1694249
	15 O-RING (24.5X1.9) .....			-----	-----	4	91307-PY4-003	3676731
	16 O-RING (9.6X2.6) (ARAI) .....			-----	-----	2	91309-ML7-003	2408847
	17 O-RING (16X2.1) .....			-----	-----	1	91309-PX4-003	3301793
	18 O-RING (9.8X1.9) .....			-----	-----	4	91317-P4V-004	4906103

# CONTENTS

TITLE	PAGE	GRID
AIR CLEANER .....	82	E7
AIR SUCTION VALVE .....	41	C8
ALTERNATOR .....	17	B8
BATTERY .....	100	F4
BRAKE CALIPER, FR. ....	61	D8
BRAKE CALIPER, RR. ....	69	D12
CAMSHAFT .....	8	B4
CAUTION LABEL .....	120	G2
CLUTCH .....	14	B7
CLUTCH MASTER CYLINDER .....	53	D4
COMBINATION LIGHT, RR. ....	98	F3
COWL, LOWER .....	116	F12
COWL, FR. ....	80	E8
COWL, UPPER .....	114	F11
CRANKCASE .....	23	B11
CRANKCASE COVER, L. ....	18	B9
CRANKCASE COVER, R. ....	13	B6
CRANKSHAFT .....	26	C1
CYLINDER HEAD COVER .....	2	B1
CYLINDER HEAD FRONT .....	3	B1
CYLINDER HEAD REAR .....	5	B2
DELAY VALVE .....	52	D4
EVAP CANISTER .....	118	G1
FENDER, FR. ....	58	D7
FENDER, RR. ....	95	F1
FORK, FR. ....	59	D7
FR. BRAKE MASTER CYLINDER .....	50	D3
FRAME .....	106	F7
FUEL TANK .....	74	E3
GASKET KIT A .....	42	C9
GASKET KIT B .....	44	C10
GEARSHIFT DRUM .....	32	C4
HANDLE SWITCH .....	49	D2
HANDLEBAR .....	55	D5
HEADLIGHT .....	46	D1
IGNITION COIL .....	104	F6
METER .....	47	D1
MUFFLER .....	84	E8
OIL COOLER .....	108	F8
OIL PUMP .....	21	B10
PEDAL .....	86	E9
PROPORTIONING VALVE .....	68	D12
PULSE ALTERNATOR .....	16	B8
RADIATOR .....	111	F9
RR. BRAKE MASTER CYLINDER .....	65	D10
SEAT .....	78	E5
SHOCK ABSORBER, RR. ....	94	F1
STAND .....	90	E11
STARTER MOTOR .....	20	B10
STEERING STEM .....	57	D6
STEP .....	87	E9
SWINGARM .....	92	E12
THROTTLE BODY ASSY. ....	36	C6
THROTTLE BODY COMP. ....	40	C8
THROTTLE BODY TUBING .....	38	C7
TOOLS .....	109	F8
TRANSMISSION .....	29	C2
TURN SIGNAL .....	97	F2
WATER PUMP .....	34	C5
WHEEL, FR. ....	64	D10
WHEEL, RR. ....	71	E1
WIRE HARNESS .....	101	F4

# GASKET KIT B

VFR800F1'98

Ref. BLOCK NO. EOP-2  
No. DESCRIPTION

14 O-RING .....  
15 O-RING (47.5X2) .....  
16 O-RING (14.7X2.2) (ARAI) .....  
O-RING (14.8X2.2) .....  
17 O-RING (21.2X2.4) (ARAI) .....  
18 WASHER, DRAIN PLUG (12MM) .....

A  
R  
E  
A  
C  
O  
D  
E

ENGINE  
SERIAL NUMBER

FROM TO

Q  
T  
Y  
R  
E  
Q

PART NUMBER

HONDA  
CODE

1 91309-MA6-000 1243922  
1 91311-KE8-000 1400258  
1 91313-MB0-003 1260868  
1 91313-MG7-004 3353620  
2 91331-PC9-003 1352517  
1 94109-12000 0171868

NOILL

VFR800F1'98

A  
R  
E  
A  
C  
O  
D  
E

ENGINE  
SERIAL NUMBER

FROM TO

Q  
T  
Y  
R  
E  
Q

PART NUMBER

HONDA  
CODE

GASKET KIT B ..... 1 06112-MBG-000 5738463  
1 GASKET, R. COVER ..... 1 11394-MBG-000 5738604  
2 GASKET, CHANGE COVER ..... 1 11632-MW4-000 4481321  
3 GASKET, ALTERNATOR COVER ..... 1 11636-MBG-000 5738612  
4 GASKET, OIL STRAINER ..... 1 15154-MM5-000 2547255  
5 GASKET, WATER PUMP COVER ..... 1 19226-ML7-000 2409563  
6 GASKET, SLAVE CYLINDER ..... 1 22862-MM7-650 3939824  
7 WASHER, SEALING (6.5MM) ..... 3 90463-ML7-000 2408680  
8 WASHER, OIL BOLT ..... 1 90545-300-000 0189902  
9 O-RING (48.1X3.6) (ARAI) ..... 1 91301-ML7-003 2408805  
10 O-RING (22X3.0) ..... 1 91301-250-000 0035287  
O-RING (22X3.0) ..... 1 91307-425-003 1216126  
11 O-RING (32.95X2.62) (ARAI) ..... 1 91302-MB0-013 1435114  
12 O-RING (14.8X2.4) ..... 2 91303-KF0-003 1521087  
O-RING (14.8X2.4) (NOK) ..... 2 91356-MA6-005 1377704  
13 O-RING (23X2.4) ..... 2 91304-GC8-003 1452002

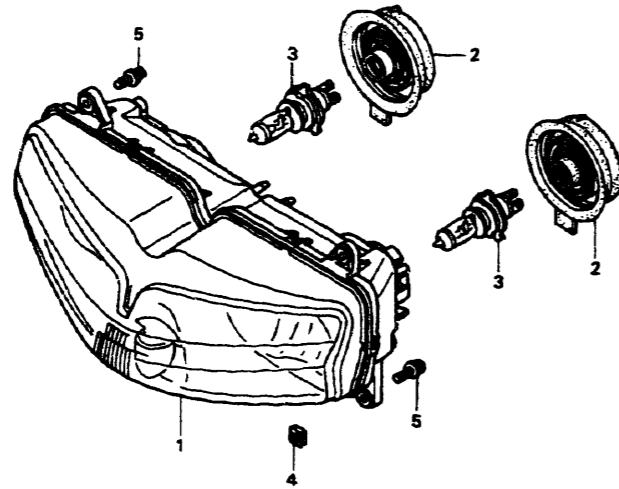
# CONTENTS

TITLE	PAGE	GRID
AIR CLEANER	82	E7
AIR SUCTION VALVE	41	C8
ALTERNATOR	17	B8
BATTERY	100	F4
BRAKE CALIPER, FR.	61	D8
BRAKE CALIPER, RR.	69	D12
CAMSHAFT	8	B4
CAUTION LABEL	120	G2
CLUTCH	14	B7
CLUTCH MASTER CYLINDER	53	D4
COMBINATION LIGHT, RR.	98	F3
COWL, LOWER	116	F12
COWL, RR.	80	E6
COWL, UPPER	114	F11
CRANKCASE	23	B11
CRANKCASE COVER, L.	18	B9
CRANKCASE COVER, R.	13	B6
CRANKSHAFT	26	C1
CYLINDER HEAD COVER	2	B1
CYLINDER HEAD FRONT	3	B1
CYLINDER HEAD REAR	5	B2
DELAY VALVE	52	D4
EVAP CANISTER	118	G1
FENDER, FR.	58	D7
FENDER, RR.	95	F1
FORK, FR.	59	D7
FR. BRAKE MASTER CYLINDER	50	D3
FRAME	106	F7
FUEL TANK	74	E3
GASKET KIT A	42	C8
GASKET KIT B	44	C10
GEARSHIFT DRUM	32	C4
HANDLE SWITCH	49	D2
HANDLEBAR	55	D5
HEADLIGHT	46	D1
IGNITION COIL	104	F6
METER	47	D1
MUFFLER	84	E8
OIL COOLER	108	F8
OIL PUMP	21	B10
PEDAL	86	E9
PROPORTIONING VALVE	68	D12
PULSE ALTERNATOR	16	B8
RADIATOR	111	F9
RR. BRAKE MASTER CYLINDER	65	D10
SEAT	78	E5
SHOCK ABSORBER, RR.	94	F1
STAND	90	E11
STARTER MOTOR	20	B10
STEERING STEM	57	D6
STEP	87	E9
SWINGARM	92	E12
THROTTLE BODY ASSY.	36	C6
THROTTLE BODY COMP.	40	C8
THROTTLE BODY TUBING	38	C7
TOOLS	109	F8
TRANSMISSION	29	C2
TURN SIGNAL	97	F2
WATER PUMP	34	C5
WHEEL, FR.	64	D10
WHEEL, RR.	71	E1
WIRE HARNESS	101	F4

GRID

**C10**

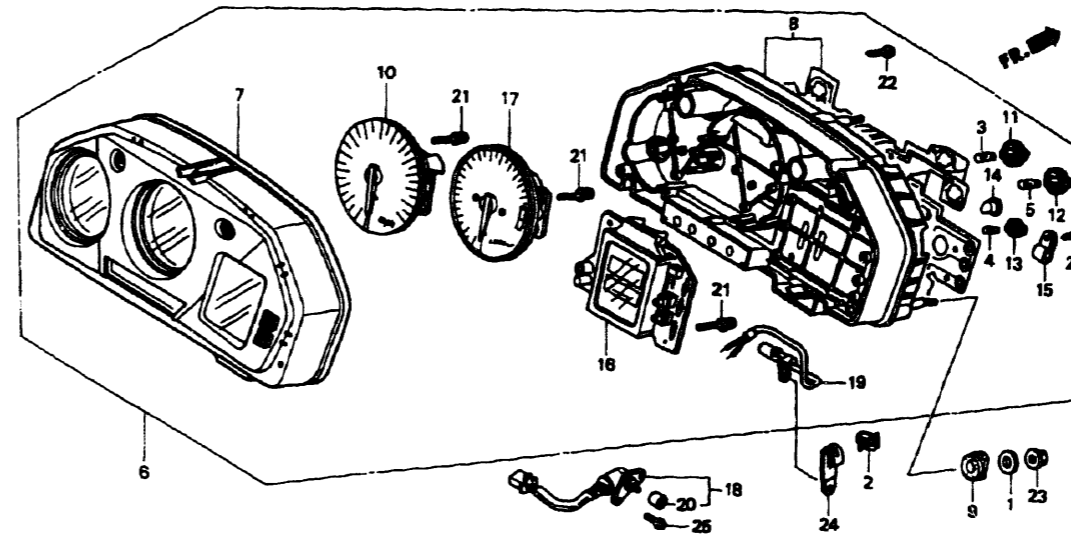
# HEADLIGHT



MBG4F0100

VFR800F1'98	AREA CODE	FRAME SERIAL NUMBER		QTY REQ	PART NUMBER	HONDA CODE
		FROM	TO			
1 UNIT COMP., HEADLIGHT .....		-----	-----	1	33102-MBG-651	5740618
2 COVER, RUBBER .....		-----	-----	2	33112-MM5-601	2549558
3 BULB, HEADLIGHT (12V 45/45W) ....		-----	-----	2	34901-MS2-671	3387719
4 NUT, CLIP (5MM) .....		-----	-----	4	90677-GR1-003	2502318
5 SCREW-WASHER (5X22) .....		-----	-----	4	93894-05022-07	2723955

# METER



MBG4F0200

VFR800F1'98	AREA CODE	FRAME SERIAL NUMBER		QTY REQ	PART NUMBER	HONDA CODE
		FROM	TO			
1 WASHER, PIVOT .....		-----	-----	3	17936-921-000	0283556
2 CLIP, IGNITION WIRE .....		-----	-----	1	30701-883-000	0636787
3 BULB, WEDGE BASE (12V 3.4W) .....		-----	-----	2	34908-6A7-701	1084672
BULB (12V3.4W) (158) .....		-----	-----	2	37102-567-009	0846436
BULB (14V3.4W) (NS) .....		-----	-----	2	37237-SA5-003	1294925
BULB (12V3.4W) (158) .....		-----	-----	2	37237-SA5-004	1294966
4 BULB, WEDGE BASE (12V 1.7W) .....		-----	-----	4	34908-MG9-951	1920164
5 BULB, WEDGE BASE (12V 1.7W) (STANLEY) .....		-----	-----	5	34909-KW3-003	3029725
6 METER ASSY., COMBINATION .....		-----	-----	1	37100-MBG-671	5740824
7 CASE ASSY. (UPPER) .....		-----	-----	1	37102-MBG-671	5740832
8 CASE ASSY. (LOWER) .....		-----	-----	1	37103-MBG-003	5740840
9 RUBBER, METER SETTING .....		-----	-----	3	37109-MBG-000	5740865
10 SPEEDOMETER ASSY. ....		-----	-----	1	37200-MBG-601	5740881
11 SOCKET ASSY. ....		-----	-----	2	37205-MBG-003	5740899
12 SOCKET ASSY. ....		-----	-----	5	37204-MBG-003	5858030

© AMERICAN HONDA MOTOR CO., INC. 1998 47

# CONTENTS

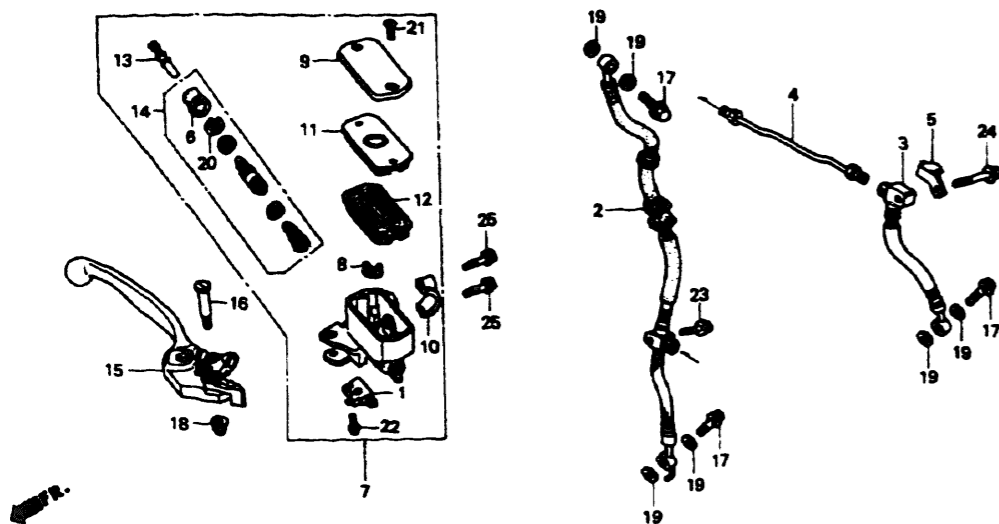
TITLE	PAGE	GRID
AIR CLEANER .....	82	E7
AIR SUCTION VALVE .....	41	C8
ALTERNATOR .....	17	B8
BATTERY .....	100	F4
BRAKE CALIPER, FR. ....	61	D8
BRAKE CALIPER, RR. ....	69	D12
CAMSHAFT .....	8	B4
CAUTION LABEL .....	120	G2
CLUTCH .....	14	B7
CLUTCH MASTER CYLINDER .....	53	D4
COMBINATION LIGHT, RR. ....	98	F3
COWL, LOWER .....	116	F12
COWL, RR. ....	80	E6
COWL, UPPER .....	114	F11
CRANKCASE .....	23	B11
CRANKCASE COVER, L. ....	18	B9
CRANKCASE COVER, R. ....	13	B6
CRANKSHAFT .....	26	C1
CYLINDER HEAD COVER .....	2	B1
CYLINDER HEAD FRONT .....	3	B1
CYLINDER HEAD REAR .....	5	B2
DELAY VALVE .....	52	D4
EVAP CANISTER .....	118	G1
FENDER, FR. ....	58	D7
FENDER, RR. ....	95	F1
FORK, FR. ....	59	D7
FR. BRAKE MASTER CYLINDER .....	50	D3
FRAME .....	106	F7
FUEL TANK .....	74	E3
GASKET KIT A .....	42	C9
GASKET KIT B .....	44	C16
GEARSHIFT DRUM .....	32	C4
HANDLE SWITCH .....	49	D2
HANDLEBAR .....	55	D5
HEADLIGHT .....	46	D1
IGNITION COIL .....	104	F6
METER .....	47	D1
MUFFLER .....	84	E8
OIL COOLER .....	108	F8
OIL PUMP .....	21	B10
PEDAL .....	86	E9
PROPORTIONING VALVE .....	68	D12
PULSE ALTERNATOR .....	16	B8
RADIATOR .....	111	F9
RR. BRAKE MASTER CYLINDER .....	65	D10
SEAT .....	78	E5
SHOCK ABSORBER, RR. ....	94	F1
STAND .....	90	E11
STARTER MOTOR .....	20	B10
STEERING STEM .....	57	D6
STEP .....	87	E9
SWINGARM .....	92	E12
THROTTLE BODY ASSY. ....	36	C6
THROTTLE BODY COMP. ....	40	C8
THROTTLE BODY TUBING .....	38	C7
TOOLS .....	109	F8
TRANSMISSION .....	29	C2
TURN SIGNAL .....	97	F2
WATER PUMP .....	34	C5
WHEEL, FR. ....	64	D10
WHEEL, RR. ....	71	E1
WIRE HARNESS .....	101	F4

GRID

**D1**



# FR. BRAKE MASTER CYLINDER



MBG4F0400

VFR800F1'98		AREA CODE	FRAME SERIAL NUMBER	QTY REQ	PART NUMBER	HONDA CODE
Ref. No.	BLOCK NO. DESCRIPTION					
			FROM	TO		
1	SWITCH ASSY., FR. STOP				35340-MM5-600	2542421
2	HOSE, R. FR. BRAKE MAIN				45124-MBG-003	5741335
3	HOSE, L. FR. BRAKE MAIN				45125-MBG-003	5741343
4	PIPE, BRAKE JOINT MAIN				45130-MBG-000	5741392
5	CLAMP, SECOND MASTER CYLINDER HOSE				45158-MBG-000	5741459
6	BOOT COMP.				45504-410-003	1211820
7	MASTER CYLINDER SUB-ASSY., FR. (NISSIN)				45510-MAJ-641	4980165
8	PROTECTOR				45512-MA6-006	1235688
9	CAP, MASTER CYLINDER (NISSIN)				45513-MM5-006	2550317
10	HOLDER, MASTER CYLINDER				45517-166-006	1082338
11	PLATE, DIAPHRAGM (NISSIN)				45518-MM5-006	2550325
12	DIAPHRAGM (NISSIN)				45520-MM5-006	2550333
13	ROD, PUSH				45525-MAJ-641	4980173
14	PISTON SET, FR. MASTER CYLINDER				45530-MAJ-641	4980181

VFR800F1'98		AREA CODE	FRAME SERIAL NUMBER	QTY REQ	PART NUMBER	HONDA CODE
Ref. No.	BLOCK NO. DESCRIPTION					
			FROM	TO		
15	LEVER ASSY., R. HANDLE				53170-MAT-006	5236237
16	BOLT, R. HANDLEBAR PIVOT				90114-MA5-671	0952416
17	BOLT, OIL (10X22)				90145-MS9-612	5369418
18	NUT, CAP (6MM)				90201-415-000	0670729
19	WASHER, OIL BOLT				90545-300-000	0189902
20	CIRCLIP				90651-MA5-671	1251404
21	SCREW, FLAT (4X12)				93600-04012-06	1218601
	SCREW, FLAT (4X12)				93600-04012-16	1237346
22	SCREW-WASHER (4X12)				93893-04012-07	1374008
	SCREW-WASHER (4X12)				93893-04012-17	1237353
23	BOLT, FLANGE (6X25)				95801-06025-07	3039765
24	BOLT, FLANGE (6X40)				95801-06040-07	3678356
25	BOLT, FLANGE (6X22)				96001-06022-07	2105971

# CONTENTS

TITLE	PAGE	GRID
AIR CLEANER	82	E7
AIR SUCTION VALVE	41	C8
ALTERNATOR	17	B8
BATTERY	100	F4
BRAKE CALIPER, FR.	61	D8
BRAKE CALIPER, RR.	69	D12
CAMSHAFT	8	B4
CAUTION LABEL	120	G2
CLUTCH	14	B7
CLUTCH MASTER CYLINDER	53	D4
COMBINATION LIGHT, RR.	96	F3
COWL, LOWER	116	F12
COWL, RR.	80	E8
COWL, UPPER	114	F11
CRANKCASE	23	B11
CRANKCASE COVER, L.	18	B9
CRANKCASE COVER, R.	13	B6
CRANKSHAFT	26	C1
CYLINDER HEAD COVER	2	B1
CYLINDER HEAD FRONT	3	B1
CYLINDER HEAD REAR	5	B2
DELAY VALVE	52	D4
EVAP CANISTER	118	G1
FENDER, FR.	58	D7
FENDER, RR.	95	F1
FORK, FR.	59	D7
FR. BRAKE MASTER CYLINDER	50	D3
FRAME	106	F7
FUEL TANK	74	E3
GASKET KIT A	42	C9
GASKET KIT B	44	C10
GEARSHIFT DRUM	32	C4
HANDLE SWITCH	49	D2
HANDLEBAR	55	D5
HEADLIGHT	46	D1
IGNITION COIL	104	F6
METER	47	D1
MUFFLER	84	E8
OIL COOLER	108	F8
OIL PUMP	21	B10
PEDAL	86	E9
PROPORTIONING VALVE	68	D12
PULSE ALTERNATOR	16	B8
RADIATOR	111	F9
RR. BRAKE MASTER CYLINDER	65	D10
SEAT	78	E5
SHOCK ABSORBER, RR.	94	F1
STAND	90	E11
STARTER MOTOR	20	B10
STEERING STEM	57	D6
STEP	87	E9
SWINGARM	92	E12
THROTTLE BODY ASSY.	36	C6
THROTTLE BODY COMP.	40	C8
THROTTLE BODY TUBING	38	C7
TOOLS	109	F8
TRANSMISSION	29	C2
TURN SIGNAL	97	F2
WATER PUMP	34	C5
WHEEL, FR.	64	D10
WHEEL, RR.	71	E1
WIRE HARNESS	101	F4

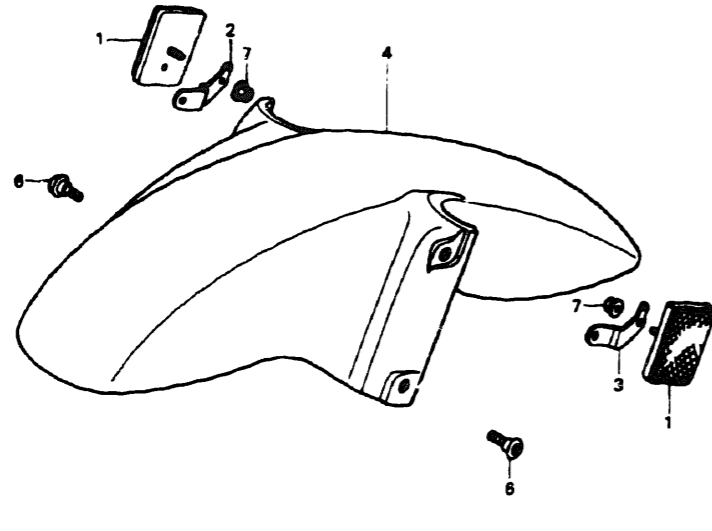








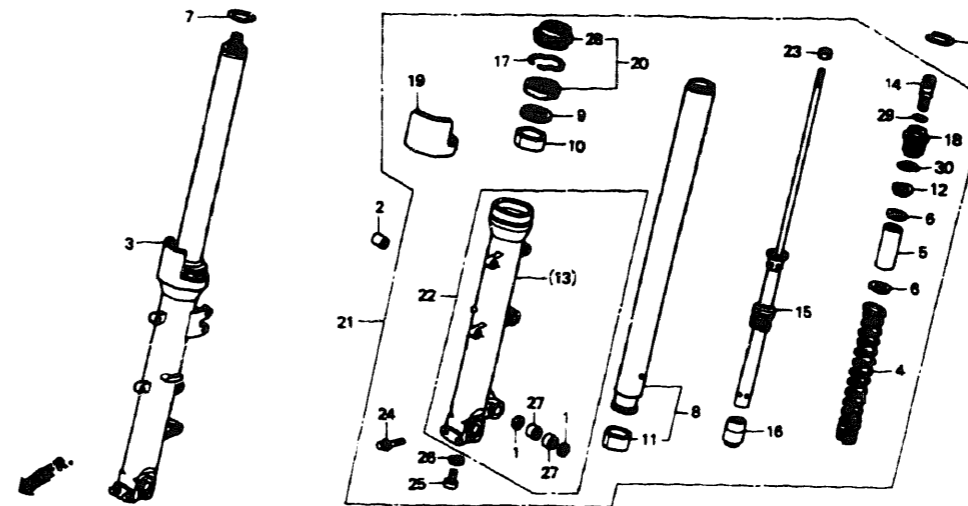
# FRONT FENDER



MBG4F0900A

VFR800F'98		AREA CODE	FRAME SERIAL NUMBER		QTY REQ	PART NUMBER	HONDA CODE
Ref. No.	BLOCK NO. F-9 DESCRIPTION		FROM	TO			
1	REFLECTOR, FR. REFLEX .....		-----	-----	2	33741-MB2-671	1429042
2	STAY, R. FR. REFLECTOR .....		-----	-----	1	33742-MBG-670	5740642
3	STAY, L. FR. REFLECTOR .....		-----	-----	1	33743-MBG-670	5740659
4	FENDER, FR. *R157* (ITALIAN RED) .....		-----	-----	1	61100-MBG-000ZB	5741921
6	SCREW, SPECIAL (6MM) .....		-----	-----	4	90106-KCZ-000	4774329
7	NUT, FLANGE (5MM) .....		-----	-----	2	94050-05070	3062031

# FRONT FORK



MBG4F1000

VFR800F'98		AREA CODE	FRAME SERIAL NUMBER		QTY REQ	PART NUMBER	HONDA CODE
Ref. No.	BLOCK NO. F-10 DESCRIPTION		FROM	TO			
1	DUST SEAL, BRAKE CAM .....		-----	-----	2	45134-KB7-005	1221399
2	COLLAR, PIVOT .....		-----	-----	1	45452-MZ2-000	4181392
3	FORK ASSY., R. FR. ....		-----	-----	1	51400-MBG-003	5741723
4	SPRING, FR. FORK .....		-----	-----	2	51401-MBG-003	5741731
5	COLLAR, SPRING (SHOWA) .....		-----	-----	2	51402-MS2-003	3375623
6	SEAT, SPRING .....		-----	-----	4	51403-KF0-003	1419316
7	RING, STOPPER .....		-----	-----	2	51405-MB4-003	1390608
8	PIPE COMP., FR. FORK .....		-----	-----	2	51410-MBG-003	5741749
9	RING, BACK-UP .....		-----	-----	2	51412-MB4-003	1390624
10	BUSH, GUIDE (SHOWA) .....		-----	-----	2	51414-KCR-003	5046206
11	BUSH, SLIDER (SHOWA) .....		-----	-----	2	51415-KCR-003	5046214
12	SEAT, SPRING (SHOWA) .....		-----	-----	2	51415-MS2-003	3375649
13	CASE, R. (LOWER) .....		-----	-----	1	51420-MBG-003	5741756
14	ADJUSTER, SPRING (SHOWA) .....		-----	-----	2	51422-KV3-831	3991601
15	DAMPER COMP., FR. ....		-----	-----	2	51430-MBG-003	5741764
16	PIECE, OIL LOCK (SHOWA) .....		-----	-----	2	51432-MS2-003	3375672

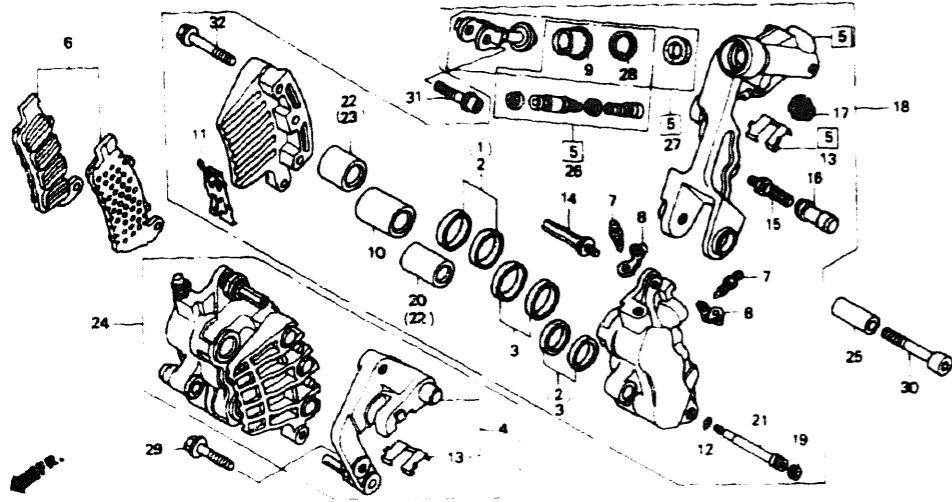
AMERICAN HONDA MOTOR CO., INC. 1998 59

# CONTENTS

TITLE	PAGE	GRID
AIR CLEANER	82	E7
AIR SUCTION VALVE	41	C8
ALTERNATOR	17	B8
BATTERY	100	F4
BRAKE CALIPER, FR.	61	D8
BRAKE CALIPER, RR.	68	D12
CAMSHAFT	8	B4
CAUTION LABEL	120	G2
CLUTCH	14	B7
CLUTCH MASTER CYLINDER	53	D4
COMBINATION LIGHT, RR.	88	F3
COWL, LOWER	116	F12
COWL, RR.	80	E6
COWL, UPPER	114	F11
CRANKCASE	23	B11
CRANKCASE COVER, L.	18	B9
CRANKCASE COVER, R.	13	B6
CRANKSHAFT	26	C1
CYLINDER HEAD COVER	2	B1
CYLINDER HEAD FRONT	3	B1
CYLINDER HEAD REAR	5	B2
DELAY VALVE	52	D4
EVAP CANISTER	118	G1
FENDER, FR.	58	D7
FENDER, RR.	95	F1
FORK, FR.	59	D7
FR. BRAKE MASTER CYLINDER	50	D3
FRAME	106	F7
FUEL TANK	74	E3
GASKET KIT A	42	C9
GASKET KIT B	44	C10
GEARSHIFT DRUM	32	C4
HANDLE SWITCH	49	D2
HANDLEBAR	55	D5
HEADLIGHT	46	D1
IGNITION COIL	104	F6
METER	47	D1
MUFFLER	84	E8
OIL COOLER	108	F8
OIL PUMP	21	B10
PEDAL	85	E9
PROPORTIONING VALVE	68	D12
PULSE ALTERNATOR	16	B8
RADIATOR	111	F9
RR. BRAKE MASTER CYLINDER	65	D10
SEAT	78	E5
SHOCK ABSORBER, RR.	94	F1
STAND	90	E11
STARTER MOTOR	20	B10
STEERING STEM	57	D6
STEP	87	E9
SWINGARM	92	E12
THROTTLE BODY ASSY.	36	C6
THROTTLE BODY COMP.	40	C8
THROTTLE BODY TUBING	38	C7
TOOLS	109	F8
TRANSMISSION	29	C2
TURN SIGNAL	97	F2
WATER PUMP	34	C5
WHEEL, FR.	64	D10
WHEEL, RR.	71	E1
WIRE HARNESS	101	F4



# FRONT BRAKE CALIPER



MBG4F1100A

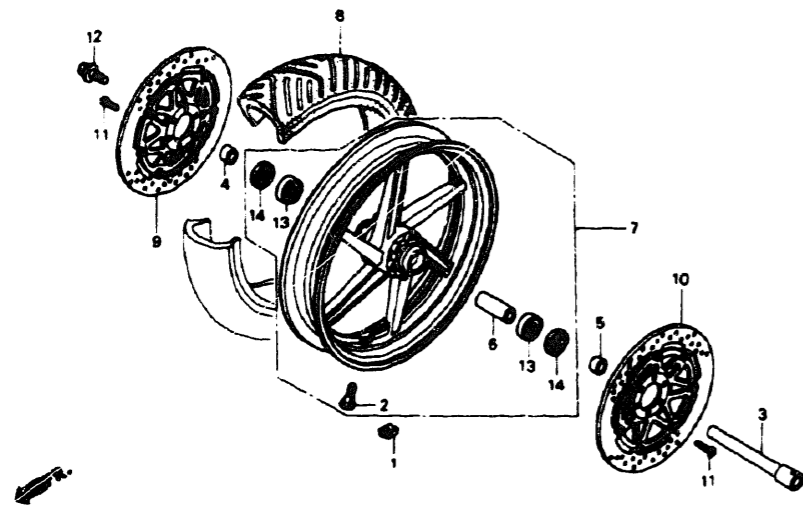
VFR800F1'98		AREA CODE	FRAME SERIAL NUMBER	QTY REQ	PART NUMBER	HONDA CODE
Ref. No.	BLOCK NO. DESCRIPTION					
17	BOOT (B)			2	45133-MA3-006	1012012
18	CALIPER SUB-ASSY., L. FR.			1	45150-MBG-006	5741434
19	PLUG, PIN			2	45203-MG3-016	3189743
20	PISTON (22X35) (B)			1	45207-MAJ-G41	4980058
21	PIN, HANGER			2	45215-MAJ-G41	4980074
22	PISTON B (25X35)			2	45217-MAJ-G41	4980082
23	PISTON B (27X35)			1	45218-MAJ-G41	4980090
24	CALIPER SUB-ASSY., R. FR.			1	45250-MAT-016	5687561
25	COLLAR, L. CALIPER BRACKET			1	45442-MAT-000	5214945
26	PISTON SET, SECOND MASTER CYLINDER			1	45620-MBG-006	5741483
27	JOINT SET, BRAKE ROD			1	45630-MBG-016	5818364
28	CIRCLIP			1	46182-500-013	0506139
29	BOLT, FLANGE (8X32)			2	90107-MT3-003	3487790
30	BOLT, SOCKET (8X48)			1	90132-MZ2-000	4182390
31	BOLT, FLANGE SOCKET (8X32)			1	90133-MAT-000	5216189

VFR800F1'98		AREA CODE	FRAME SERIAL NUMBER	QTY REQ	PART NUMBER	HONDA CODE
Ref. No.	BLOCK NO. DESCRIPTION					
	32 BOLT, FLANGE (8X45)			6	90135-MAJ-G41	4980744

# CONTENTS

TITLE	PAGE	GRID
AIR CLEANER	82	E7
AIR SUCTION VALVE	41	C8
ALTERNATOR	17	B8
BATTERY	100	F4
BRAKE CALIPER, FR.	61	D8
BRAKE CALIPER, RR.	69	D12
CAMSHAFT	8	B4
CAUTION LABEL	120	G2
CLUTCH	14	B7
CLUTCH MASTER CYLINDER	53	D4
COMBINATION LIGHT, RR.	98	F3
COWL, LOWER	116	F12
COWL, RR.	80	E6
COWL, UPPER	114	F11
CRANKCASE	23	B11
CRANKCASE COVER, L.	18	B9
CRANKCASE COVER, R.	13	B6
CRANKSHAFT	26	C1
CYLINDER HEAD COVER	2	B1
CYLINDER HEAD FRONT	3	B1
CYLINDER HEAD REAR	5	B2
DELAY VALVE	52	D4
EVAP CANISTER	118	G1
FENDER, FR.	58	D7
FENDER, RR.	95	F1
FORK, FR.	59	D7
FR. BRAKE MASTER CYLINDER	50	D3
FRAME	106	F7
FUEL TANK	74	E3
GASKET KIT A	42	C9
GASKET KIT B	44	C10
GEARSHIFT DRUM	32	C4
HANDLE SWITCH	49	D2
HANDLEBAR	55	D5
HEADLIGHT	46	D1
IGNITION COIL	104	F6
METER	47	D1
MUFFLER	84	E8
OIL COOLER	108	F8
OIL PUMP	21	B10
PEDAL	86	E9
PROPORTIONING VALVE	68	D12
PULSE ALTERNATOR	16	B8
RADIATOR	111	F9
RR. BRAKE MASTER CYLINDER	65	D10
SEAT	78	E5
SHOCK ABSORBER, RR.	94	F1
STAND	90	E11
STARTER MOTOR	20	B10
STEERING STEM	57	D6
STEP	87	E9
SWINGARM	92	E12
THROTTLE BODY ASSY.	31	C6
THROTTLE BODY COMP.	40	C8
THROTTLE BODY TUBING	38	C7
TOOLS	109	F8
TRANSMISSION	29	C2
TURN SIGNAL	97	F2
WATER PUMP	34	C5
WHEEL, FR.	64	D10
WHEEL, RR.	71	E1
WIRE HARNESS	101	F4

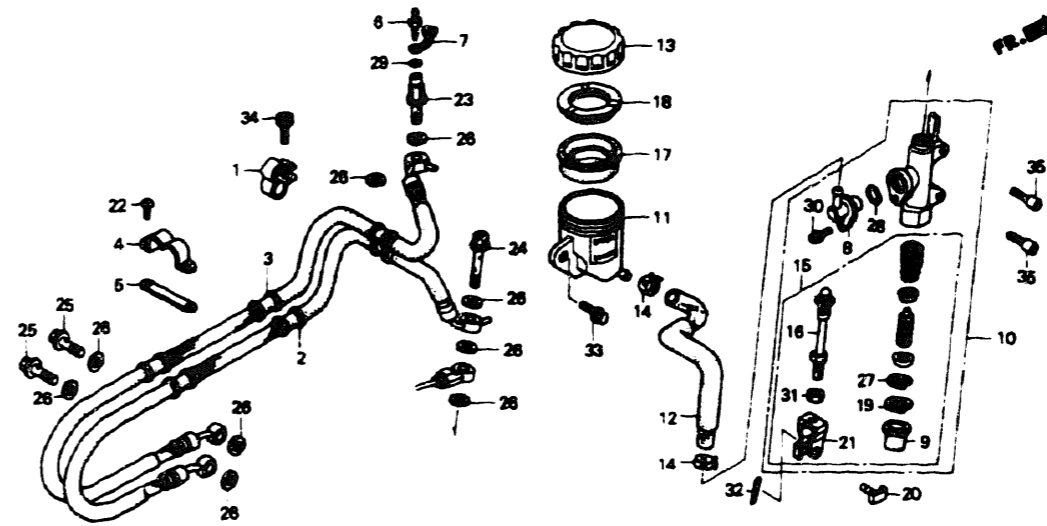
# FRONT WHEEL



MBG4F1200

VFR800F1'98		AREA CODE	QTY REQ	FRAME SERIAL NUMBER		PART NUMBER	HONDA CODE
Ref. No.	BLOCK NO. DESCRIPTION			FROM	TO		
	F-12						
1	WEIGHT, BALANCE (10G) .....		AR	42704-MB0-000		1272319	
	WEIGHT, BALANCE (20G) .....		AR	42705-MB0-000		1247881	
	WEIGHT, BALANCE (30G) .....		AR	42706-MB0-000		1247899	
2	VALVE, RIM (DUNLOP) .....		1	42753-ML7-004		2378453	
3	AXLE, FR. WHEEL .....		1	44301-MBG-000		5741277	
4	COLLAR, R. FR. WHEEL SIDE .....		1	44311-MAE-000		4516704	
5	COLLAR, FR. WHEEL SIDE .....		1	44311-MS2-000		3374824	
6	COLLAR, FR. AXLE DISTANCE .....		1	44620-MBG-000		5741285	
7	WHEEL SUB-ASSY., FR. ....		1	44650-MBG-000		5741293	
8	TIRE, FR. (120/70ZR17) (DUNLOP) ..		1	44711-MBB-004		5364005	
9	DISK COMP., R. FR. BRAKE .....		1	45120-MBG-003		5741327	
10	DISK COMP., L. FR. BRAKE .....		1	45220-MBG-003		5741467	
11	BOLT, BRAKE DISK (6X17) .....		12	90106-MBB-000		5365259	
12	BOLT, FR. AXLE .....		1	90305-ML7-000		2408540	
13	BEARING, RADIAL BALL (6204UU) ...		2	91052-MAE-004		4517710	
14	OIL SEAL (28X47.2X7) (ARAI) .....		2	91252-MC4-003		1223924	

# RR. BRAKE MASTER CYLINDER



MBG4F1300

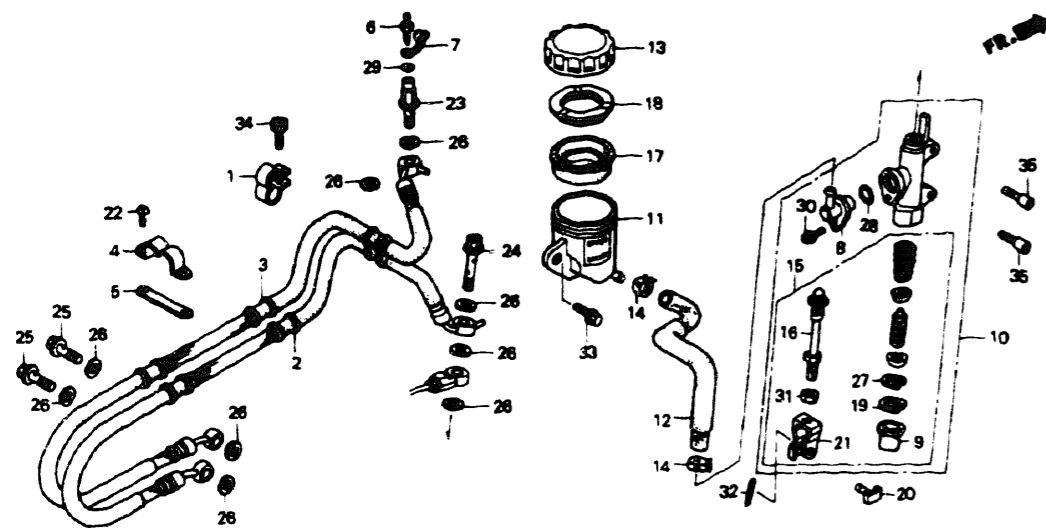
VFR800F1'98		AREA CODE	QTY REQ	FRAME SERIAL NUMBER		PART NUMBER	HONDA CODE
Ref. No.	BLOCK NO. DESCRIPTION			FROM	TO		
	F-13						
1	CLAMP, RR. BRAKE HOSE (A) .....		1	43156-MBG-000		5741145	
2	HOSE, RR. BRAKE MAIN .....		1	43310-MBG-003		5741178	
3	SUB-HOSE, RR. BRAKE .....		1	43311-MBG-003		5741186	
4	CLAMP, BRAKE HOSE .....		2	43312-MBG-000		5741194	
5	PLATE, BRAKE HOSE .....		2	43313-MBG-000		5741202	
6	SCREW, BLEEDER .....		1	43352-MG9-006		2457547	
7	CAP, BLEEDER SCREW .....		1	43353-MG9-006		2457554	
	CAP, BLEEDER SCREW .....		1	43353-443-761		1011873	
	CAP, BLEEDER SCREW .....		1	43353-461-771		0954230	
8	CONNECTOR, MASTER CYLINDER .....		1	43503-MB2-006		1429448	
9	BOOT COMP. ....		1	43504-MB2-006		1429455	
10	MASTER CYLINDER SUB-ASSY., RR. ...		1	43510-MBG-006		5741236	
11	CUP, MASTER CYLINDER OIL .....		1	43511-MA6-006		1544519	
12	HOSE, RR. MASTER CYLINDER .....		1	43512-MBG-006		5741244	
13	CAP, OIL CUP .....		1	43513-MY1-006		4181053	
14	CLAMP, MASTER CYLINDER OIL HOSE ..		2	43514-443-771		0817593	

AMERICAN HONDA MOTOR CO. INC 1998 65

# CONTENTS

TITLE	PAGE	GRID
AIR CLEANER	82	E7
AIR SUCTION VALVE	41	C8
ALTERNATOR	17	B8
BATTERY	100	F4
BRAKE CALIPER, FR.	61	D8
BRAKE CALIPER, RR.	69	D12
CAMSHAFT	8	B4
CAUTION LABEL	120	G2
CLUTCH	14	B7
CLUTCH MASTER CYLINDER	53	D4
COMBINATION LIGHT, RR.	98	F3
COWL, LOWER	116	F12
COWL, RR.	80	E6
COWL, UPPER	114	F11
CRANKCASE	23	B11
CRANKCASE COVER, L.	18	B9
CRANKCASE COVER, R.	13	B6
CRANKSHAFT	26	C1
CYLINDER HEAD COVER	2	B1
CYLINDER HEAD FRONT	3	B1
CYLINDER HEAD REAR	5	B2
DELAY VALVE	52	D4
EVAP CANISTER	118	G1
FENDER, FR.	58	D7
FENDER, RR.	95	F1
FORK, FR.	58	D7
FR. BRAKE MASTER CYLINDER	50	D3
FRAME	106	F7
FUEL TANK	74	E3
GASKET KIT A	42	C9
GASKET KIT B	44	C10
GEARSHIFT DRUM	32	C4
HANDLE SWITCH	49	D2
HANDLEBAR	55	D5
HEADLIGHT	46	D1
IGNITION COIL	104	F6
METER	47	D1
MUFFLER	84	E8
OIL COOLER	108	F8
OIL PUMP	21	B10
PEDAL	86	E9
PROPORTIONING VALVE	68	D12
PULSE ALTERNATOR	16	B8
RADIATOR	111	F9
RR. BRAKE MASTER CYLINDER	65	D10
SEAT	78	E5
SHOCK ABSORBER, RR.	94	F1
STAND	90	E11
STARTER MOTOR	20	B10
STEERING STEM	57	D6
SWEEP	87	E9
SWINGARM	92	E12
THROTTLE BODY ASSY	36	C6
THROTTLE BODY COMP	40	C8
THROTTLE BODY TUBING	38	C7
TOOLS	109	F8
TRANSMISSION	29	C2
TURN SIGNAL	97	F2
WATER PUMP	34	C5
WHEEL, FR.	64	D10
WHEEL, RR.	71	E1
WIRE HARNESS	101	F4

# RR. BRAKE MASTER CYLINDER



MBG4F1300

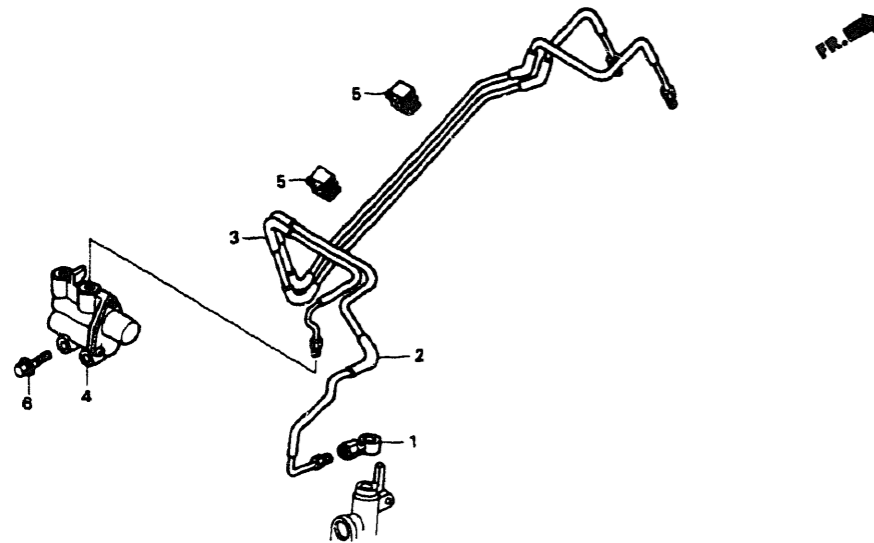
VFR800F1'98		AREA CODE	FRAME SERIAL NUMBER	QTY REQ	PART NUMBER	HONDA CODE
Ref. No.	BLOCK NO. DESCRIPTION					
	F-13		FROM TO			
	30 SCREW-WASHER (4X12) .....		-----	1	93893-04012-17	1237353
	31 NUT, HEX. (8MM) .....		-----	1	94002-08000-0S	0156075
	32 PIN, COTTER (2.0X12) .....		-----	1	94201-20120	0109579
	33 BOLT, FLANGE (6X20) .....		-----	1	95701-06020-07	2251288
	34 BOLT, SOCKET (6X20) .....		-----	1	96600-06020-07	3591898
	BOLT, SOCKET (6X20) .....		-----	1	96700-06020-07	2219814
	35 BOLT, SOCKET (6X25) .....		-----	2	96700-06025-00	2219822

VFR800F1'98		AREA CODE	FRAME SERIAL NUMBER	QTY REQ	PART NUMBER	HONDA CODE
Ref. No.	BLOCK NO. DESCRIPTION					
	F-13		FROM TO			
	15 PISTON SET, RR. MASTER CYLINDER ..		-----	1	43520-MBG-006	5741251
	16 ROD COMP., PUSH .....		-----	1	43530-MBG-006	5741269
	17 DIAPHRAGM .....		-----	1	45520-300-000	0194480
	18 PLATE, DIAPHRAGM .....		-----	1	45521-MJ6-006	1764968
	19 CIRCLIP .....		-----	1	46182-500-013	0506139
	20 PIN COMP., BRAKE ROD .....		-----	1	46503-MAL-000	4638698
	21 JOINT, BRAKE ROD .....		-----	1	46504-MAL-601	4638706
	22 SCREW, PAN (5X8) .....		-----	4	90115-KV3-700	4074571
	23 BOLT B, OIL (10X22) .....		-----	1	90145-MBG-003	5742697
	24 BOLT, OIL (10X34) .....		-----	1	90145-MR8-014	5646567
	25 BOLT, OIL (10X22) .....		-----	2	90145-MS <sup>c</sup> 612	5369418
	26 WASHER, OIL BOLT .....		-----	9	90545-300-000	0189902
	27 CIRCLIP, PISTON .....		-----	1	90651-MBG-006	5742754
	28 O-RING (14.8X2.4) .....		-----	1	91212-422-006	0693481
	29 O-RING (NISSIN) .....		-----	1	91355-MG9-006	2576320
	30 SCREW-WASHER (4X12) .....		-----	1	93893-04012-07	1374008

# CONTENTS

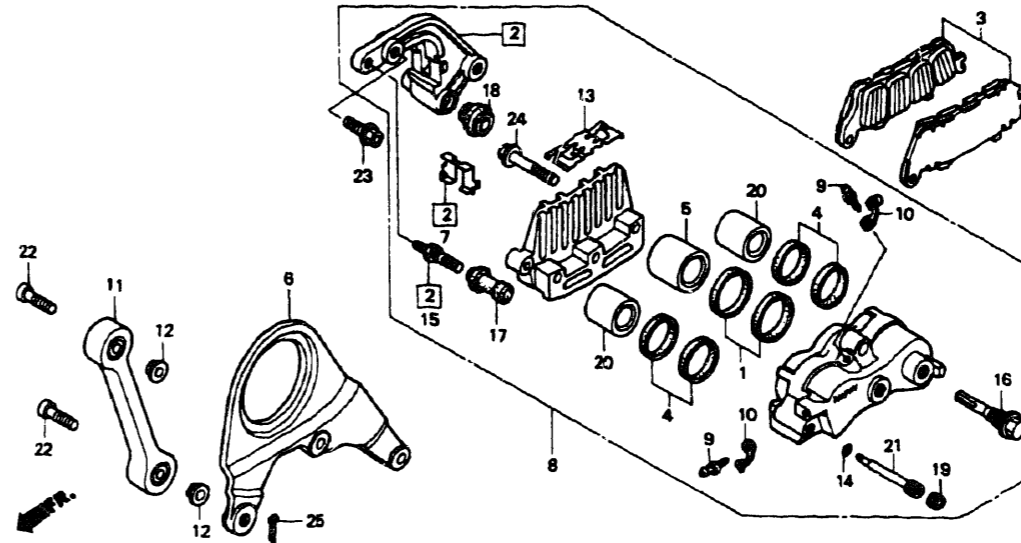
TITLE	PAGE	GRID
AIR CLEANER .....	82	E7
AIR SUCTION VALVE .....	41	C8
ALTERNATOR .....	17	B8
BATTERY .....	100	F4
BRAKE CALIPER, FR. ....	61	D8
BRAKE CALIPER, RR. ....	69	D12
CAMSHAFT .....	8	B4
CAUTION LABEL .....	120	G2
CLUTCH .....	14	B7
CLUTCH MASTER CYLINDER .....	53	D4
COMBINATION LIGHT, RR. ....	98	F3
COWL, LOWER .....	116	F12
COWL, FR. ....	80	E6
COWL, UPPER .....	114	F11
CRANKCASE .....	23	B11
CRANKCASE COVER, L. ....	18	B9
CRANKCASE COVER, R. ....	13	B6
CRANKSHAFT .....	26	C1
CYLINDER HEAD COVER .....	2	B1
CYLINDER HEAD FRONT .....	3	B1
CYLINDER HEAD REAR .....	5	B2
DELAY VALVE .....	52	D4
EVAP CANISTER .....	118	G1
FENDER, FR. ....	58	D7
FENDER, RR. ....	95	F1
FORK, FR. ....	59	D7
FR. BRAKE MASTER CYLINDER .....	50	D3
FRAME .....	106	F7
FUEL TANK .....	74	E3
GASKET KIT A .....	42	C9
GASKET KIT B .....	44	C10
GEARSHIFT DRUM .....	32	C4
HANDLE SWITCH .....	49	D2
HANDLEBAR .....	55	D5
HEADLIGHT .....	46	D1
IGNITION COIL .....	104	F6
METER .....	47	D1
MUFFLER .....	84	E8
OIL COOLER .....	108	F8
OIL PUMP .....	21	B10
PEDAL .....	86	E9
PROPORTIONING VALVE .....	68	D12
PULSE ALTERNATOR .....	16	B8
RADIATOR .....	111	F9
RR. BRAKE MASTER CYLINDER .....	65	D10
SEAT .....	78	E5
SHOCK ABSORBER, RR. ....	94	F1
STAND .....	90	E11
STARTER MOTOR .....	20	B10
STEERING STEM .....	57	D6
STEP .....	87	E9
SWINGARM .....	92	E12
THROTTLE BODY ASSY .....	36	C6
THROTTLE BODY COMP .....	40	C8
THROTTLE BODY TUBING .....	38	C7
TOOLS .....	109	F8
TRANSMISSION .....	29	C2
TURN SIGNAL .....	97	F2
WATER PUMP .....	34	C5
WHEEL, FR. ....	64	D10
WHEEL, RR. ....	71	E1
WIRE HARNESS .....	101	F4

# PROPORTIONING VALVE



MBG4F1400

# REAR BRAKE CALIPER



MBG4F1500

# CONTENTS

TITLE	PAGE	GRID
AIR CLEANER	82	E7
AIR SUCTION VALVE	41	C8
ALTERNATOR	17	B8
BATTERY	100	F4
BRAKE CALIPER, FR.	61	D8
BRAKE CALIPER, RR.	69	D12
CAMSHAFT	8	B4
CAUTION LABEL	120	G2
CLUTCH	14	B7
CLUTCH MASTER CYLINDER	53	D4
COMBINATION LIGHT, RR.	98	F3
COWL, LOWER	116	F12
COWL, RR.	80	E6
COWL, UPPER	114	F11
CRANKCASE	23	B11
CRANKCASE COVER, L.	18	B9
CRANKCASE COVER, R.	13	B6
CRANKSHAFT	26	C1
CYLINDER HEAD COVER	2	B1
CYLINDER HEAD FRONT	3	B1
CYLINDER HEAD REAR	5	B2
DELAY VALVE	52	D4
EVAP CANISTER	118	G1
FENDER, FR.	58	D7
FENDER, RR.	95	F1
FORK, FR.	59	D7
FR. BRAKE MASTER CYLINDER	50	D3
FRAME	106	F7
FUEL TANK	74	E3
GASKET KIT A	42	C9
GASKET KIT B	44	C10
GEARSHIFT DRUM	32	C4
HANDLE SWITCH	49	D2
HANDLEBAR	55	D5
HEADLIGHT	46	D1
IGNITION COIL	104	F6
METER	47	D1
MUFFLER	84	E8
OIL COOLER	108	F8
OIL PUMP	21	B10
PEDAL	86	E9
PROPORTIONING VALVE	68	D12
PULSE ALTERNATOR	16	B8
RADIATOR	111	F9
RR. BRAKE MASTER CYLINDER	65	D10
SEAT	78	E5
SHOCK ABSORBER, RR.	94	F1
STAND	90	E11
STARTER MOTOR	20	B10
STEERING STEM	57	D6
STEP	87	E9
SWINGARM	92	E12
THROTTLE BODY ASSY.	36	C6
THROTTLE BODY COMP.	40	C8
THROTTLE BODY TUBING	38	C7
TOOLS	109	F8
TRANSMISSION	29	C2
TURN SIGNAL	97	F2
WATER PUMP	34	C5
WHEEL, FR.	64	D10
WHEEL, RR.	71	E1
WIRE HARNESS	101	F4

VFR800F1'98		AREA CODE	FRAME SERIAL NUMBER		QTY REQ	PART NUMBER	HONDA CODE
Ref. No.	BLOCK NO. F-14 DESCRIPTION		FROM	TO			
1	JOINT, RR. MASTER CYLINDER PIPE ..		----	----	1	43321-MBG-003	5741210
2	PIPE, RR. MASTER CYLINDER JOINT ..		----	----	1	45132-MBG-000	5741418
3	PIPE, PCV JOINT .....		----	----	1	45133-MBG-000	5741426
4	VALVE ASSY., PROPORTIONING CONTROL .....		----	----	1	46200-MBG-006	5741509
5	CLAMP, BRAKE PIPE .....		----	----	2	90651-MAT-000	5216346
6	BOLT, FLANGE (6X35) .....		----	----	2	95701-06035-00	2105864

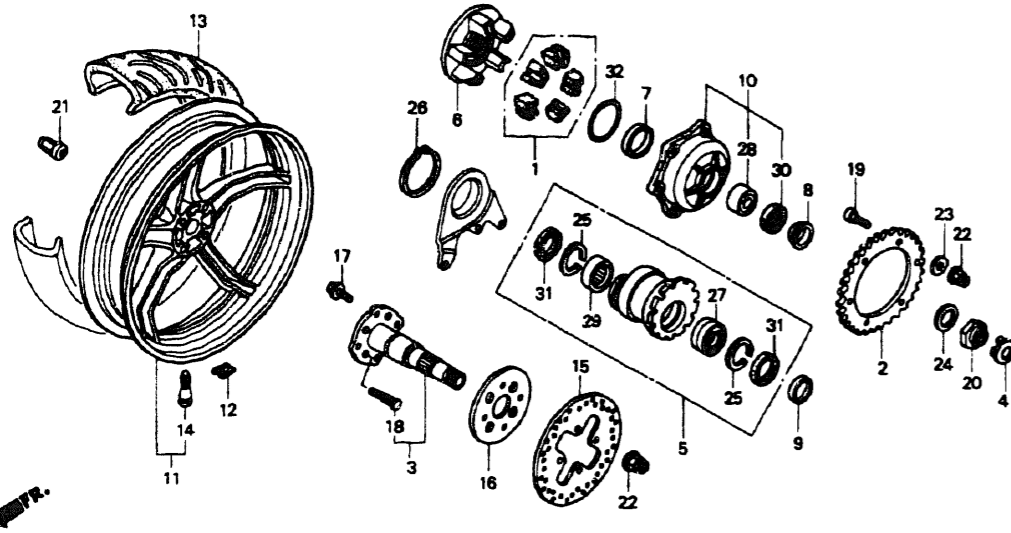
VFR800F1'98		AREA CODE	FRAME SERIAL NUMBER		QTY REQ	PART NUMBER	HONDA CODE
Ref. No.	BLOCK NO. F-15 DESCRIPTION		FROM	TO			
1	SEAL SET, PISTON .....		----	----	1	06431-MA3-405	4124277
2	BRACKET SUB-ASSY., RR. ....		----	----	1	06432-MBG-405	5738505
3	PAD SET, RR. ....		----	----	1	06435-MAT-006	5212188
4	SEAL SET, PISTON .....		----	----	2	06451-MZ2-405	4179362
5	PISTON (27X27) .....		----	----	1	43107-MBG-006	5741103
6	BRACKET, RR. BRAKE .....		----	----	1	43111-MBG-000	5741111
7	RETAINER, BRACKET .....		----	----	1	43112-MBG-006	5741129
8	CALIPER SUB-ASSY., RR. BRAKE ....		----	----	1	43150-MBG-006	5741137
9	SCREW, BLEEDER .....		----	----	2	43352-568-003	0505735
10	CAP, BLEEDER SCREW .....		----	----	2	43353-461-771	0954230
11	ROD ASSY., RR. BRAKE TORQUE .....		----	----	1	43430-MBG-000	5741228
12	COLLAR, TORQUE LINK .....		----	----	2	43433-MW4-000	4483962
13	SPRING, PAD .....		----	----	1	45108-MZ2-016	5687512
14	O-RING (2.5X1.5) .....		----	----	1	45111-MAJ-G41	4979928
15	BOLT, PIN .....		----	----	1	45131-MAC-681	4570982
16	PIN, BOLT .....		----	----	1	45131-MZ2-006	4181251







# REAR WHEEL



MBG4F1600

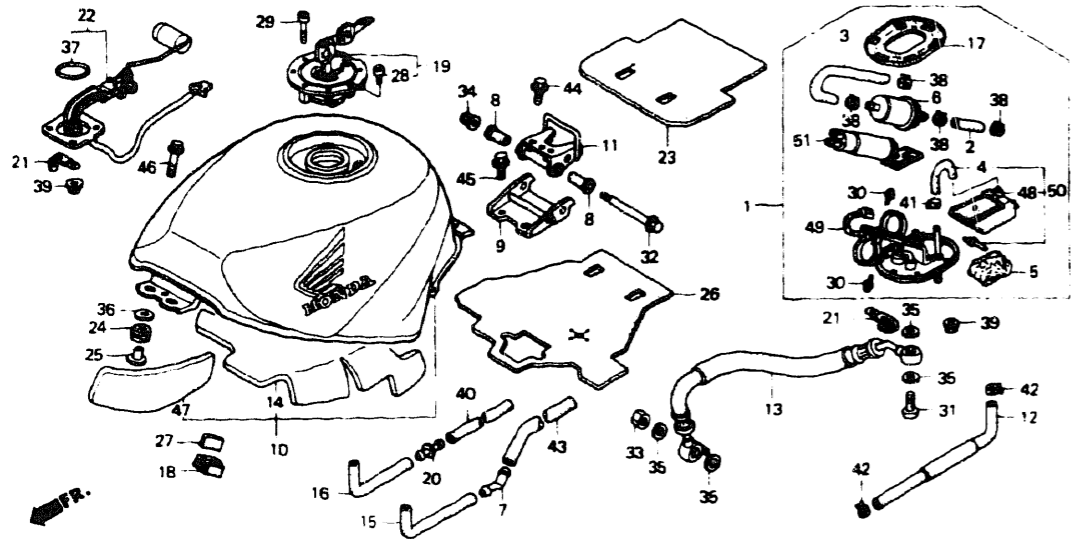
VFR800F1'98		AREA CODE	QTY REQ	FRAME SERIAL NUMBER		PART NUMBER	HONDA CODE
Ref. No.	BLOCK NO. DESCRIPTION			FROM	TO		
	15 DISK, RR. BRAKE .....		1	----	----	43251-MBG-000	5741152
	16 SPACER, RR. DISK .....		1	----	----	43252-MBG-000	5741160
	17 BOLT, FLANGE (8X19) .....		4	----	----	90102-MW4-000	4485488
	18 BOLT, WHEEL (NAGOYA RASHI) .....		4	----	----	90113-SA0-025	3124252
	19 BOLT, FLANGE SOCKET (8X32) .....		6	----	----	90133-MBG-000	5742689
	20 NUT, LOCK (35MM) .....		1	----	----	90306-MZ7-000	4468294
	21 NUT, WHEEL .....		4	----	----	90307-MT4-010	3605763
	22 NUT, FLANGE (8MM) .....		10	----	----	90309-KF0-003	1420231
	NUT, FLANGE (8MM) .....		10	----	----	90309-428-731	1001197
	23 WASHER (8MM) .....		6	----	----	90465-MC4-000	1223734
	24 WASHER, CONICAL SPRING (35) .....		1	----	----	90501-MBG-003	5742739
	25 CIRCLIP (INNER) (62MM) .....		2	----	----	90651-ML0-731	2920312
	26 CIRCLIP (OUTER) (75MM) .....		1	----	----	90652-ML0-731	2920320
	27 BEARING, RADIAL BALL (6908LU) ...		1	----	----	91061-ML0-731	2920387
	28 BEARING, RADIAL BALL (35X55X10) .		1	----	----	91061-MT4-003	3473303
	29 BEARING, RR. AXLE NEEDLE .....		1	----	----	91062-MR7-003	2920395

VFR800F1'98		AREA CODE	QTY REQ	FRAME SERIAL NUMBER		PART NUMBER	HONDA CODE
Ref. No.	BLOCK NO. DESCRIPTION			FROM	TO		
	30 DUST SEAL (45X55X5) (ARAI) .....		1	----	----	91258-ML7-003	2408797
	DUST SEAL (45X55X5) (NOK) .....		1	----	----	91258-ML7-004	2410645
	31 DUST SEAL (50X62X5) .....		2	----	----	91284-MR7-003	2920437
	32 O-RING, SPROCKET HUB .....		1	----	----	91352-MN8-003	2902476

# CONTENTS

TITLE	PAGE	GRID
AIR CLEANER	82	E7
AIR SUCTION VALVE	41	C8
ALTERNATOR	17	B8
BATTERY	100	F4
BRAKE CALIPER, FR.	61	D8
BRAKE CALIPER, RR.	69	D12
CAMSHAFT	8	B4
CAUTION LABEL	120	G2
CLUTCH	14	B7
CLUTCH MASTER CYLINDER	53	D4
COMBINATION LIGHT, RR.	98	F3
COWL, LOWER	116	F12
COWL, RR.	80	E6
COWL, UPPER	114	F11
CRANKCASE	23	B11
CRANKCASE COVER, L.	18	B9
CRANKCASE COVER, R.	13	B6
CRANKSHAFT	26	C1
CYLINDER HEAD COVER	2	B1
CYLINDER HEAD FRONT	3	B1
CYLINDER HEAD REAR	5	B2
DELAY VALVE	52	D4
EVAP CANISTER	118	G1
FENDER, FR.	58	D7
FENDER, RR.	95	F1
FORK, FR.	59	D7
FR. BRAKE MASTER CYLINDER	50	D3
FRAME	108	F7
FUEL TANK	74	E3
GASKET KIT A	42	C9
GASKET KIT B	44	C10
GEARSHIFT DRUM	32	C4
HANDLE SWITCH	49	D2
HANDLEBAR	55	D5
HEADLIGHT	46	D1
IGNITION COIL	104	F6
METER	47	D1
MUFFLER	84	E8
OIL COOLER	108	F8
OIL PUMP	21	B10
PEDAL	86	E9
PROPORTIONING VALVE	68	D12
PULSE ALTERNATOR	16	B8
RADIATOR	111	F9
RR. BRAKE MASTER CYLINDER	65	D10
SEAT	78	E5
SHOCK ABSORBER, RR.	94	F1
STAND	90	E11
STARTER MOTOR	20	B10
STEERING STEM	57	D6
STEP	87	E9
SWINGARM	92	E12
THROTTLE BODY ASSY	36	C6
THROTTLE BODY COMP.	40	C8
THROTTLE BODY TUBING	38	C7
TOOLS	109	F8
TRANSMISSION	29	C2
TURN SIGNAL	97	F2
WATER PUMP	34	C5
WHEEL, FR.	64	D10
WHEEL, RR.	71	E1
WIRE HARNESS	101	F4

# FUEL TANK



MBG4F1700B

VFR800F'98		AREA CODE	FRAME SERIAL NUMBER	QTY REQ	PART NUMBER	HONDA CODE
Ref. No.	BLOCK NO. DESCRIPTION					
	F-17					
			FROM TO			
1	PUMP ASSY., FUEL			1	16700-MBG-010	5857941
2	HOSE, PUMP			1	16711-MBG-010	5857958
3	HOSE, FUEL PUMP (B)			1	16712-MBG-000	5739289
4	TUBE, FUEL PUMP RETURN			1	16713-MBG-010	5857966
5	FILTER, FUEL RETURN			1	16714-MBG-000	5739305
6	FILTER COMP., FUEL			1	16900-MBG-003	5739347
7	JOINT, BREATHER TUBE			1	17359-419-670	0631325
8	RUBBER, FUEL TANK PIVOT			2	17506-MB1-000	1244862
9	STAY A, RR. FUEL TANK			1	17516-MBG-000	5739479
10	TANK SET, FUEL (TYPE4) (WL)			1	17520-MBG-670ZA	5739495
11	STAY B, RR. FUEL TANK			1	17524-MBG-000	5739537
12	HOSE, FUEL RETURN			1	17525-MBG-000	5739545
13	HOSE COMP., FUEL FEED			1	17528-MBG-003	5774252
14	MAT B, FUEL TANK MUFFLER			1	17542-MBG-300	5824180
15	TUBE, DRAIN			1	17543-MBG-000	5739602
16	TUBE, BREATHER			1	17544-MBG-000	5739610

# FUEL TANK

Color chart for fuel tank set

Type	Main body color	Color label code
TYPE 1	Italian red	R157
TYPE 2 TYPE 2 1	Mute black metallic	NH359
TYPE 3 TYPE 3 1	Sparkling silver metallic	NH295

VFR800F'98		AREA CODE	FRAME SERIAL NUMBER	QTY REQ	PART NUMBER	HONDA CODE
Ref. No.	BLOCK NO. DESCRIPTION					
	F-17					
			FROM TO			
17	GASKET, BASE			1	17574-MNS-000	2803906
18	RUBBER, FUEL TANK			2	17611-ML7-000	2403889
19	CAP COMP., FUEL FILLER			1	17620-MT4-010	3822277
20	JOINT, TUBE	A		1	19103-ML7-000	2404085
21	CLIP, PULSER WIRE			2	32925-958-000	1771013
22	UNIT SET, FUEL			1	37010-MBG-000	5740816
23	RUBBER, BATTERY (UPPER)			1	50310-MZ7-000	4467262
24	RUBBER, FR. FENDER SETTING			2	61103-357-000	0329987
25	COLLAR, SETTING			2	61104-422-000	0692202
26	RUBBER, RR. CYLINDER HEAD HEAT GUARD			1	80115-MBG-000	5742424
27	RUBBER, PROTECTOR			2	81214-MW0-300	4061099
28	BOLT, SOCKET (4X6)			4	90073-MT4-000	3605748
29	BOLT, SOCKET (4X21)			3	90074-MT4-000	3472842
30	SCREW-WASHER, LOCK (4X8)			2	90105-MBG-000	5742622
31	BOLT, BANJO (12MM)			1	90108-MBG-000	5742655

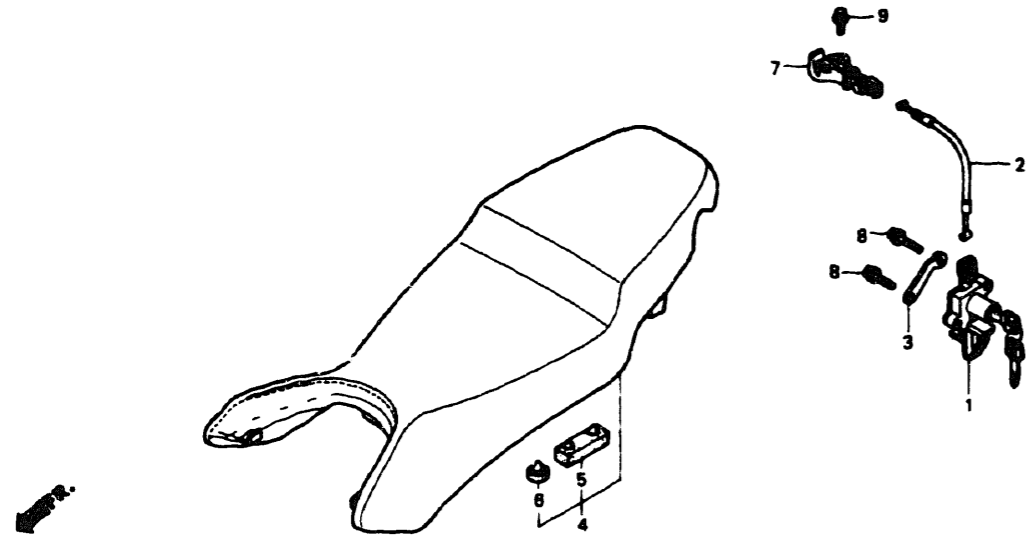
F14MBGW17 C

# CONTENTS

TITLE	PAGE	GRID
AIR CLEANER	82	E7
AIR SUCTION VALVE	41	C8
ALTERNATOR	17	B8
BATTERY	100	F4
BRAKE CALIPER, FR.	61	D8
BRAKE CALIPER, RR.	69	D12
CAMSHAFT	8	B4
CAUTION LABEL	120	G2
CLUTCH	14	B7
CLUTCH MASTER CYLINDER	53	D4
COMBINATION LIGHT, FR.	98	F3
COWL, LOWER	116	F12
COWL, RR.	80	E6
COWL, UPPER	114	F11
CRANKCASE	23	B11
CRANKCASE COVER, L.	18	B9
CRANKCASE COVER, R.	13	B6
CRANKSHAFT	26	C1
CYLINDER HEAD COVER	2	B1
CYLINDER HEAD FRONT	3	B1
CYLINDER HEAD REAR	5	B2
DELAY VALVE	52	D4
EVAP CANISTER	118	G1
FENDER, FR.	58	D7
FENDER, RR.	95	F1
FORK, FR.	59	D7
FR. BRAKE MASTER CYLINDER	50	D3
FRAME	106	F7
FUEL TANK	74	E3
GASKET KIT A	42	C9
GASKET KIT B	44	C10
GEARSHIFT DRUM	32	C4
HANDLE SWITCH	49	D2
HANDLEBAR	55	D5
HEADLIGHT	46	D1
IGNITION COIL	104	F6
METER	47	D1
MUFFLER	84	E8
OIL COOLER	108	F8
OIL PUMP	21	B10
PEDAL	86	E9
PROPORTIONING VALVE	68	D12
PULSE ALTERNATOR	16	B8
RADIATOR	111	F9
RR. BRAKE MASTER CYLINDER	65	D10
SEAT	78	E5
SHOCK ABSORBER, RR.	94	F1
STAND	90	E11
STARTER MOTOR	20	B10
STEERING STEM	57	D8
STEP	87	E9
SWINGARM	92	E12
THROTTLE BODY ASSY	36	C6
THROTTLE BODY COMP	40	C8
THROTTLE BODY TUBING	38	C7
TOOLS	109	F8
TRANSMISSION	29	C2
TURN SIGNAL	97	F2
WATER PUMP	34	C5
WHEEL, FR.	64	D10
WHEEL, RR.	71	E1
WIRE HARNESS	101	F4



# SEAT



MBG4F1800

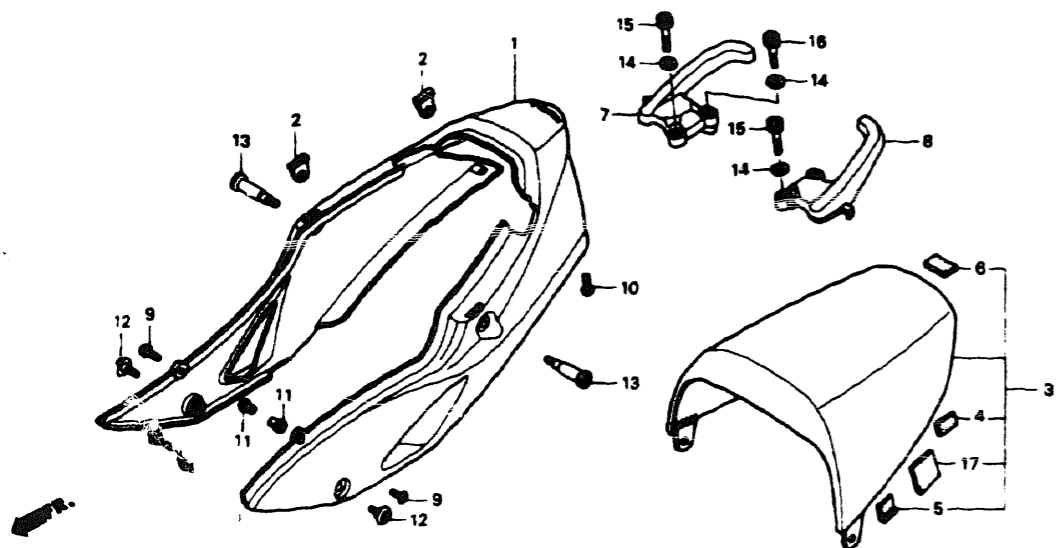
VFR800F1'98		AREA CODE	FRAME SERIAL NUMBER	QTY REQ	PART NUMBER	HONDA CODE
Ref. No.	BLOCK NO. DESCRIPTION					
	F-18					
1	LOCK ASSY., SEAT			1	77110-ML7-922	4199303
2	CABLE, SEAT LOCK			1	77156-MBG-000	5742275
3	PLATE, SEAT LOCK BACK			1	77160-MZ7-000	4574281
4	SEAT ASSY., DOUBLE			1	77200-MBG-000	5742283
5	RUBBER, SEAT SETTING			4	77204-312-000	0229948
6	RUBBER, SEAT SETTING			2	77206-6F0-000	1709773
7	HOOK, SEAT CATCH			1	77220-KY6-000	3471992
8	BOLT, BREAK OFF (6MM)			2	90008-MZ7-000	4468161
9	BOLT, FLANGE (6X12)			1	96001-06012-00	2105930

VFR800F1'98		AREA CODE	FRAME SERIAL NUMBER		QTY REQ	PART NUMBER	HONDA CODE
Ref. No.	BLOCK NO. DESCRIPTION		FROM	TO			
	F-18						

# CONTENTS

TITLE	PAGE	GRID
AIR CLEANER	82	E7
AIR SUCTION VALVE	41	C8
ALTERNATOR	17	B8
BATTERY	100	F4
BRAKE CALIPER, FR.	61	D8
BRAKE CALIPER, RR.	68	D12
CAMSHAFT	8	B4
CAUTION LABEL	120	G2
CLUTCH	14	B7
CLUTCH MASTER CYLINDER	53	D4
COMBINATION LIGHT, RR.	98	F3
COWL, LOWER	116	F12
COWL, RR.	80	E6
COWL, UPPER	114	F11
CRANKCASE	23	B11
CRANKCASE COVER, L.	18	B9
CRANKCASE COVER, R.	13	B6
CRANKSHAFT	26	C1
CYLINDER HEAD COVER	2	B1
CYLINDER HEAD FRONT	3	B1
CYLINDER HEAD REAR	5	B2
DELAY VALVE	52	D4
EVAP CANISTER	118	G1
FENDER, FR.	58	D7
FENDER, RR.	95	F1
FORK, FR.	59	D7
FR. BRAKE MASTER CYLINDER	50	D3
FRAME	106	F7
FUEL TANK	74	E3
GASKET KIT A	42	C9
GASKET KIT B	44	C10
GEARSHIFT DRUM	32	C4
HANDLE SWITCH	49	D2
HANDLEBAR	55	D5
HEADLIGHT	46	D1
IGNITION COIL	104	F6
METER	47	D1
MUFFLER	84	E8
OIL COOLER	108	F8
OIL PUMP	21	B10
PEDAL	86	E9
PROPORTIONING VALVE	68	D12
PULSE ALTERNATOR	16	B8
RADIATOR	111	F9
RR. BRAKE MASTER CYLINDER	65	D10
SEAT	78	E5
SHOCK ABSORBER, RR.	94	F1
STAND	90	E11
STARTER MOTOR	20	B10
STEERING STEM	57	D6
STEP	87	E9
SWINGARM	92	E12
THROTTLE BODY ASSY	36	C6
THROTTLE BODY COMP	40	C8
THROTTLE BODY TUBING	38	C7
TOOLS	109	F8
TRANSMISSION	29	C2
TURN SIGNAL	97	F2
WATER PUMP	34	C5
WHEEL, FR.	64	D10
WHEEL, RR.	71	E1
WIRE HARNESS	101	F4

# REAR COWL



MBG4F1900A

VFR800F1'98		AREA CODE	FRAME SERIAL NUMBER	QTY REQ	PART NUMBER	HONDA CODE
Ref. No.	BLOCK NO. F-19 DESCRIPTION					
	1 COWL SET, RR. (TYPE1) (WL) .....		-----	1	77210-MBG-000ZA	5742291
	2 PLUG, RR. COWL .....		-----	2	77220-MBG-000	5858139
	3 COWL, SINGLE SEAT *R157* (ITALIAN RED) .....		-----	1	77225-MBG-000ZB	5742317
	4 TAPE A, SINGLE SEAT COWL .....		-----	2	77226-MBG-300	5774815
	5 RUBBER, SINGLE SEAT .....		-----	6	77226-MZ7-300	4607347
	6 TAPE B, SINGLE SEAT COWL .....		-----	1	77227-MBG-300	5774823
	7 GRIP, R. RR. *NH220R* (SMOKE GRAY) .....		-----	1	77330-MBG-000ZB	5742333
	8 GRIP, L. RR. *NH220R* (SMOKE GRAY) .....		-----	1	77340-MBG-000ZB	5742341
	9 SCREW, PAN (5X20) .....		-----	2	90103-MBG-000	5742398
	10 SCREW, TRUSS (5X16) .....		-----	2	90109-SB6-000	1836964
	11 NUT, COWL SETTING (5MM) .....		-----	2	90111-KW3-003	2909141
	12 BOLT, COWL SETTING .....		-----	2	90112-MT4-000	3472982
	13 BOLT, RR. COWL HOOK .....		-----	2	90116-MBG-000	5742663
	14 WASHER, FLAT (8MM) .....		-----	4	94101-08700	0313262

# REAR COWL

Color chart for rear cowl set

Type	Main body color	Color label code
TYPE 1	Italian red	R157
TYPE 2 1	Mute black metallic	NH359
TYPE 3 1	Sparkling silver metallic	NH295

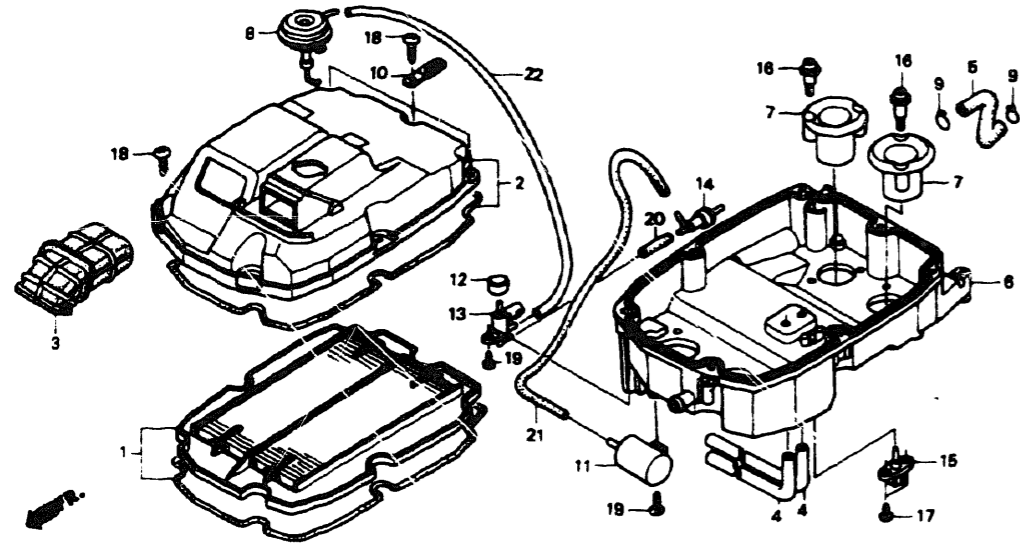
VFR800F1'98		AREA CODE	FRAME SERIAL NUMBER	QTY REQ	PART NUMBER	HONDA CODE
Ref. No.	BLOCK NO. F-19 DESCRIPTION					
	15 BOLT, SOCKET (8X30) .....		-----	2	96700-08030-07	5858170
	16 BOLT, SOCKET (8X40) .....		-----	2	96700-08040-07	3699378
	17 CUSHION, SINGLE SEAT COWL .....		-----	2	77228-MBG-300	5858147

F14MBGW19 C

# CONTENTS

TITLE	PAGE	GRID
AIR CLEANER	82	E7
AIR SUCTION VALVE	41	C8
ALTERNATOR	17	B8
BATTERY	100	F4
BRAKE CALIPER, FR.	61	D8
BRAKE CALIPER, RR.	69	D12
CAMSHAFT	8	B4
CAUTION LABEL	120	G2
CLUTCH	14	B7
CLUTCH MASTER CYLINDER	53	D4
COMBINATION LIGHT, RR.	98	F3
COWL, LOWER	116	F12
COWL, RR.	80	E6
COWL, UPPER	114	F11
CRANKCASE	23	B11
CRANKCASE COVER, L.	18	B9
CRANKCASE COVER, R.	13	B6
CRANKSHAFT	26	C1
CYLINDER HEAD COVER	2	B1
CYLINDER HEAD FRONT	3	B1
CYLINDER HEAD REAR	5	B2
DELAY VALVE	52	D4
EVAP CANISTER	118	G1
FENDER, FR.	58	D7
FENDER, RR.	95	F1
FORK, FR.	59	D7
FR. BRAKE MASTER CYLINDER	50	D3
FRAME	106	F7
FUEL TANK	74	E3
GASKET KIT A	42	C9
GASKET KIT B	44	C10
GEARSHIFT DRUM	32	C4
HANDLE SWITCH	49	D2
HANDLEBAR	55	D5
HEADLIGHT	46	D1
IGNITION COIL	104	F6
METER	47	D1
MUFFLER	84	E8
OIL COOLER	108	F8
OIL PUMP	21	B10
PEDAL	86	E9
PROPORTIONING VALVE	68	D12
PULSE ALTERNATOR	16	B8
RADIATOR	111	F9
RR. BRAKE MASTER CYLINDER	65	D10
SEAT	78	E5
SHOCK ABSORBER, RR.	94	F1
STAND	90	E11
STARTER MOTOR	20	B10
STEERING STEM	57	D6
STEP	87	E9
SWINGARM	92	E12
THROTTLE BODY ASSY.	36	C6
THROTTLE BODY COMP.	40	C8
THROTTLE BODY TUBING	38	C7
TOOLS	109	F8
TRANSMISSION	29	C2
TURN SIGNAL	97	F2
WATER PUMP	34	C5
WHEEL, FR.	64	D10
WHEEL, RR.	71	E1
WIRE HARNESS	101	F4

# AIR CLEANER



MBG4F2000

VFR800F1'98		A R E A C O D E	Q T Y R E Q	P A R T N U M B E R	H O N D A C O D E
Ref. No.	BLOCK NO. F-20 DESCRIPTION				
1	ELEMENT, AIR CLEANER		1	17210-MBG-000	5739354
2	COVER COMP., AIR CLEANER		1	17221-MBG-000	5739362
3	DUCT, AIR CLEANER		1	17222-MBG-000	5739370
4	TUBE, THROTTLE BODY AIR		2	17225-MBG-000	5739388
5	TUBE, BREATHER		1	17227-MBG-000	5739396
6	HOUSING, AIR CLEANER		1	17231-MBG-000	5739404
7	FUNNEL, AIR		4	17237-MBG-000	5739412
8	DIAPHRAGM, CONTROL VALVE		1	17238-MW4-003	4540555
9	CLIP, BREATHER TUBE		2	17554-MB0-000	1260264
10	CLIP, PULSER WIRE		2	32925-958-000	1771013
11	CHAMBER COMP., VACUUM (50)		1	36132-PH4-671	2177210
12	FILTER ASSY., SOLENOID VALVE		1	36138-PR7-A01	3544764
13	VALVE ASSY., BYPASS CONTROL SOLENOID		1	36163-PV0-004	3764412
14	VALVE, CHECK		1	36627-MN5-000	2827244
	VALVE, CHECK		1	36627-MN5-003	2806883

VFR800F1'98		A R E A C O D E	Q T Y R E Q	P A R T N U M B E R	H O N D A C O D E
Ref. No.	BLOCK NO. F-20 DESCRIPTION				
15	SENSOR ASSY., TA		1	37880-P05-A00	3881711
16	SCREW, PAN (5MM)		8	91508-MN5-000	2568954
17	SCREW-WASHER (5X16)		2	93893-05016-07	1692912
18	SCREW, TAPPING (5X20)		7	93903-25480	1938406
19	SCREW (5X20) (TAPPING) (PO)		2	93911-25520	5742796
20	BULK HOSE, VACUUM (3.5X8000) (3.5X40)		1	95005-35008-10M	2325058
21	BULK HOSE, VACUUM (3.5X8000) (3.5X345)		1	95005-35008-10M	2325058
22	BULK HOSE, VACUUM (4.5X8000) (4.5X350)		1	95005-45008-10M	2325082

# CONTENTS

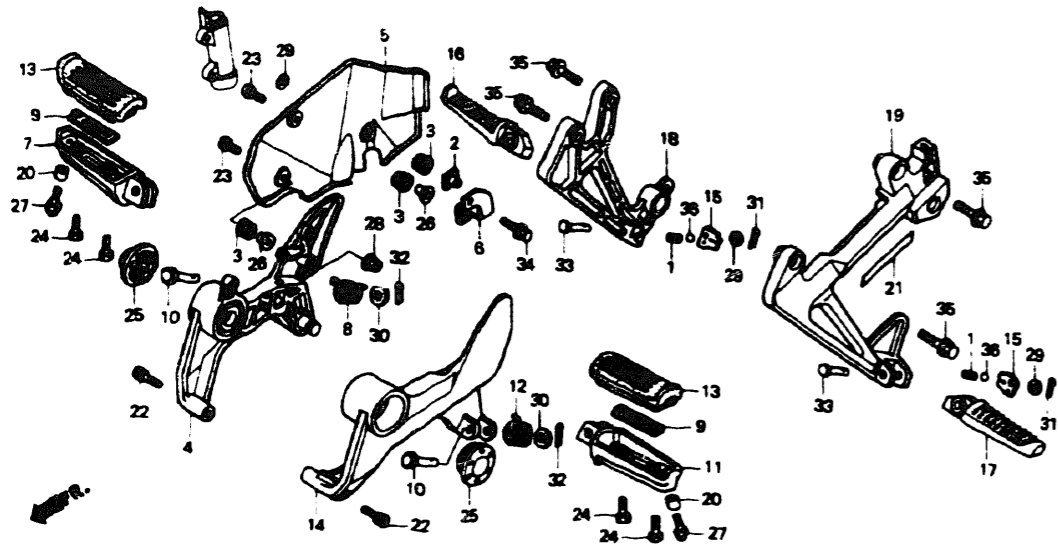
TITLE	PAGE	GRID
AIR CLEANER	82	E7
AIR SUCTION VALVE	41	C8
ALTERNATOR	17	B8
BATTERY	100	F4
BRAKE CALIPER, FR.	61	D8
BRAKE CALIPER, RR.	59	D12
CAMSHAFT	8	B4
CAUTION LABEL	120	G2
CLUTCH	14	B7
CLUTCH MASTER CYLINDER	53	D4
COMBINATION LIGHT, RR.	98	F3
COWL, LOWER	116	F12
COWL, RR.	80	E6
COWL, UPPER	114	F11
CRANKCASE	23	B11
CRANKCASE COVER, L.	18	B9
CRANKCASE COVER, R.	13	B6
CRANKSHAFT	26	C1
CYLINDER HEAD COVER	2	B1
CYLINDER HEAD FRONT	3	B1
CYLINDER HEAD REAR	5	B2
DELAY VALVE	52	D4
EVAP CANISTER	118	G1
FENDER, FR.	58	D7
FENDER, RR.	95	F1
FORK, FR.	59	D7
FR. BRAKE MASTER CYLINDER	50	D3
FRAME	106	F7
FUEL TANK	74	E3
GASKET KIT A	42	C9
GASKET KIT B	44	C10
GEARSHIFT DRUM	32	C4
HANDLE SWITCH	49	D2
HANDLEBAR	55	D5
HEADLIGHT	46	D1
IGNITION COIL	104	F6
METER	47	D1
MUFFLER	84	E8
OIL COOLER	108	F8
OIL PUMP	21	B10
PEDAL	36	E9
PROPORTIONING VALVE	68	D12
PULSE ALTERNATOR	16	B8
RADIATOR	111	F9
RR. BRAKE MASTER CYLINDER	65	D10
SEAT	78	E5
SHOCK ABSORBER, RR.	94	F1
STAND	90	E11
STARTER MOTOR	20	B10
STEERING STEM	57	D6
STEP	87	E9
SWINGARM	92	E12
THROTTLE BODY ASSY.	36	C6
THROTTLE BODY COMP.	40	C8
THROTTLE BODY TUBING	38	C7
TOOLS	109	F8
TRANSMISSION	29	C2
TURN SIGNAL	97	F2
WATER PUMP	34	C5
WHEEL, FR.	64	D10
WHEEL, RR.	71	E1
WIRE HARNESS	101	F4







**STEP**



MBG4F2300

VFR800F1'98

AREA  
CODE

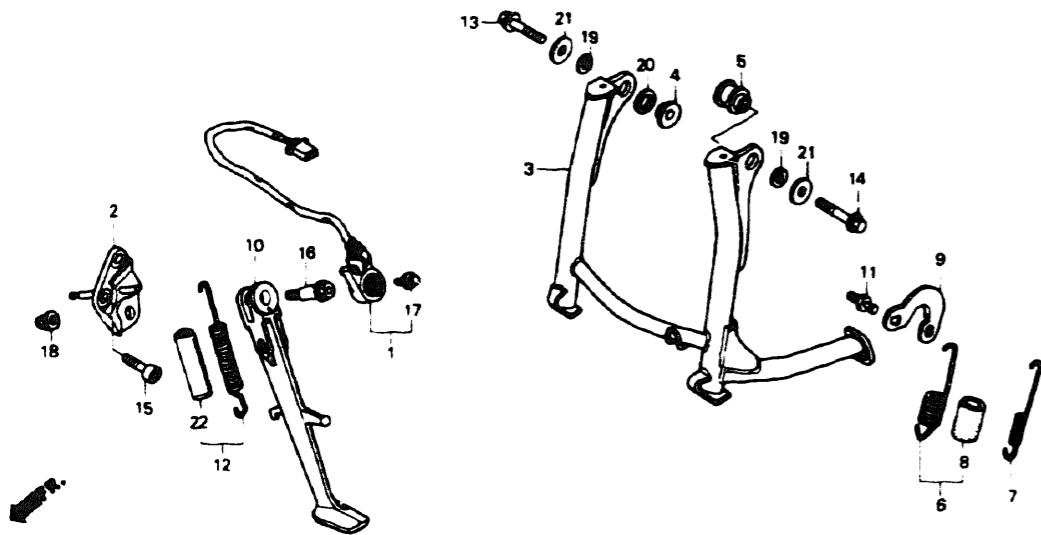
Ref. No.	BLOCK NO. F-23 DESCRIPTION	FRAME SERIAL NUMBER		QTY REQ	PART NUMBER	HONDA CODE
		FROM	TO			
	29 WASHER, PLAIN (6MM) .....	-----	-----	3	94101-06000	0059071
	WASHER, PLAIN (6MM) .....	-----	-----	3	94101-06080	3136074
	WASHER, PLAIN (6MM) .....	-----	-----	3	94101-06800	0345900
	30 WASHER, PLAIN (8MM) .....	-----	-----	2	94102-08000	0199596
	31 PIN, COTTER (1.6X12) .....	-----	-----	2	94201-16120	0251736
	32 PIN, COTTER (2.0X15) .....	-----	-----	2	94201-20150	0058347
	33 PIN C, PILLION FOOTPEG .....	-----	-----	2	95015-83000	0274118
	34 BOLT, FLANGE (6X14) .....	-----	-----	1	95701-06014-00	2410884
	35 BOLT, FLANGE (8X25) .....	-----	-----	4	95701-08025-00	2545325
	36 BALL, STEEL (≠8) (1/4) .....	-----	-----	2	96211-08000	0079905

**CONTENTS**

TITLE	PAGE	GRID
AIR CLEANER	82	E7
AIR SUCTION VALVE	41	C8
ALTERNATOR	17	B8
BATTERY	100	F4
BRAKE CALIPER, FR.	61	D8
BRAKE CALIPER, RR.	69	D12
CAMSHAFT	8	B4
CAUTION LABEL	120	G2
CLUTCH	14	B7
CLUTCH MASTER CYLINDER	53	D4
COMBINATION LIGHT, RR.	98	F3
COWL, LOWER	116	F12
COWL, RR.	80	E6
COWL, UPPER	114	F11
CRANKCASE	23	B11
CRANKCASE COVER, L.	18	B9
CRANKCASE COVER, R.	13	B6
CRANKSHAFT	26	C1
CYLINDER HEAD COVER	2	B1
CYLINDER HEAD FRONT	3	B1
CYLINDER HEAD REAR	5	B2
DELAY VALVE	52	D4
EVAP CANISTER	118	G1
FENDER, FR.	58	D7
FENDER, RR.	95	F1
FORK, FR.	59	D7
FR. BRAKE MASTER CYLINDER	50	D3
FRAME	106	F7
FUEL TANK	74	E3
GASKET KIT A	42	C9
GASKET KIT B	44	C10
GEARSHIFT DRUM	32	C4
HANDLE SWITCH	49	D2
HANDLEBAR	55	D5
HEADLIGHT	46	D1
IGNITION COIL	104	F6
METER	47	D1
MUFFLER	84	E8
OIL COOLER	108	F8
OIL PUMP	21	B10
PEDAL	86	E9
PROPORTIONING VALVE	68	D12
PULSE ALTERNATOR	16	B8
RADIATOR	111	F9
RR. BRAKE MASTER CYLINDER	65	D10
SEAT	78	E5
SHOCK ABSORBER, RR.	94	F1
STAND	90	E11
STARTER MOTOR	20	B10
STEERING STEM	57	D6
STEP	87	E9
SWINGARM	92	E12
THROTTLE BODY ASSY	36	C6
THROTTLE BODY COMP	40	C8
THROTTLE BODY TUBING	38	C7
TOOLS	109	F8
TRANSMISSION	29	C2
TURN SIGNAL	97	F2
WATER PUMP	34	C5
WHEEL, FR.	64	D10
WHEEL, RR.	71	E1
WIRE HARNESS	101	F4

Ref. No.	BLOCK NO. F-23 DESCRIPTION	AREA CODE	FRAME SERIAL NUMBER		QTY REQ	PART NUMBER	HONDA CODE
			FROM	TO			
	15 PLATE, PILLION STEP CLICK .....		-----	-----	2	50718-KT7-761	3470267
	16 BAR, R. PILLION STEP .....		-----	-----	1	50720-KT7-760	3470275
	17 BAR, L. PILLION STEP .....		-----	-----	1	50730-KT7-760	3470283
	18 HOLDER, R. PILLION STEP *NH295M* (SPARKLING SILVER) .....		-----	-----	1	50750-MBG-000ZA	5741707
	19 HOLDER, L. PILLION STEP *NH295M* (SPARKLING SILVER) .....		-----	-----	1	50760-MBG-000ZA	5741715
	20 COLLAR, STEP (LOWER) .....		-----	-----	2	51486-KV3-000	4467478
	21 TAPE, PILLION STEP HOLDER PROTECTION .....		-----	-----	1	80116-MBG-000	5742432
	22 BOLT, SOCKET (6X12) .....		-----	-----	2	90001-KN7-670	2112332
	23 BOLT, SPECIAL (6X17) .....		-----	-----	2	90085-MZ1-000	4199550
	24 BOLT, MAIN STEP RUBBER SETTING ...		-----	-----	4	90115-MV9-000	3699030
	25 CAP, PIVOT .....		-----	-----	2	90305-MBB-000	5365523
	26 WASHER (6.5X5.5) .....		-----	-----	2	90505-MA6-000	2265239
	27 BOLT, CAP (8X30) .....		-----	-----	2	92501-08030-0A	4468336
	28 NUT, FLANGE (6MM) .....		-----	-----	1	94050-06000	0471623

# STAND



MBG4F2400

VFR800F'98		AREA CODE	FRAME SERIAL NUMBER	QTY REQ	PART NUMBER	HONDA CODE
Ref. No.	BLOCK NO. F-24 DESCRIPTION					
1	SWITCH SET, SIDE STAND .....			1	35700-MBG-305	5740766
2	BRACKET, SIDE STAND .....			1	50150-MBG-000	5741558
3	STAND COMP., MAIN .....			1	50500-MBG-000	5741624
4	COLLAR, R. MAIN STAND .....			1	50503-MBG-000	5774732
5	COLLAR, L. MAIN STAND .....			1	50504-MBG-000	5741632
6	SPRING ASSY., MAIN STAND .....			1	50520-MZ7-000	4467296
7	SPRING, MAIN STAND SUB .....			1	50523-MZ7-610	4467304
8	RUBBER, MAIN STAND SPRING .....			1	50524-MZ7-000	4467312
9	PLATE, MAIN STAND SPRING .....			1	50527-MBG-000	5741640
10	BAR, SIDE STAND .....			1	50530-MBG-000	5741657
11	HOOK, MAIN STAND SPRING .....			1	50538-ML7-000	2406569
12	SPRING ASSY., SIDE STAND .....			1	50540-MBB-000	5364211
13	BOLT, FLANGE (10X32) .....			1	90105-KY2-710	5742614
14	BOLT, FLANGE (10X50) .....			1	90106-KBG-000	3717311
15	BOLT, SOCKET (10X26) .....			1	90106-MAT-000	5216072
16	BOLT, SIDE STAND PIVOT .....			1	90108-MK6-670	3106895

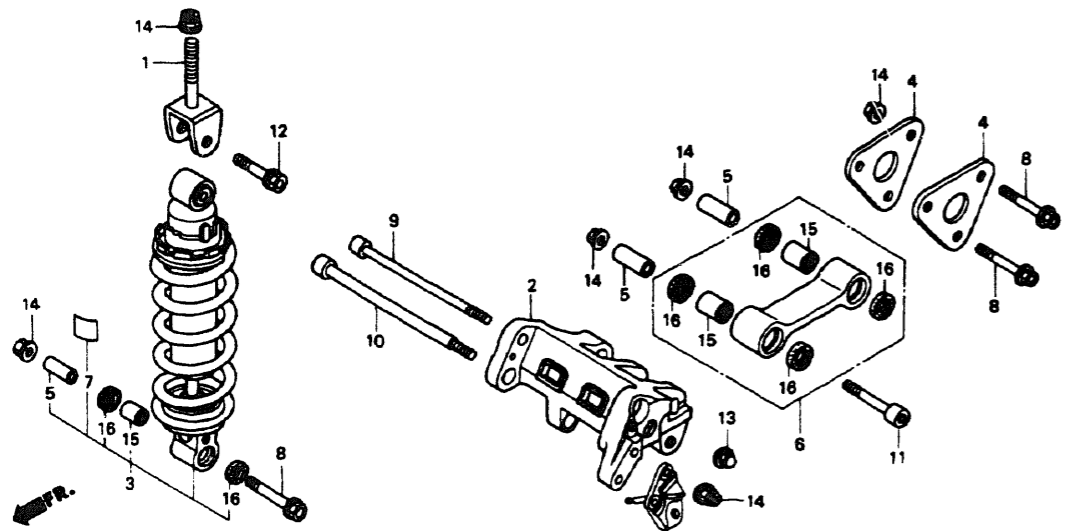
VFR800F'98		AREA CODE	FRAME SERIAL NUMBER	QTY REQ	PART NUMBER	HONDA CODE
Ref. No.	BLOCK NO. F-24 DESCRIPTION					
	17 BOLT, SPECIAL (6X16) .....			1	90147-MK6-671	3143625
	18 NUT, SIDE STAND .....			1	90203-MF9-710	2544781
	19 WASHER, SPRING (24X18) .....			2	90551-SE0-000	2202661
	20 WASHER (18.5MM) .....			1	90590-KK7-000	5742747
	21 WASHER, PLAIN (10MM) .....			2	94103-10700	0853846
	22 BULK HOSE, VINYL (14X18X8000) (14X18X60) .....			1	95003-45008-10M	4831046

# CONTENTS

TITLE	PAGE	GRID
AIR CLEANER	82	E7
AIR SUCTION VALVE	41	C8
ALTERNATOR	17	B8
BATTERY	100	F4
BRAKE CALIPER, FR.	61	D8
BRAKE CALIPER, RR.	69	D12
CAMSHAFT	8	B4
CAUTION LABEL	120	G2
CLUTCH	14	B7
CLUTCH MASTER CYLINDER	53	D4
COMBINATION LIGHT, RR.	96	F3
COWL, LOWER	116	F12
COWL, RR.	80	E6
COWL, UPPER	114	F11
CRANKCASE	23	B11
CRANKCASE COVER, L.	18	B9
CRANKCASE COVER, R.	13	B6
CRANKSHAFT	26	C1
CYLINDER HEAD COVER	2	B1
CYLINDER HEAD FRONT	3	B1
CYLINDER HEAD REAR	5	B2
DELAY VALVE	52	D4
EVAP CANISTER	118	G1
FENDER, FR.	58	D7
FENDER, RR.	95	F1
FORK, FR.	59	D7
FR. BRAKE MASTER CYLINDER	50	D3
FRAME	106	F7
FUEL TANK	74	E3
GASKET KIT A	42	C6
GASKET KIT B	44	C10
GEARSHIFT DRUM	32	C4
HANDLE SWITCH	49	D2
HANDLEBAR	55	D5
HEADLIGHT	46	D1
IGNITION COIL	104	F6
METER	47	D1
MUFFLER	84	E8
OIL COOLER	108	F8
OIL PUMP	21	B10
PEDAL	86	E9
PROPORTIONING VALVE	68	D12
PULSE ALTERNATOR	16	B8
RADIATOR	111	F9
RR. BRAKE MASTER CYLINDER	65	D10
SEAT	78	E5
SHOCK ABSORBER, RR.	94	F1
STAND	90	E11
STARTER MOTOR	20	B10
STEERING STEM	57	D6
STEP	87	E9
SWINGARM	92	E12
THROTTLE BODY ASSY	36	C6
THROTTLE BODY COMP	40	C8
THROTTLE BODY TUBING	38	C7
TOOLS	109	F8
TRANSMISSION	29	C2
TURN SIGNAL	97	F2
WATER PUMP	34	C5
WHEEL, FR.	64	D10
WHEEL, RR.	71	E1
WIRE HARNESS	101	F4



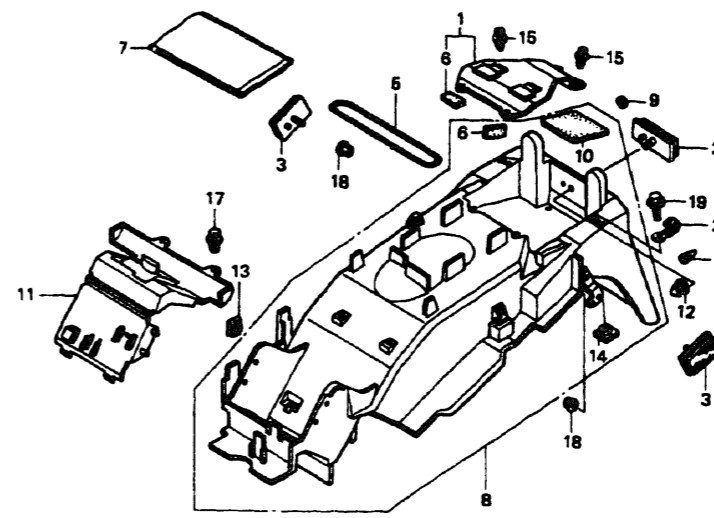
# REAR SHOCK ABSORBER



MBG4F2600

VFR800F1'98		A R E A  C O D E	F R A M E  S E R I A L  N U M B E R	Q T Y  R E Q	P A R T  N U M B E R	H O N D A  C O D E
Ref. No.	BLOCK NO. DESCRIPTION					
	F-26					
1	BRACKET COMP., RR. RUBBER			1	50233-MZ7-000	4467239
2	BRACKET, RR. CUSHION (LOWER)			1	50475-MBG-000	5741616
3	SHOCK ABSORBER ASSY., RR.			1	52400-MBG-003	5774757
4	PLATE, RR. SHOCK ABSORBER LINK			2	52461-MBG-000	5741855
5	COLLAR, SHOCK CONNECTING ROD			3	52463-MAL-600	5289970
6	ROD SUB-ASSY., SHOCK CONNECTING			1	52475-MBG-000	5741863
7	LABEL, RR. DAMPER			1	87516-KV6-610	4100889
8	BOLT, FLANGE (10X62)			3	90101-MBB-000	5365226
9	BOLT, SOCKET (10X190)			1	90101-MBG-000	5742572
10	BOLT, SOCKET (10X230)			1	90102-MBG-000	5742580
11	BOLT, SOCKET (10X66)			1	90110-KV3-700	4046488
12	BOLT, FLANGE (10X52)			1	90154-HA8-000	1875780
13	NUT, FLANGE CAP (10MM)			1	90202-MR1-000	2866309
14	NUT, U (10MM)			7	90304-GE8-003	1439249
15	BEARING, NEEDLE (KOYO)			3	91071-KV3-005	2909323
16	DUST SEAL (17X24X5) (ARAI)			6	91262-KV3-831	3699246

# REAR FENDER



MBG4F2700A

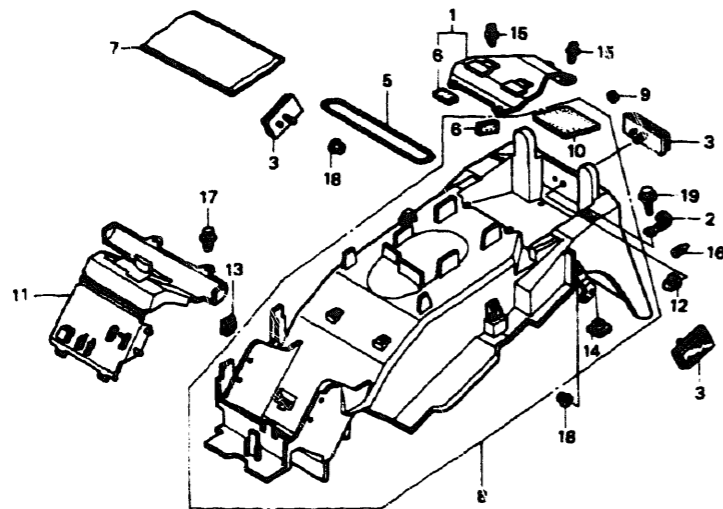
VFR800F1'98		A R E A  C O D E	F R A M E  S E R I A L  N U M B E R	Q T Y  R E Q	P A R T  N U M B E R	H O N D A  C O D E
Ref. No.	BLOCK NO. DESCRIPTION					
	F-27					
1	COVER, PGM-FI UNIT			1	30405-MBG-000	5740428
2	CLIP, PULSER WIRE			1	32925-958-000	1771013
3	REFLECTOR, REFLEX			3	33741-MS6-921	3696564
5	BAND, U-LOCK			1	50290-MZ7-000	4467254
6	RUBBER, BATTERY			4	50383-GB6-300	4459004
7	BAG, SERVICE BOOK			1	77251-342-000	0275297
8	FENDER ASSY., RR.			1	80100-MBG-670	5742382
9	RUBBER, RR. FENDER CUSHION			2	80101-310-000	0113449
10	MAT, PGM-FI UNIT			1	80106-MBG-300	5742408
11	COVER, BATTERY TRAY			1	80110-MBG-000	5742416
12	NUT, FLANGE CAP (5MM)			1	90167-SAO-980	1213099
13	NUT, CLIP (6MM)			1	90301-KBH-000	5216213
14	NUT, SPECIAL (6MM)			2	90302-MB1-000	1251248
15	CLIP, TRIM			4	90683-GAZ-003	4529715
16	PLUG, CONE TYPE			1	90899-422-610	2073021

© AMERICAN HONDA MOTOR CO., INC. 1998 95

# CONTENTS

TITLE	PAGE	GRID
AIR CLEANER	82	E7
AIR SUCTION VALVE	41	C8
ALTERNATOR	17	B8
BATTERY	100	F4
BRAKE CALIPER, FR.	61	D8
BRAKE CALIPER, RR.	69	D12
CAMSHAFT	8	B4
CAUTION LABEL	120	G2
CLUTCH	14	B7
CLUTCH MASTER CYLINDER	53	D4
COMBINATION LIGHT, RR.	98	F3
COWL, LOWER	116	F12
COWL, RR.	80	E6
COWL, UPPER	114	F11
CRANKCASE	23	B11
CRANKCASE COVER, L.	18	B9
CRANKCASE COVER, R.	13	B6
CRANKSHAFT	26	C1
CYLINDER HEAD COVER	2	B1
CYLINDER HEAD FRONT	3	B1
CYLINDER HEAD REAR	5	B2
DELAY VALVE	52	D4
EVAP CANISTER	118	G1
FENDER, FR.	58	D7
FENDER, RR.	95	F1
FORK, FR.	59	D7
FR. BRAKE MASTER CYLINDER	50	D3
FRAME	106	F7
FUEL TANK	74	E3
GASKET KIT A	42	C9
GASKET KIT B	44	C10
GEARSHIFT DRUM	32	C4
HANDLE SWITCH	49	D2
HANDLEBAR	55	D5
HEADLIGHT	46	D1
IGNITION COIL	104	F6
METER	47	D1
MUFFLER	84	E8
OIL COOLER	108	F8
OIL PUMP	21	B10
PEDAL	86	E9
PROPORTIONING VALVE	68	D12
PULSE ALTERNATOR	16	B8
RADIATOR	111	F9
RR. BRAKE MASTER CYLINDER	65	D10
SEAT	78	E5
SHOCK ABSORBER, RR.	94	F1
STAND	90	E11
STARTER MOTOR	20	B10
STEERING STEM	57	D6
STEP	87	E9
SWINGARM	92	E12
THROTTLE BODY ASSY.	36	C6
THROTTLE BODY COMP.	40	C8
THROTTLE BODY TUBING	38	C7
TOOLS	109	F8
TRANSMISSION	29	C2
TURN SIGNAL	97	F2
WATER PUMP	34	C5
WHEEL, FR.	64	D10
WHEEL, RR.	71	E1
WIRE HARNESS	101	F4

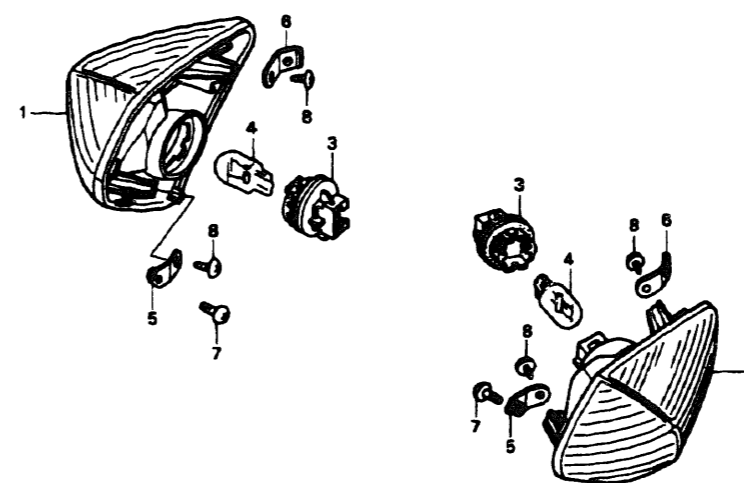
# REAR FENDER



MBG4F2700A

VFR800F1'98		A R E A  C O D E	FRAME SERIAL NUMBER		Q T Y  R E Q	PART NUMBER	HONDA CODE
Ref. No.	BLOCK NO. F-27		FROM	TO			
	DESCRIPTION						
17	CLIP, PANEL FIXING *NH1* (BLACK)			2	91549-MW0-790ZA	4230462	
18	NUT, FLANGE (5MM)			2	94050-05070	3062031	
19	BOLT, FLANGE (6X16)			2	95701-06016-00	2410892	

# TURN SIGNAL



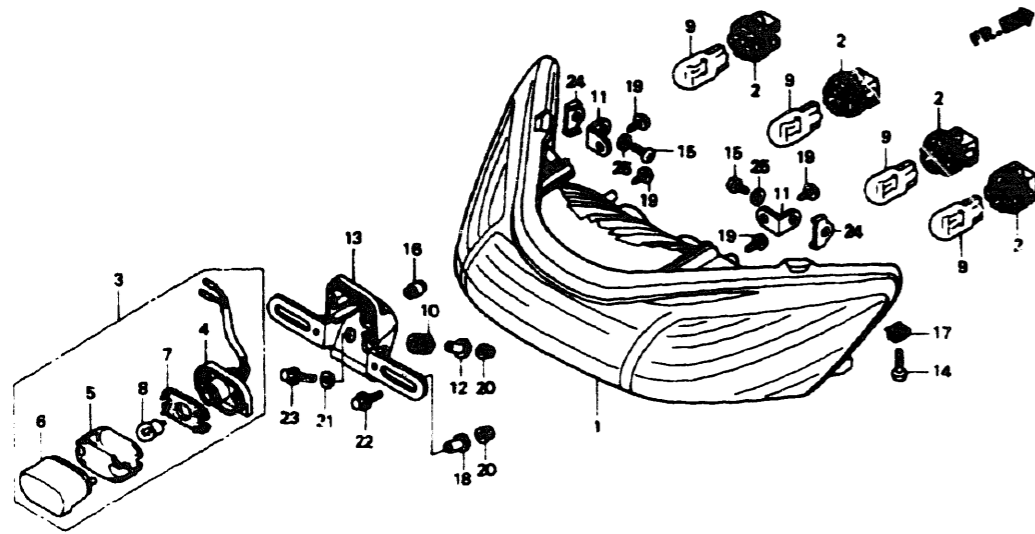
MBG4F2800

VFR800F1'98		A R E A  C O D E	FRAME SERIAL NUMBER		Q T Y  R E Q	PART NUMBER	HONDA CODE
Ref. No.	BLOCK NO. F-28		FROM	TO			
	DESCRIPTION						
1	LENS COMP., R. FR. TURN SIGNAL			1	33410-MBG-000	5858022	
2	LENS COMP., L. FR. TURN SIGNAL			1	33460-MBG-000	5774583	
3	SOCKET			2	33720-GZ9-003	5363643	
4	BULB, WEDGE BASE			2	34906-MBB-611	5363650	
5	STAY, TURN SIGNAL			2	64516-MBG-000	5742226	
6	STAY B, TURN SIGNAL			2	64517-MBG-000	5742234	
7	SCREW-WASHER (5X10)			2	93891-05010-07	0641159	
8	SCREW, TAPPING (4X10)			4	93903-24280	0562082	

# CONTENTS

TITLE	PAGE	GRID
AIR CLEANER	82	E7
AIR SUCTION VALVE	41	C8
ALTERNATOR	17	B8
BATTERY	100	F4
BRAKE CALIPER, FR.	61	D8
BRAKE CALIPER, RR.	69	D12
CAMSHAFT	8	B4
CAUTION LABEL	120	G2
CLUTCH	14	B7
CLUTCH MASTER CYLINDER	53	D4
COMBINATION LIGHT, RR.	98	F3
COWL, LOWER	116	F12
COWL, RR.	80	E6
COWL, UPPER	114	F11
CRANKCASE	23	B11
CRANKCASE COVER, L.	18	B9
CRANKCASE COVER, R.	13	B6
CRANKSHAFT	26	C1
CYLINDER HEAD COVER	2	B1
CYLINDER HEAD FRONT	3	B1
CYLINDER HEAD REAR	5	B2
DELAY VALVE	52	D4
EVAP CANISTER	118	G1
FENDER, FR.	58	D7
FENDER, RR.	95	F1
FORK, FR.	59	D7
FR. BRAKE MASTER CYLINDER	50	D3
FRAME	106	F7
FUEL TANK	74	E3
GASKET KIT A	42	C9
GASKET KIT B	44	C10
GEARSHIFT DRUM	32	C4
HANDLE SWITCH	49	D2
HANDLEBAR	55	D5
HEADLIGHT	46	D1
IGNITION COIL	104	F6
METER	47	D1
MUFFLER	84	E8
OIL COOLER	108	F8
OIL PUMP	21	B10
PEDAL	86	E9
PROPORTIONING VALVE	68	D12
PULSE ALTERNATOR	16	B8
RADIATOR	111	F9
RR. BRAKE MASTER CYLINDER	65	D10
SEAT	78	E5
SHOCK ABSORBER, RR.	94	F1
STAND	90	E11
STARTER MOTOR	20	B10
STEERING STEM	57	D6
STEP	87	E9
SWINGARM	92	E12
THROTTLE BODY ASSY.	36	C6
THROTTLE BODY COMP.	40	C8
THROTTLE BODY TUBING	38	C7
TOOLS	109	F8
TRANSMISSION	29	C2
TURN SIGNAL	97	F2
WATER PUMP	34	C5
WHEEL, FR.	64	D10
WHEEL, RR.	71	E1
WIFE HARNESS	101	F4

# REAR COMBINATION LIGHT



MBG4F2900A

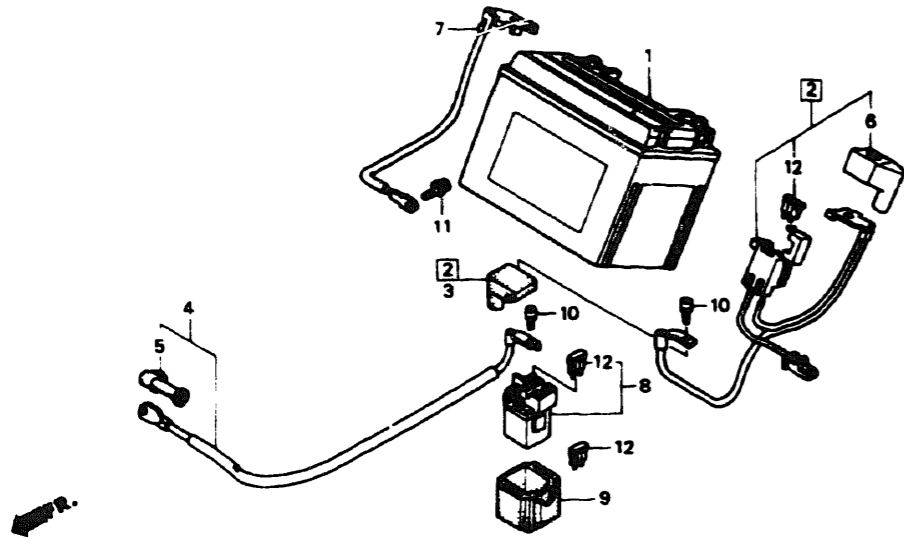
VFR800F'98		AREA CODE	QTY REQ	PART NUMBER	HONDA CODE
Ref. No.	BLOCK NO. DESCRIPTION				
1	UNIT COMP., RR. COMBINATION		1	33710-MBG-671	5740634
2	SOCKET		4	33720-G29-003	5363643
3	LIGHT ASSY., LICENSE		1	33720-MAT-671	5214424
4	BASE COMP., LICENSE		1	33721-MAT-671	5214432
5	LENS, LICENSE		1	33722-MZ0-710	5214440
6	COVER COMP., LICENSE LIGHT		1	33727-ME4-671	1393362
7	GASKET, LENS		1	33729-MB1-003	1260561
8	BULB, LICENSE LIGHT (12V8W)		1	34616-568-671	0504522
	BULB, LICENSE LIGHT (12V4CP)		1	34902-500-003	0591529
	BULB, LICENSE LIGHT (12V4CP)		1	34908-272-000	2079226
	BULB (12V8W 67)		1	34909-505-003	0504563
	BULB, LICENSE LIGHT (12V4CP)		1	34909-505-610	0587147
9	BULB, WEDGE BASE		4	34906-MBB-611	5363650
10	RUBBER, FR. FENDER SETTING		2	61103-357-000	0329987
11	STAY, TAILLIGHT SUB		2	77215-MBG-000	5742309
12	COLLAR, RR. FENDER		2	80114-KE2-940	3698537

VFR800F'98		AREA CODE	QTY REQ	PART NUMBER	HONDA CODE
Ref. No.	BLOCK NO. DESCRIPTION				
13	BRACKET, NUMBER PLATE		1	84701-ML7-670	2407963
14	SCREW, PAN (5X15)		2	90150-MBG-000	5858162
15	SCREW, SPECIAL (5MM)		2	90104-MBG-000	5858154
16	NUT, SPECIAL (4MM)		2	90302-MB2-000	1425248
17	NUT, SPRING (5MM)		2	90320-GC3-000	1937788
18	WASHER (6X20)		2	90502-VA4-640	1805027
19	SCREW, TAPPING (5X12)		4	93903-25210	0562108
20	NUT, FLANGE (6MM)		4	94050-06000	0471623
21	WASHER, PLAIN (6MM)		2	94103-06000	0450122
22	BOLT, FLANGE (6X16)		2	95701-06016-00	2410892
23	BOLT, FLANGE (6X25)		2	95701-06025-08	2259711
24	SUB-STAY A, TAILLIGHT		2	77217-MBG-000	5858121
25	WASHER, BODY COVER SETTING		2	90401-KM1-000	1965383

# CONTENTS

TITLE	PAGE	GRID
AIR CLEANER	82	E7
AIR SUCTION VALVE	41	C8
ALTERNATOR	17	B8
BATTERY	100	F4
BRAKE CALIPER, FR.	61	D8
BRAKE CALIPER, RR.	69	D12
CAMSHAFT	8	B4
CAUTION LABEL	120	G2
CLUTCH	14	B7
CLUTCH MASTER CYLINDER	53	D4
COMBINATION LIGHT, RR.	98	F3
COWL, LOWER	116	F12
COWL, RR.	80	E6
COWL, UPPER	114	F11
CRANKCASE	23	B11
CRANKCASE COVER, L.	18	B9
CRANKCASE COVER, R.	13	B6
CRANKSHAFT	25	C1
CYLINDER HEAD COVER	2	B1
CYLINDER HEAD FRONT	3	B1
CYLINDER HEAD REAR	5	B2
DELAY VALVE	52	D4
EVAP CANISTER	118	G1
FENDER, FR.	58	D7
FENDER, RR.	95	F1
FORK, FR.	58	D7
FR. BRAKE MASTER CYLINDER	50	D3
FRAME	106	F7
FUEL TANK	74	E3
GASKET KIT A	42	C9
GASKET KIT B	44	C10
GEARSHIFT DRUM	32	C4
HANDLE SWITCH	49	D2
HANDLEBAR	55	D5
HEADLIGHT	46	D1
IGNITION COIL	104	F6
METER	47	D1
MUFFLER	84	E8
OIL COOLER	108	F8
OIL PUMP	21	B10
PEDAL	86	E9
PROPORTIONING VALVE	68	D12
PULSE ALTERNATOR	16	B8
RADIATOR	111	F9
RR. BRAKE MASTER CYLINDER	65	D10
SEAT	78	E5
SHOCK ABSORBER, RR.	84	F1
STAND	90	E11
STARTER MOTOR	20	B10
STEERING STEM	57	D8
STEP	87	E9
SWINGARM	82	E12
THROTTLE BODY ASSY	36	C6
THROTTLE BODY COMP	40	C8
THROTTLE BODY TUBING	38	C7
TOOLS	109	F8
TRANSMISSION	29	C2
TURIN SIGNAL	97	F2
WATER PUMP	34	C5
WHEEL, FR.	64	D10
WHEEL, RR.	71	E1
WIRE HARNESS	101	F4

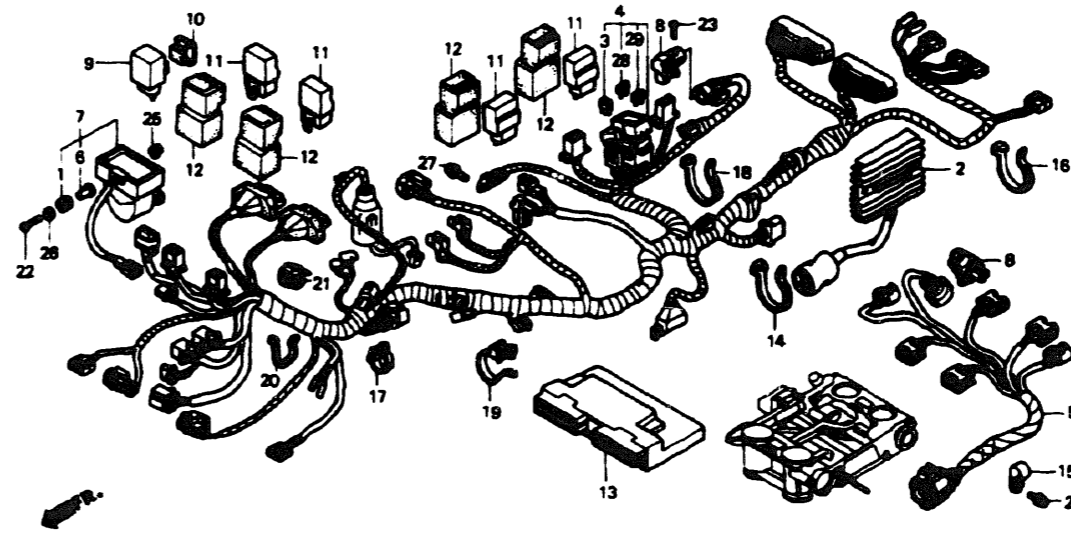
# BATTERY



MBG4F3000

VFR800F'98		AREA CODE	FRAME SERIAL NUMBER	QTY REQ	PART NUMBER	HONDA CODE
Ref. No.	BLOCK NO. F-30 DESCRIPTION					
1	BATTERY (YTX12-BS) (YUASA) .....		-----	1	31500-HA0-686	4176897
	BATTERY (YTX12-BS) (YUASA) .....		-----	1	31500-HF1-677	4615290
	BATTERY (YTX12-BS) (YUASA) .....		-----	1	31500-KM1-837	4466686
2	CABLE, BATTERY STARTER .....		-----	1	32401-MBG-000	5740584
	COVER, STARTER MAGNETIC TERMINAL .....		-----	1	32406-MT4-000	3468279
4	CABLE, STARTER MOTOR .....		-----	1	32410-MBG-000	5740592
5	COVER, STARTER MOTOR TERMINAL ...		-----	1	32411-230-000	0208652
	COVER, STARTER MOTOR TERMINAL ...		-----	1	32411-253-000	0177360
6	COVER, BATTERY TERMINAL .....		-----	1	32414-MW0-000	4043212
7	CABLE, BATTERY GROUND .....		-----	1	32601-MBG-000	5740600
8	SWITCH ASSY., STARTER MAGNETIC ..		-----	1	35850-MT4-000	3468774
9	RUBBER, SHOCK .....		-----	1	35856-MBG-003	5740774
10	BOLT, SOCKET (5X9) .....		-----	2	90111-MR5-000	3141603
11	BOLT, FLANGE (6X12) .....		-----	1	96300-06012-00	1829878
12	FUSE, BLADE (30A) .....		-----	3	98200-33000	1644251

# WIRE HARNESS



MBG4F3100A

VFR800F'98		AREA CODE	FRAME SERIAL NUMBER	QTY REQ	PART NUMBER	HONDA CODE
Ref. No.	BLOCK NO. F-31 DESCRIPTION					
1	GROMMET .....		-----	2	35163-MW5-003	2820744
2	RECTIFIER ASSY., REGULATE .....		-----	1	31600-MBG-003	5774559
3	DIODE ASSY., THREE-WAY .....		-----	1	31730-MAS-601	4936522
4	WIRE HARNESS .....	A	-----	1	32100-MBG-670	5740535
	WIRE HARNESS .....	AC	-----	1	32100-MBG-770	5740543
5	SUB-HARNESS, INJECTOR .....		-----	1	32103-MBG-000	5740550
6	COLLAR .....		-----	2	35162-MW5-003	2820736
7	SENSOR ASSY., KILL .....		-----	1	35160-MBG-003	5740733
8	SENSOR ASSY., MAP .....		-----	2	37830-P13-003	4282240
9	RELAY COMP., TURN SIGNAL (MITSUBA) .....		-----	1	38301-KK9-952	2247898
10	SUSPENSION, TURN SIGNAL RELAY ...		-----	1	38306-ME9-772	1811314
11	RELAY COMP., STARTER .....		-----	4	38501-GN2-014	3030079
12	SUSPENSION, STARTER RELAY (MITSUBA) .....		-----	4	38506-GC7-611	2870566
13	PGM-FI UNIT .....	A	-----	1	38770-MBG-671	5774617

AMERICAN HONDA MOTOR CO. INC. 1998 101

# CONTENTS

TITLE	PAGE	GRID
AIR CLEANER	82	E7
AIR SUCTION VALVE	41	C8
ALTERNATOR	17	B8
BATTERY	100	F4
BRAKE CALIPER, FR.	61	D8
BRAKE CALIPER, RR.	69	D12
CAMSHAFT	8	B4
CAUTION LABEL	120	G2
CLUTCH	14	B7
CLUTCH MASTER CYLINDER	53	D4
COMBINATION LIGHT, RR.	98	F3
COWL, LOWER	116	F12
COWL, RR.	80	E6
COWL, UPPER	114	F11
CRANKCASE	23	B11
CRANKCASE COVER, L.	18	B9
CRANKCASE COVER, R.	13	B6
CRANKSHAFT	26	C1
CYLINDER HEAD COVER	2	B1
CYLINDER HEAD FRONT	3	B1
CYLINDER HEAD REAR	5	B2
DELAY VALVE	52	D4
EVAP CANISTER	118	G1
FENDER, FR.	58	D7
FENDER, RR.	95	F1
FORK, FR.	59	D7
FR. BRAKE MASTER CYLINDER	50	D3
FRAME	106	F7
FUEL TANK	74	E3
GASKET KIT A	42	C9
GASKET KIT B	44	C10
GEARSHIFT DRUM	32	C4
HANDLE SWITCH	49	D2
HANDLEBAR	55	D5
HEADLIGHT	46	D1
IGNITION COIL	104	F6
METER	47	D1
MUFFLER	84	E8
OIL COOLER	108	F8
OIL PUMP	21	B10
PEDAL	86	E9
PROPORTIONING VALVE	68	D12
PULSE ALTERNATOR	16	B8
RADIATOR	111	F9
RR. BRAKE MASTER CYLINDER	65	D10
SEAT	78	E5
SHOCK ABSORBER, RR.	94	F1
STAND	90	E11
STARTER MOTOR	20	B10
STEERING STEM	57	D6
STEP	87	E9
SWINGARM	92	E12
THROTTLE BODY ASSY.	36	C6
THROTTLE BODY COMP.	40	C8
THROTTLE BODY TUBING	39	C7
TOOLS	109	F8
TRANSMISSION	29	C2
TURN SIGNAL	97	F2
WATER PUMP	34	C5
WHEEL, FR.	64	D10
WHEEL, RR.	71	E1
WIRE HARNESS	101	F4

GRID

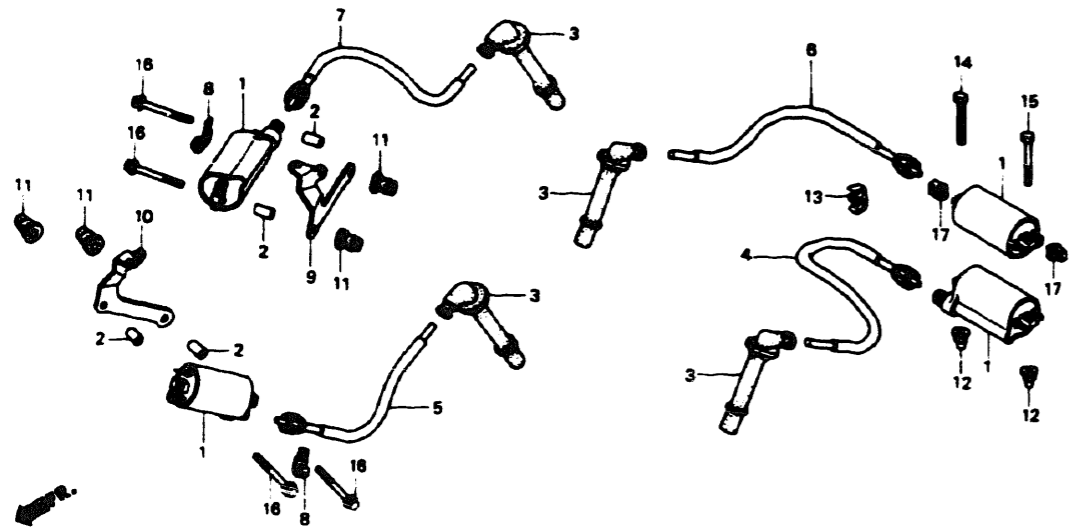
F4







# IGNITION COIL



MBG4F3101A

VFR800F1'98		A R E A C O D E	Q T Y R E Q	P A R T N U M B E R	H O N D A C O D E
Ref. No.	BLOCK NO. F-31-1 DESCRIPTION				
	1 COIL COMP., IGNITION .....		4	30500-MBG-003	5740436
	2 COLLAR, IGNITION COIL SETTING ...		4	30507-439-930	1105998
	3 CAP ASSY., NOISE SUPPRESSOR .....		4	30700-MBG-000	5740444
	4 WIRE ASSY., IGNITION (1) .....		1	30731-MBG-003	5740469
	5 WIRE ASSY., IGNITION (2) .....	A	1	30732-MBG-003	5740477
		AC	1	30732-MBG-003	5740477
	WIRE ASSY., IGNITION (2) .....	A	1	30732-MBG-013	5828579
		AC	1	30732-MBG-013	5828579
	6 WIRE ASSY., IGNITION (3) .....		1	30733-MBG-003	5740485
	7 WIRE ASSY., IGNITION (4) .....	A	1	30734-MBG-003	5740501
		AC	1	30734-MBG-003	5740501
	WIRE ASSY., IGNITION (4) .....	A	1	30734-MBG-013	5828587
		AC	1	30734-MBG-013	5828587
	8 CLIP, PULSER WIRE .....		2	32925-958-000	1771013
	9 STAY, R. IGNITION COIL .....		1	64514-MBG-000	5742200
	10 STAY, L. IGNITION COIL .....		1	64515-MBG-000	5742218
	11 NUT, COWL SETTING (6MM) .....		4	90114-KAS-900	4527065

VFR800F1'98		A R E A C O D E	Q T Y R E Q	P A R T N U M B E R	H O N D A C O D E
Ref. No.	BLOCK NO. F-31-1 DESCRIPTION				
	12 NUT, SPECIAL (6MM) .....		2	90301-088-660	5742721
	13 CLIP, IGNITION WIRE .....		1	90658-2A0-930	1979129
	14 BOLT, HEX. (6X65) .....		1	92101-06065-4J	4468328
	15 BOLT, HEX. (6X65) .....		1	92101-06065-4J	4468328
	16 BOLT, FLANGE (6X50) .....		4	96001-06050-00	2106052
	17 SPACER, IGNITION COIL .....		2	30520-ML7-000	2404895

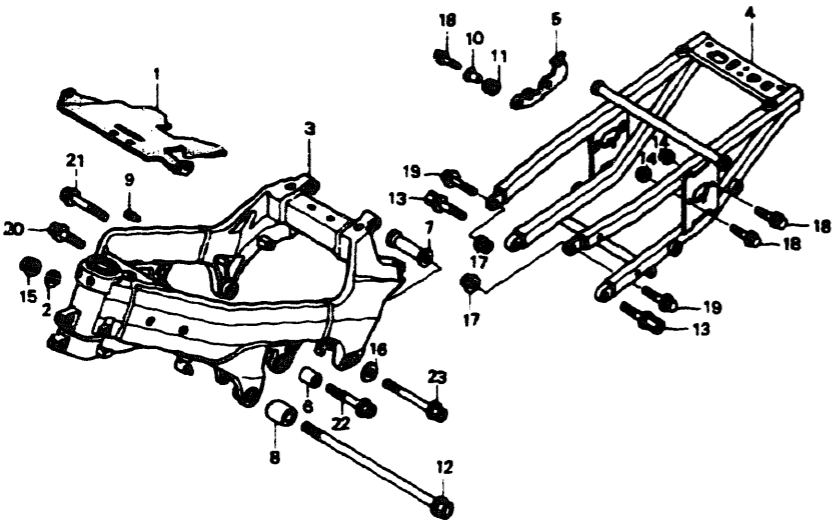
# CONTENTS

TITLE	PAGE	GRID
AIR CLEANER	82	E7
AIR SUCTION VALVE	41	C8
ALTERNATOR	17	B8
BATTERY	100	F4
BRAKE CALIPER, FR.	61	D8
BRAKE CALIPER, RR.	69	D12
CAMSHAFT	8	B4
CAUTION LABEL	120	G2
CLUTCH	14	B7
CLUTCH MASTER CYLINDER	53	D4
COMBINATION LIGHT, RR.	98	F3
COWL, LOWER	116	F12
COWL, RR.	80	E6
COWL, UPPER	114	F11
CRANKCASE	23	B11
CRANKCASE COVER, L.	18	B9
CRANKCASE COVER, R.	13	B6
CRANKSHAFT	26	C1
CYLINDER HEAD COVER	2	B1
CYLINDER HEAD FRONT	3	B1
CYLINDER HEAD REAR	5	B2
DELAY VALVE	52	D4
EVAP CANISTER	118	G1
FENDER, FR.	58	D7
FENDER, RR.	95	F1
FORK, FR.	59	D7
FR. BRAKE MASTER CYLINDER	50	D3
FRAME	106	F7
FUEL TANK	74	E3
GASKET KIT A	42	C9
GASKET KIT B	44	C10
GEARSHIFT DRUM	32	C4
HANDLE SWITCH	49	D2
HANDLEBAR	55	D5
HEADLIGHT	46	D1
IGNITION COIL	104	F6
METER	47	D1
MUFFLER	84	E8
OIL COOLER	108	F8
OIL PUMP	21	B10
PEDAL	86	E9
PROPORTIONING VALVE	68	D12
PULSE ALTERNATOR	16	B8
RADIATOR	111	F9
RR. BRAKE MASTER CYLINDER	65	D10
SEAT	78	E5
SHOCK ABSORBER, RR.	94	F1
STAND	90	E11
STARTER MOTOR	20	B10
STEERING STEM	57	D6
STEP	87	E9
SWINGARM	92	E12
THROTTLE BODY ASSY.	36	C6
THROTTLE BODY COMP.	40	C8
THROTTLE BODY TUBING	38	C7
TOOLS	109	F8
TRANSMISSION	29	C2
TURN SIGNAL	97	F2
WATER PUMP	34	C5
WHEEL, FR.	64	D10
WHEEL, RR.	71	E1
WIRE HARNESS	101	F4

GRID

F6

**FRAME**



MBG4F3200

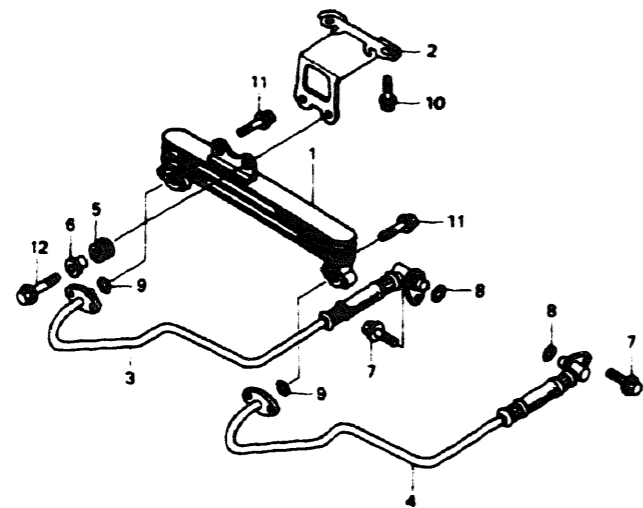
VFR800F'98							
Ref. No.	BLOCK NO. F-32 DESCRIPTION	AREA CODE	FRAME SERIAL NUMBER		QTY REQ	PART NUMBER	HONDA CODE
			FROM	TO			
1	GUARD, AIR CLEANER	A AC	---	---	1	19036-MBG-000	5739909
2	WASHER A, FR. DISK		---	---	1	45224-KV3-951	5741475
3	FRAME COMP.		---	---	1	50100-MBG-670	5858063
	FRAME COMP.		---	---	1	50100-MBG-770	5741541
4	RAIL COMP., SEAT		---	---	1	50240-MBG-000	5741566
5	STAY, RELAY MOUNTING		---	---	1	50271-MBG-000	5741574
6	COLLAR, ENGINE HANGER		---	---	1	50355-MBG-000	5741582
7	COLLAR, ENGINE HANGER		---	---	1	50356-MBG-000	5741590
8	COLLAR, ENGINE HANGER		---	---	1	50357-MBG-000	5741608
9	PLUG, HANDLE COVER (LOWER)		---	---	1	53125-174-670	0936419
10	COLLAR, FR. FENDER		---	---	2	61104-357-000	0321752
	COLLAR, FR. FENDER		---	---	2	61104-428-000	0687558
11	RUBBER B, SEAT MOUNTING		---	---	2	77208-KW7-900	5774807
12	BOLT, FLANGE (12X365)		---	---	1	90103-MM5-000	2551836
13	BOLT, SPECIAL (10X37)	---	---	2	90110-MZ7-000	4468237	
14	NUT, OPEN STAY (6MM)	---	---	2	90301-693-000	1060698	

VFR800F'98							
Ref. No.	BLOCK NO. F-32 DESCRIPTION	AREA CODE	FRAME SERIAL NUMBER		QTY REQ	PART NUMBER	HONDA CODE
			FROM	TO			
15	NUT, FLANGE (12MM)	---	---	---	1	90367-SL0-000	3556552
16	WASHER, PLAIN (10MM)	---	---	---	1	90502-MM8-610	3007317
17	NUT, FLANGE (10MM)	---	---	---	2	94050-10000	0483867
18	BOLT, FLANGE (6X20)	---	---	---	4	95701-06020-00	2105815
19	BOLT, FLANGE (10X40)	---	---	---	2	95701-10040-00	2756310
20	BOLT, FLANGE (10X45)	---	---	---	1	95801-10045-00	2552636
21	BOLT, FLANGE (10X55)	---	---	---	1	95801-10055-00	4259982
22	BOLT, FLANGE (10X62)	---	---	---	1	90151-H05-000	2920742
	BOLT, FLANGE (10X65)	---	---	---	1	95801-10065-00	2735629
23	BOLT, FLANGE (10X100)	---	---	---	1	95801-10100-00	3473766

**CONTENTS**

TITLE	PAGE	GRID
AIR CLEANER	82	E7
AIR SUCTION VALVE	41	C8
ALTERNATOR	17	B8
BATTERY	100	F4
BRAKE CALIPER, FR.	61	D8
BRAKE CALIPER, RR.	69	D12
CAMSHAFT	8	B4
CAUTION LABEL	120	G2
CLUTCH	14	B7
CLUTCH MASTER CYLINDER	53	D4
COMBINATION LIGHT, RR.	98	F3
COWL, LOWER	116	F12
COWL, RR.	80	E6
COWL, UPPER	114	F11
CRANKCASE	23	B11
CRANKCASE COVER, L.	18	B9
CRANKCASE COVER, R.	13	B6
CRANKSHAFT	26	C1
CYLINDER HEAD COVER	2	B1
CYLINDER HEAD FRONT	3	B1
CYLINDER HEAD REAR	5	B2
DELAY VALVE	52	D4
EVAP CANISTER	118	G1
FENDER, FR.	58	D7
FENDER, RR.	95	F1
FORK, FR.	59	D7
FR. BRAKE MASTER CYLINDER	50	D3
FRAME	106	F7
FUEL TANK	74	E3
GASKET KIT A	42	C9
GASKET KIT B	44	C10
GEARSHIFT DRUM	32	C4
HANDLE SWITCH	49	D2
HANDLEBAR	55	D5
HEADLIGHT	46	D1
IGNITION COIL	104	F6
METER	47	D1
MUFFLER	84	E8
OIL COOLER	108	F8
OIL PUMP	21	B10
PEDAL	86	E9
PROPORTIONING VALVE	68	D12
PULSE ALTERNATOR	16	B8
RADIATOR	111	F9
RR. BRAKE MASTER CYLINDER	65	D10
SEAT	78	E5
SHOCK ABSORBER, RR.	94	F1
STAND	90	E11
STARTER MOTOR	20	B10
STEERING STEM	57	D6
STEP	87	E9
SWINGARM	92	E12
THROTTLE BODY ASSY	36	C6
THROTTLE BODY COMP	40	C8
THROTTLE BODY TUBING	38	C7
TOOLS	109	F8
TRANSMISSION	29	C2
TURN SIGNAL	97	F2
WATER PUMP	34	C5
WHEEL, FR.	64	D10
WHEEL, RR.	71	E1
WIRE HARNESS	101	F4

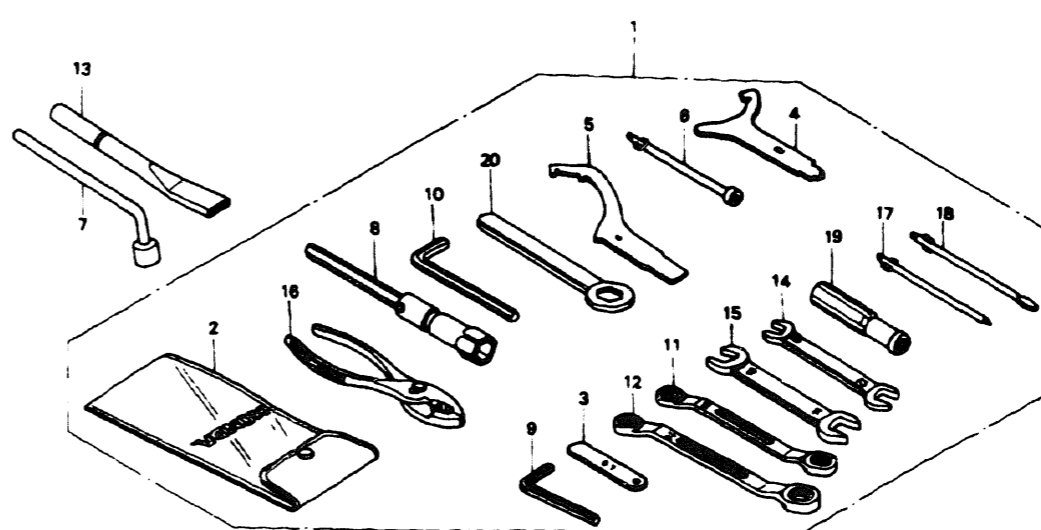
# OIL COOLER



MBG4F3300

VFR800F1'98		AREA CODE	FRAME SERIAL NUMBER	QTY REQ	PART NUMBER	HONDA CODE
Ref. No.	BLOCK NO. DESCRIPTION					
	F-33		FROM TO			
1	COOLER COMP., OIL		-----	1	15600-MBG-000	5738943
2	STAY, OIL COOLER		-----	1	15601-MBG-000	5738950
3	PIPE COMP., R. OIL HOSE		-----	1	15650-MBG-000	5738968
4	PIPE COMP., L. OIL HOSE		-----	1	15660-MBG-000	5738976
5	RUBBER, RADIATOR SETTING		-----	2	19051-KA3-830	1906759
6	RUBBER, RADIATOR SETTING		-----	2	19052-MNB-000	2897270
7	BOLT, FLANGE (8X22)		-----	2	90103-MJ1-000	1735299
8	O-RING (11.1X3.5)		-----	2	91255-MJ1-000	1694249
9	O-RING (9.6X2.6) (ARAI)		-----	2	91309-ML7-003	2408847
10	BOLT, FLANGE (6X12)		-----	2	95701-06012-02	2801298
11	BOLT, FLANGE (6X20)		-----	4	96001-06020-00	2529154
12	BOLT, FLANGE (6X22)		-----	2	96001-06022-07	2105971

# TOOLS



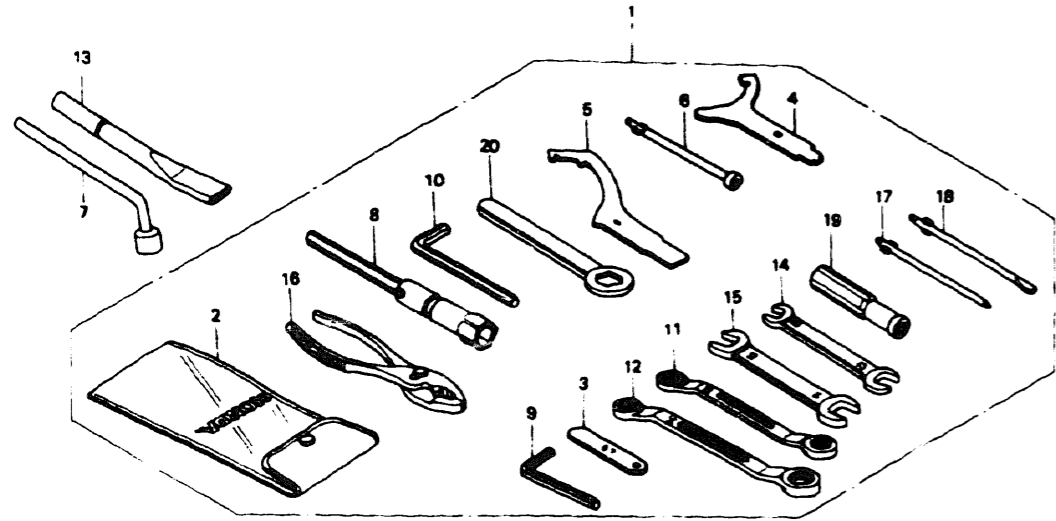
MBG4F3400

VFR800F1'98		AREA CODE	FRAME SERIAL NUMBER	QTY REQ	PART NUMBER	HONDA CODE
Ref. No.	BLOCK NO. DESCRIPTION					
	F-34		FROM TO			
1	TOOL SET		-----	1	89010-MBG-000	5774856
2	BAG, TOOL		-----	1	89101-ME5-670	1669480
	BAG, TOOL		-----	1	89101-300-010	0192369
	BAG, TOOL (200MM)		-----	1	99008-02000	0268185
3	GAUGE, FEELER (0.7)		-----	1	89103-371-000	0443663
4	SPANNER, PIN		-----	1	89201-MR8-000	3472727
5	WRENCH, PIN (OPEN END)		-----	1	89202-KV0-000	2544401
6	WRENCH, BOX (8MM)		-----	1	89211-KJ2-000	2410462
7	WRENCH, WHEEL (19MM)		-----	1	89211-MT4-000	3472735
8	WRENCH, PLUG (16.5)		-----	1	89216-MBG-000	5774864
9	WRENCH, HEX. (6MM)		-----	1	89221-422-000	0694174
10	WRENCH, HEX. (5MM)		-----	1	89221-429-000	0786046
11	WRENCH, EYE (10X12)		-----	1	89227-461-000	0918813
12	WRENCH, EYE (14X17)		-----	1	89228-MR8-000	3472743
13	GRIP, RR. WHEEL WRENCH		-----	1	89256-MT4-000	3472750
14	WRENCH (8X12) (OPEN END)		-----	1	99001-08120	0145649

# CONTENTS

TITLE	PAGE	GRID
AIR CLEANER	82	E7
AIR SUCTION VALVE	41	C8
ALTERNATOR	17	B8
BATTERY	100	F4
BRAKE CALIPER, FR.	61	D8
BRAKE CALIPER, RR.	69	D12
CAMSHAFT	8	B4
CAUTION LABEL	120	G2
CLUTCH	14	B7
CLUTCH MASTER CYLINDER	53	D4
COMBINATION LIGHT, RR.	98	F3
COWL, LOWER	116	F12
COWL, RR.	80	E6
COWL, UPPER	114	F11
CRANKCASE	23	B11
CRANKCASE COVER, L.	18	B9
CRANKCASE COVER, R.	13	B6
CRANKSHAFT	26	C1
CYLINDER HEAD COVER	2	B1
CYLINDER HEAD FRONT	3	B1
CYLINDER HEAD REAR	5	B2
DELAY VALVE	52	D4
EVAP CANISTER	118	G1
FENDER, FR.	58	D7
FENDER, RR.	95	F1
FORK, FR.	58	D7
FR. BRAKE MASTER CYLINDER	50	D3
FRAME	106	F7
FUEL TANK	74	E3
GASKET KIT A	42	C9
GASKET KIT B	44	C10
GEARSHIFT DRUM	32	C4
HANDLE SWITCH	49	D2
HANDLEBAR	55	D5
HEADLIGHT	46	D1
IGNITION COIL	104	F6
METER	47	D1
MUFFLER	84	E8
OIL COOLER	108	F8
OIL PUMP	21	B10
PEDAL	86	E9
PROPORTIONING VALVE	68	D12
PULSE ALTERNATOR	16	B8
RADIATOR	111	F9
RR. BRAKE MASTER CYLINDER	65	D10
SEAT	78	E5
SHOCK ABSORBER, RR.	94	F1
STAND	90	E11
STARTER MOTOR	20	B10
STEERING STEM	57	D6
STEP	87	E9
SWINGARM	92	E12
THROTTLE BODY ASSY	36	C6
THROTTLE BODY COMP	40	C8
THROTTLE BODY TUBING	38	C7
TOOLS	109	F8
TRANSMISSION	29	C2
TURN SIGNAL	97	F2
WATER PUMP	34	C5
WHEEL, FR.	64	D10
WHEEL, RR.	71	E1
WIRE HARNESS	101	F4

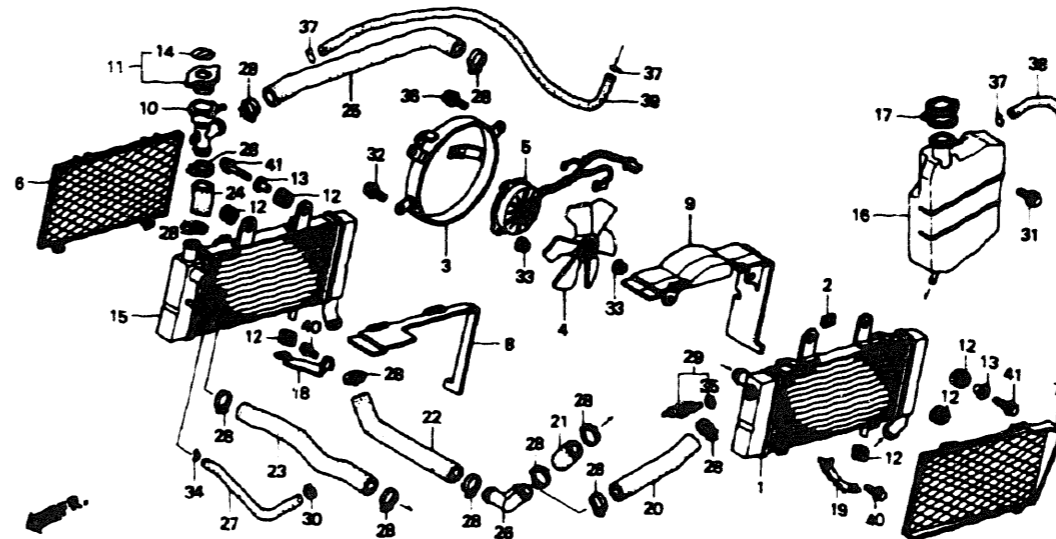
# TOOLS



MBG4F3400

VFR800F1'98		AREA CODE	FRAME SERIAL NUMBER		QTY REQ	PART NUMBER	HONDA CODE
Ref No.	BLOCK NO. DESCRIPTION		FROM	TO			
	15 WRENCH (10X14) (OPEN END) .....		-----	-----	1	99001-10140	0069245
	16 PLIERS (135MM) .....		-----	-----	1	99002-13500	0069252
	17 DRIVER 1, PLUS SCREW (NO.2) .....		-----	-----	1	99003-10000	0052423
	18 SCREWDRIVER 3, STRAIGHT SLOT (NO. 2) .....		-----	-----	1	99003-30000	0052449
	19 GRIP .....		-----	-----	1	99003-50000	0052464
	20 WRENCH, EYE (22MM) .....		-----	-----	1	99006-22000	0268227

# RADIATOR



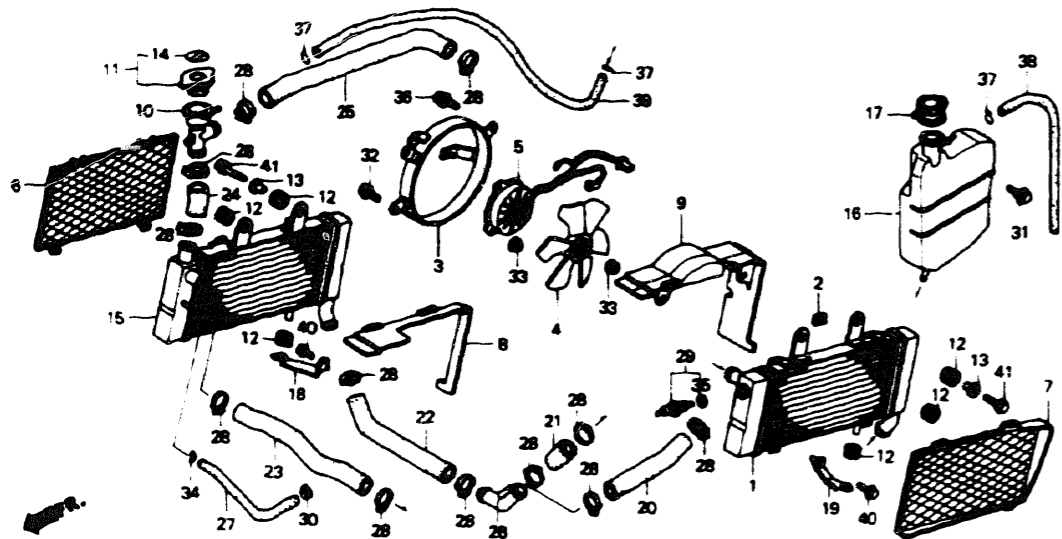
MBG4F3500

VFR800F1'98		AREA CODE	FRAME SERIAL NUMBER		QTY REQ	PART NUMBER	HONDA CODE
Ref No.	BLOCK NO. DESCRIPTION		FROM	TO			
	1 RADIATOR COMP., L. ....		-----	-----	1	19010-MBG-000	5739834
	2 NUT, SET .....		-----	-----	3	19014-KEA-003	5213525
	3 SHROUD COMP. ....		-----	-----	1	19015-MBG-000	5739842
	4 FAN COMP., COOLING .....		-----	-----	1	19020-M68-003	2012037
	5 MOTOR ASSY., FAN .....		-----	-----	1	19030-MBG-000	5739859
	6 GRILLE, R. RADIATOR .....		-----	-----	1	19032-MBG-000	5739867
	7 GRILLE, L. RADIATOR .....		-----	-----	1	19033-MBG-000	5739875
	8 GUIDE, R. RADIATOR (INNER) .....		-----	-----	1	19034-MBG-000	5739883
	9 GUIDE, L. RADIATOR (INNER) .....		-----	-----	1	19035-MBG-000	5739891
	10 NECK, FILLER .....		-----	-----	1	19038-MAL-601	4637799
	11 CAP COMP., RADIATOR .....		-----	-----	1	19045-GBF-700	5073770
	12 RUBBER, RADIATOR SETTING .....		-----	-----	6	19051-KA3-830	1906759
	13 RUBBER, RADIATOR SETTING .....		-----	-----	2	19052-MN8-000	2897270
	14 SEAL, RADIATOR CAP (ENGLISH/FRENCH/JAPANESE) .....		-----	-----	1	19055-MV9-881	4604476
	15 RADIATOR COMP., R. ....		-----	-----	1	19060-MBG-000	5774294

# CONTENTS

TITLE	PAGE	GRID
AIR CLEANER	82	E7
AIR SUCTION VALVE	41	C8
ALTERNATOR	17	B8
BATTERY	100	F4
BRAKE CALIPER, FR.	61	D8
BRAKE CALIPER, RR.	69	D12
CAMSHAFT	8	B4
CAUTION LABEL	100	G2
CLUTCH	14	B7
CLUTCH MASTER CYLINDER	53	D4
COMBINATION LIGHT, RR.	98	F3
COWL, LOWER	116	F12
COWL, RR.	80	E6
COWL, UPPER	114	F11
CRANKCASE	23	B11
CRANKCASE COVER, L.	18	B9
CRANKCASE COVER, R.	13	B6
CRANKSHAFT	26	C1
CYLINDER HEAD COVER	2	B1
CYLINDER HEAD FRONT	3	B1
CYLINDER HEAD REAR	5	B2
DELAY VALVE	52	D4
EVAP CANISTER	118	G1
FENDER, FR.	58	D7
FENDER, RR.	95	F1
FORK, FR.	59	D7
FR. BRAKE MASTER CYLINDER	50	D3
FRAME	106	F7
FUEL TANK	74	E3
GASKET KIT A	42	C9
GASKET KIT B	44	C10
GEARSHIFT DRUM	32	C4
HANDLE SWITCH	49	D2
HANDLEBAR	55	D5
HEADLIGHT	46	D1
IGNITION COIL	104	F6
METER	47	D1
MUFFLER	84	E8
OIL COOLER	108	F8
OIL PUMP	21	B10
PEDAL	86	E9
PROPORTIONING VALVE	68	D12
PULSE ALTERNATOR	16	B8
RADIATOR	111	F9
RR. BRAKE MASTER CYLINDER	65	D10
SEAT	78	E5
SHOCK ABSORBER, RR.	94	F1
STAND	90	E11
STARTER MOTOR	20	B10
STEERING STEM	57	D8
STEP	87	E9
SWINGARM	92	E12
THR. ITTLE BODY ASSY	36	C6
THROTTLE BODY COMP	40	C8
THROTTLE BODY TUBING	38	C7
TOOLS	109	F8
TRANSMISSION	29	C2
TURN SIGNAL	97	F2
WATER PUMP	34	C5
WHEEL, FR.	64	D10
WHEEL, RR.	71	E1
WIRE HARNESS	101	F4

# RADIATOR



MBG4F3500

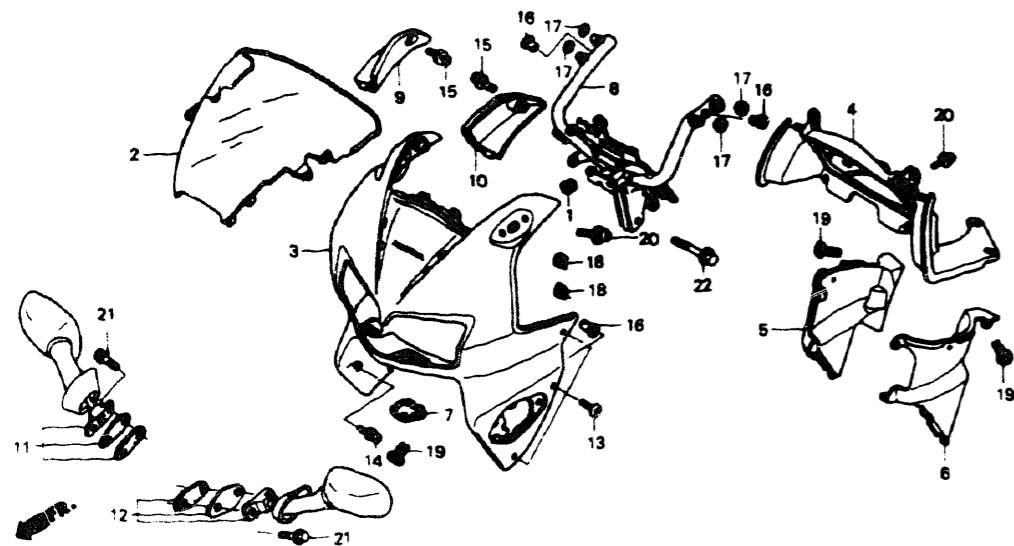
VFR800F1'98		AREA CODE	QTY REQ	PART NUMBER	HONDA CODE
Ref No.	BLOCK NO DESCRIPTION				
		FRAME SERIAL NUMBER			
		FROM	TO		
16	TANK, RADIATOR RESERVE .....	-----	-----	1 19101-MBG-000	5739917
17	CAP, RESERVE TANK .....	-----	-----	1 19104-MB0-700	1308071
18	STAY, R. RADIATOR (LOWER) .....	-----	-----	1 19132-MBG-000	5739925
19	STAY, L. RADIATOR (LOWER) .....	-----	-----	1 19135-MBG-000	5739933
20	HOSE, RADIATOR (LOWER) .....	-----	-----	1 19501-MBG-000	5739990
21	HOSE, L. RADIATOR (LOWER) .....	-----	-----	1 19502-MBG-000	5740006
22	HOSE, R. RADIATOR (LOWER) .....	-----	-----	1 19503-MBG-000	5740014
23	HOSE, RADIATOR MIDDLE (UPPER) ...	-----	-----	1 19504-MBG-000	5740022
24	HOSE, RADIATOR (UPPER) .....	-----	-----	1 19505-MBG-000	5740030
25	HOSE, R. RADIATOR (UPPER) .....	-----	-----	1 19506-MBG-000	5740048
26	JOINT, THREE-WAY .....	-----	-----	1 19507-MBG-000	5740055
27	HOSE, RADIATOR BREATHER .....	-----	-----	1 19508-MBG-000	5740063
28	CLAMP, HOSE (30-37) .....	-----	-----	12 19516-GAG-003	3822319
29	SWITCH ASSY., THERMOSTAT .....	-----	-----	1 37760-MT2-003	3042678
30	CLAMP, MASTER CYLINDER OIL HOSE (NISSIN) .....	-----	-----	1 45514-KV3-006	2827681

VFR800F1'98		AREA CODE	QTY REQ	PART NUMBER	HONDA CODE
Ref No.	BLOCK NO DESCRIPTION				
		FRAME SERIAL NUMBER			
		FROM	TO		
31	BOLT, FLANGE (6MM) .....	-----	-----	1 90116-ME9-000	1371038
32	BOLT-WASHER (6X16) .....	-----	-----	1 90120-KCR-003	5216163
33	NUT, SERRATE (5MM) .....	-----	-----	4 90315-MK3-003	2045912
34	CLIP, TUBE .....	-----	-----	1 90651-KV0-700	2890222
35	O-RING (13.5X1.4) .....	-----	-----	1 91307-PH7-660	2514651
	O-RING (12.5X1.4) .....	-----	-----	1 91307-611-000	0347906
36	BOLT-WASHER (6X20) .....	-----	-----	2 93401-06020-08	2945152
37	CLIP, TUBE (B10) .....	-----	-----	3 95002-02100	0250985
38	BULK HOSE, VACUUM (5.5X3000) (5.3X500) .....	-----	-----	1 95005-55003-20M	2449619
39	BULK HOSE, VACUUM (5.5X3000) (5.3X800) .....	-----	-----	1 95005-55003-20M	2449619
40	BOLT, FLANGE (6X12) .....	-----	-----	2 96001-06012-00	2105930
41	BOLT, FLANGE (6X25) .....	-----	-----	2 96001-06025-07	2105997

# CONTENTS

TITLE	PAGE	GRID
AIR CLEANER	82	E7
AIR SUCTION VALVE	41	C2
ALTERNATOR	17	B8
BATTERY	100	F4
BRAKE CALIPER FR.	61	D8
BRAKE CALIPER RR.	69	D12
CAMSHAFT	8	B4
CAUTION LABEL	120	G2
CLUTCH	14	B7
CLUTCH MASTER CYLINDER	53	D4
COMBINATION LIGHT, RR.	98	F3
COWL LOWER	116	F12
COWL, RR.	80	E6
COWL UPPER	114	F11
CRANKCASE	23	B11
CRANKCASE COVER L	18	B9
CRANKCASE COVER R	13	B6
CRANKSHAFT	26	C1
CYLINDER HEAD COVER	2	B1
CYLINDER HEAD FRONT	3	B1
CYLINDER HEAD REAR	5	B2
DELAY VALVE	52	D4
EVAP CANISTER	118	G1
FENDER, FR.	58	D7
FENDER, RR.	95	F1
FORK, FR.	59	D7
FR. BRAKE MASTER CYLINDER	50	D3
FRAME	106	F7
FUEL TANK	74	E3
GASKET KIT A	42	C9
GASKET KIT B	44	C10
GEARSHIFT DRUM	32	C4
HANDLE SWITCH	49	D2
HANDLEBAR	55	D5
HEADLIGHT	46	D1
IGNITION COIL	104	F6
METER	47	D1
MUFFLER	84	E8
OIL COOLER	108	F8
OIL PUMP	21	B10
PEDAL	86	E9
PROPORTIONING VALVE	68	D12
PULSE ALTERNATOR	16	B8
RADIATOR	111	F9
RR. BRAKE MASTER CYLINDER	65	D10
SEAT	78	E5
SHOCK ABSORBER, RR.	94	F1
STAND	90	F11
STARTER MOTOR	20	B10
STEERING STEM	57	D6
STEP	87	E9
SWINGARM	92	E12
THROTTLE BODY ASSY.	36	C6
THROTTLE BODY COMP	40	C8
THROTTLE BODY TUBING	38	C7
TOOLS	109	F8
TRANSMISSION	29	C2
TURN SIGNAL	97	F2
WATER PUMP	34	C5
WHEEL, FR.	64	D10
WHEEL, RR.	71	E1
WIRE HARNESS	101	F4

# UPPER COWL



MBG4F3800A

# UPPER COWL

Color chart for upper cowl set

Type	Main body color	Color label code
TYPE 1	Italian red	R157
TYPE 2 1	Mute black metallic	NH359
TYPE 3 1	Sparkling silver metallic	NH295

F14MBGW36 C

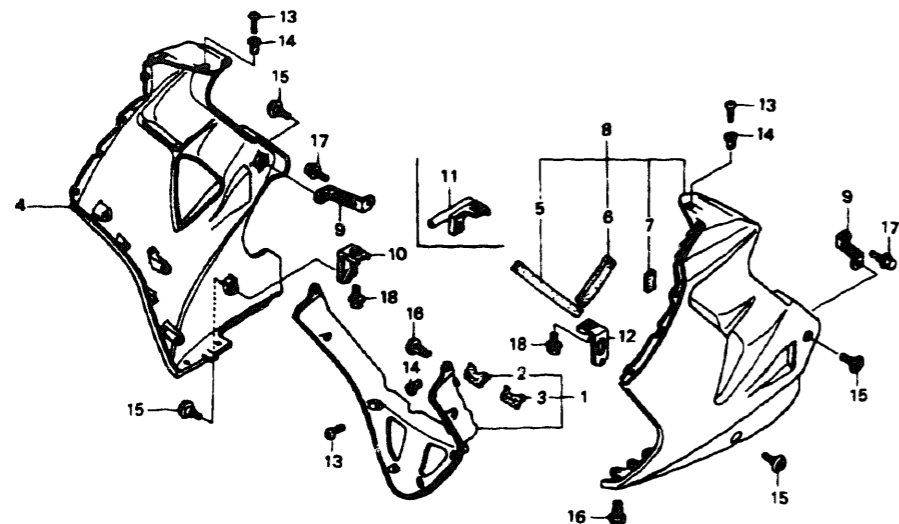
VFR800F198		AREA CODE	QTY REQ	PART NUMBER	HONDA CODE
Ref. No.	BLOCK NO. F-36 DESCRIPTION				
		FRAME SERIAL NUMBER			
		FROM	TO		
1	RUBBER, RADIATOR SETTING			19051-KA3-830	1906759
2	SCREEN, WIND			64201-MBG-650	5774781
3	COWL SET (UPPER) (TYPE1) (WL)			64210-MBG-000ZA	5741970
4	PANEL, METER *NH220R* (SMOKE GRAY)			64330-MBG-000ZB	5742085
5	PANEL, R. (INNER)			64340-MBG-000	5742093
6	PANEL, L. (INNER)			64350-MBG-000	5742101
7	CAP, MAINTENANCE *NH1* (BLACK)			64365-MAT-000ZA	5215538
8	STAY, COWL (UPPER)			64500-MBG-000	5742150
9	COVER, R. COWL (UPPER) *NH220R* (SMOKE GRAY)			64591-MBG-000ZB	5742242
10	COVER, L. COWL (UPPER) *NH220R* (SMOKE GRAY)			64596-MBG-000ZB	5742259
11	MIRROR, R. *NH1* (BLACK)			88110-MV9-003ZA	3698842
12	MIRROR, L. *NH1* (BLACK)			88120-MV9-003ZA	3698875

VFR800F198		AREA CODE	QTY REQ	PART NUMBER	HONDA CODE
Ref. No.	BLOCK NO. F-36 DESCRIPTION				
		FRAME SERIAL NUMBER			
		FROM	TO		
13	SCREW, PAN (5X20)			90103-MBG-000	5742598
14	SCREW, TRUSS (5X20)			90109-MT3-000	3487816
15	SCREW, TRUSS (5X16)			90109-SB6-000	1836964
16	NUT, COWL SETTING (5MM)			90111-KM3-003	2909141
17	WASHER, BUMPER			90540-SA7-000	1476969
18	NUT, CLIP (5MM)			90677-GR1-003	2502318
19	CLIP, TRIM			90683-GAZ-003	4529715
20	SCREW-WASHER (5X10)			93891-05010-07	0641159
21	BOLT, FLANGE (6X18)			95701-06018-08	2552487
	BOLT, FLANGE (6X18)			95801-06018-08	2647543
22	BOLT, FLANGE (8X40)			96400-08040-07	2902567

# CONTENTS

TITLE	PAGE	GRID
AIR CLEANER	82	E7
AIR SUCTION VALVE	41	C8
ALTERNATOR	17	B8
BATTERY	100	F4
BRAKE CALIPER, FR.	61	D8
BRAKE CALIPER, RR.	69	D12
CAMSHAFT	8	B4
CAUTION LABEL	120	G2
CLUTCH	14	B7
CLUTCH MASTER CYLINDER	53	D4
COMBINATION LIGHT, RR.	98	F3
COWL, LOWER	116	F12
COWL, RR.	80	E6
COWL, UPPER	114	F11
CRANKCASE	23	B11
CRANKCASE COVER, L.	18	B9
CRANKCASE COVER, R.	13	B6
CRANKSHAFT	26	C1
CYLINDER HEAD COVER	2	B1
CYLINDER HEAD FRONT	3	B1
CYLINDER HEAD REAR	5	B2
DELAY VALVE	52	D4
EVAP CANISTER	118	G1
FENDER, FR.	58	D7
FENDER, RR.	95	F1
FORK, FR.	59	D7
FR. BRAKE MASTER CYLINDER	50	D3
FRAME	106	F7
FUEL TANK	74	E3
GASKET KIT A	42	C9
GASKET KIT B	44	C10
GEARSHIFT DRUM	32	C4
HANDLE SWITCH	49	D2
HANDLEBAR	55	D5
HEADLIGHT	46	D1
IGNITION COIL	104	F6
METER	47	D1
MUFFLER	84	E8
OIL COOLER	108	F8
OIL PUMP	21	B10
PEDAL	86	E9
PROPORTIONING VALVE	68	D12
PULSE ALTERNATOR	16	B8
RADIATOR	111	F9
RR. BRAKE MASTER CYLINDER	65	D10
SEAT	78	E5
SHOCK ABSORBER, RR.	94	F1
STAND	90	E11
STARTER MOTOR	20	B10
STEERING STEM	57	D6
STEP	87	E9
SWINGARM	92	E12
THROTTLE BODY ASSY	36	C6
THROTTLE BODY COMP	40	C8
THROTTLE BODY TUBING	38	C7
TOOLS	109	F8
TRANSMISSION	29	C2
TURN SIGNAL	97	F2
WATER PUMP	34	C5
WHEEL, FR.	64	D10
WHEEL, RR.	71	E1
WIRE HARNESS	101	F4

# LOWER COWL



MBG4F3700

# LOWER COWL

Color chart for side cowl set

Type	Main body color	Color label code
TYPE 1	Italian red	R157
TYPE 2 1	Mute black metallic	NH359
TYPE 3 1	Sparkling silver metallic	NH295

F14MBGW37 C

VFR800F1'98		A R E A  C O D E	F R A M E  S E R I A L  N U M B E R	Q T Y  R E Q	P A R T  N U M B E R	H O N D A  C O D E
Ref. No.	BLOCK NO. F-37 DESCRIPTION					
	1 COWL, HALF (INNER) *NH1* (BLACK) .....		-----	1	64270-MBG-000ZA	5741996
	2 GUARD, R. HALF COWL HEAT (INNER) .		-----	1	64271-MBG-300	5742002
	3 GUARD, L. HALF COWL HEAT (INNER) .		-----	1	64272-MBG-300	5742010
	4 COWL SET, R. SIDE (TYPE4) (WL) ...		-----	1	64310-MBG-670ZA	5742036
	5 SEAL A, FR. SIDE COWL .....		-----	1	64316-MBG-300	5742044
	6 SEAL B, FR. SIDE COWL .....		-----	1	64317-MBG-300	5742051
	7 SEAL C, FR. SIDE COWL .....		-----	1	64318-MBG-300	5774799
	8 COWL SET, L. SIDE (TYPE4) (WL) ...		-----	1	64320-MBG-670ZA	5742077
	9 STAY, FR. SIDE COWL (RR) .....		-----	2	64511-MBG-000	5742168
	10 STAY, R. FR. SIDE COWL (LOWER) ...	A	-----	1	64512-MBG-000	5742176
	11 STAY, R. FR. SIDE COWL (LOWER) ...	AC	-----	1	64512-MBG-770	5742184
	12 STAY, L. FR. SIDE COWL (LOWER) ...		-----	1	64513-MBG-000	5742192
	13 SCREW, PAN (5X20) .....		-----	8	90103-MBG-000	5742598
	14 NUT, COWL SETTING (5MM) .....		-----	8	90111-KW3-003	2909141
	15 BOLT, COWL SETTING .....		-----	4	90112-MT4-000	3472982

F12

VFR800F1'98		A R E A  C O D E	F R A M E  S E R I A L  N U M B E R	Q T Y  R E Q	P A R T  N U M B E R	H O N D A  C O D E
Ref. No.	BLOCK NO. F-37 DESCRIPTION					
	16 CLIP, TRIM .....		-----	4	90683-GAZ-003	4529715
	17 BOLT, FLANGE (6X12) .....		-----	2	95701-06012-00	2105799
	18 BOLT, FLANGE (6X20) .....		-----	2	95701-06020-00	2105815

© AMERICAN HONDA MOTOR CO. INC 1998

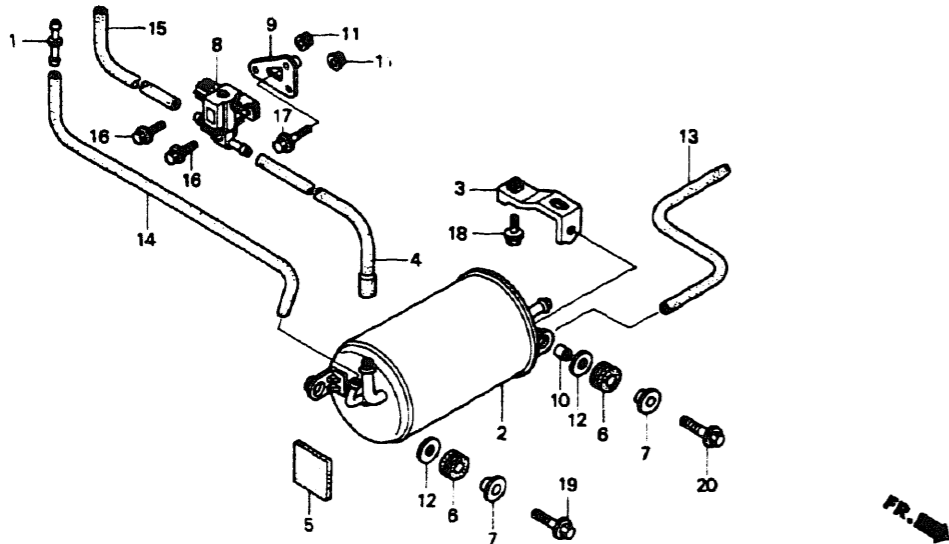
117

# CONTENTS

TITLE	PAGE	GRID
AIR CLEANER	82	E7
AIR SUCTION VALVE	41	C8
ALTERNATOR	17	B8
BATTERY	100	F4
BRAKE CALIPER, FR.	61	D8
BRAKE CALIPER, RR.	69	D12
CAMSHAFT	8	B4
CAUTION LABEL	120	G2
CLUTCH	14	B7
CLUTCH MASTER CYLINDER	53	D4
COMBINATION LIGHT, RR.	98	F3
COWL, LOWER	116	F12
COWL, RR.	80	E6
COWL, UPPER	114	F11
CRANKCASE	23	B11
CRANKCASE COVER, L.	18	B9
CRANKCASE COVER, R.	13	B6
CRANKSHAFT	26	C1
CYLINDER HEAD COVER	2	B1
CYLINDER HEAD FRONT	3	B1
CYLINDER HEAD REAR	5	B2
DELAY VALVE	52	D4
EVAP CANISTER	118	G1
FENDER, FR.	58	D7
FENDER, RR.	95	F1
FORK, FR.	59	D7
FR. BRAKE MASTER CYLINDER	50	D3
FRAME	106	F7
FUEL TANK	74	E3
GASKET KIT A	42	C9
GASKET KIT B	44	C10
GEARSHIFT DRUM	32	C4
HANDLE SWITCH	49	D2
HANDLEBAR	55	D5
HEADLIGHT	46	D1
IGNITION COIL	104	F6
METER	47	D1
MUFFLER	84	E8
OIL COOLER	108	F8
OIL PUMP	21	B10
PEDAL	86	E9
PROPORTIONING VALVE	68	D12
PULSE ALTERNATOR	16	B8
RADIATOR	111	F9
RR. BRAKE MASTER CYLINDER	65	D10
SEAT	78	E5
SHOCK ABSORBER, RR.	94	F1
STAND	90	E11
STARTER MOTOR	20	B10
STEERING STEM	57	D6
STEP	87	E9
SWINGARM	92	E12
THROTTLE BODY ASSY.	36	C6
THROTTLE BODY COMP.	40	C8
THROTTLE BODY TUBING	38	C7
TOOLS	109	F8
TRANSMISSION	29	C2
TURN SIGNAL	97	F2
WATER PUMP	34	C5
WHEEL, FR.	64	D10
WHEEL, RR.	71	E1
WIRE HARNESS	101	F4



# EVAP CANISTER



MBG4F3800A

VFR800F'98		A R E A  C O D E	F R A M E  S E R I A L  N U M B E R	Q T Y  R E Q	P A R T  N U M B E R	H O N D A  C O D E
Ref. No.	BLOCK NO. F-38 DESCRIPTION					
1	JOINT, FUEL TUBE	AC	-----	1	16958-GJ6-000	2403467
2	CANISTER ASSY.	AC	-----	1	17400-MBG-770	5769476
3	STAY, CANISTER	AC	-----	1	17411-MBG-770	5739420
4	TUBE (P.C.S.-CANISTER)	AC	-----	1	17412-MBG-770	5739438
5	MAT, CANISTER PROTECTOR	AC	-----	1	17413-MBG-770	5769484
6	RUBBER, CANISTER SETTING	AC	-----	2	19051-MB4-880	1781509
7	RUBBER, CANISTER SETTING	AC	-----	2	19052-MB4-880	1781517
8	VALVE ASSY., PURGE CONTROL SOLENOID	AC	-----	1	36162-P2M-A01	4842571
9	STAY, PURGE CONTROL SENCER	AC	-----	1	36165-MBG-770	5740790
10	SPACER, HANDLE END GUARD	AC	-----	1	90503-MG7-000	2544963
11	NUT, FLANGE (6MM)	AC	-----	2	94050-06000	0471623
12	WASHER, PLAIN (6MM)	AC	-----	2	94103-06700	0622324
13	BULK HOSE, VACUUM (4.5X1000) (4.5X200)	AC	-----	1	95005-45001-20M	4983714
14	BULK HOSE, VACUUM (4.5X1000) (4.5X630)	AC	-----	1	95005-45001-20M	4983714

G1

VFR800F'98		A R E A  C O D E	F R A M E  S E R I A L  N U M B E R	Q T Y  R E Q	P A R T  N U M B E R	H O N D A  C O D E
Ref. No.	BLOCK NO. F-38 DESCRIPTION					
15	TUBE (8X400) (BULK HOSE: 95005-80001-20M)	AC	-----	1	95005-80400-25	5774989
16	BOLT, FLANGE (6X16)	AC	-----	2	95701-06016-07	2316578
17	BOLT, FLANGE (6X20)	AC	-----	1	95701-06020-00	2105815
18	BOLT, FLANGE (6X22)	AC	-----	1	95701-06022-07	2410926
19	BOLT, FLANGE (6X20)	AC	-----	1	96001-06020-00	2529154
20	BOLT, FLANGE (6X32)	AC	-----	1	96001-06032-00	2106029

119

# CONTENTS

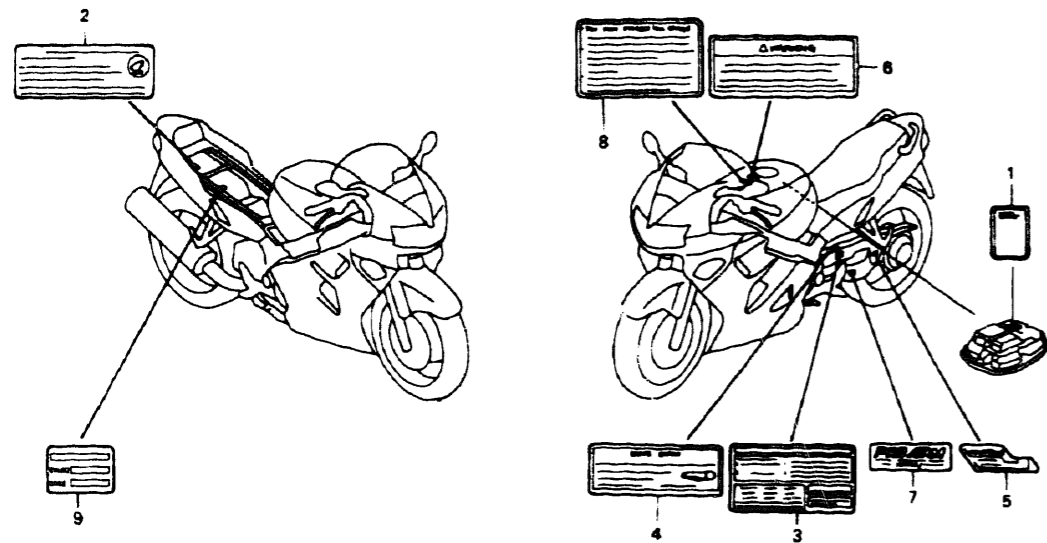
TITLE	PAGE	GRID
AIR CLEANER	82	E7
AIR SUCTION VALVE	41	C8
ALTERNATOR	17	B8
BATTERY	100	F4
BRAKE CALIPER, FR.	61	D8
BRAKE CALIPER, RR.	69	D12
CAMSHAFT	8	B4
CAUTION LABEL	120	G2
CLUTCH	14	B7
CLUTCH MASTER CYLINDER	53	D4
COMBINATION LIGHT, RR.	98	F3
COWL, LOWER	116	F12
COWL, RR.	80	E6
COWL, UPPER	114	F11
CRANKCASE	23	B11
CRANKCASE COVER, L.	18	B9
CRANKCASE COVER, R.	13	B6
CRANKSHAFT	26	C1
CYLINDER HEAD COVER	2	B1
CYLINDER HEAD FRONT	3	B1
CYLINDER HEAD REAR	5	B2
DELAY VALVE	52	D4
EVAP CANISTER	118	G1
FENDER, FR.	58	D7
FENDER, RR.	95	F1
FORK, FR.	59	D7
FR. BRAKE MASTER CYLINDER	50	D3
FRAME	106	F7
FUEL TANK	74	E3
GASKET KIT A	42	C9
GASKET KIT B	44	C10
GEARSHIFT DRUM	32	C4
HANDLE SWITCH	49	D2
HANDLEBAR	55	D5
HEADLIGHT	46	D1
IGNITION COIL	104	F6
METER	47	D1
MUFFLER	84	E8
OIL COOLER	108	F8
OIL PUMP	21	B10
PEDAL	86	E9
PROPORTIONING VALVE	68	D12
PULSE ALTERNATOR	16	B8
RADIATOR	111	F9
RR. BRAKE MASTER CYLINDER	65	D10
SEAT	78	E5
SHOCK ABSORBER, RR.	94	F1
STAND	90	E11
STARTER MOTOR	20	B10
STEERING STEM	57	D6
STEP	87	E9
SWINGARM	92	E12
THROTTLE BODY ASSY.	36	C6
THROTTLE BODY COMP.	40	C8
THROTTLE BODY TUBING	38	C7
TOOLS	109	F8
TRANSMISSION	29	C2
TURN SIGNAL	97	F2
WATER PUMP	34	C5
WHEEL, FR.	64	D10
WHEEL, RR.	71	E1
WIRE HARNESS	101	F4

GRID

**G1**



# CAUTION LABEL



"CAUTION OR WARNING LABELS MUST BE ORDERED SEPARATELY WHEN APPLICABLE"

MBG4F3900

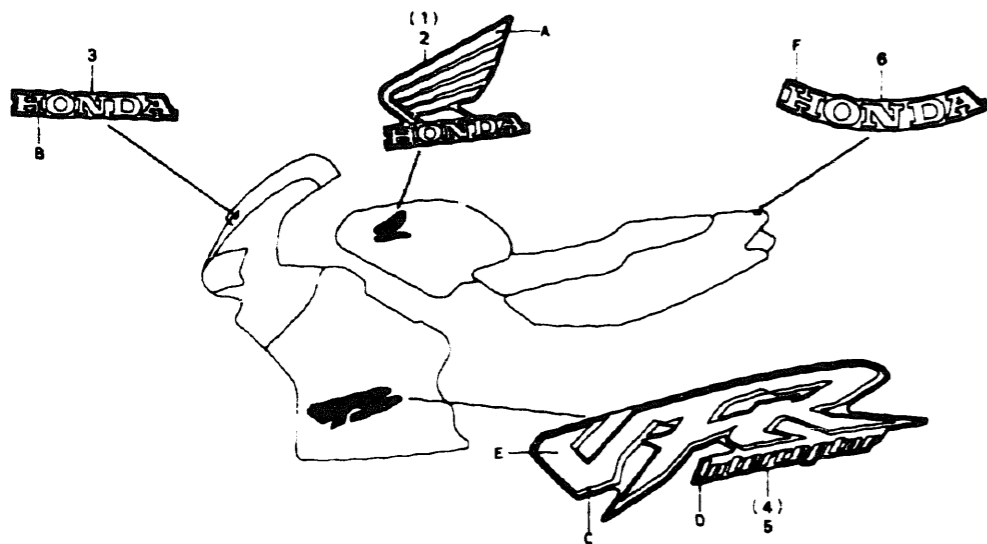
VFR800F1'98		AREA CODE	FRAME SERIAL NUMBER	QTY REQ	PART NUMBER	HONDA CODE
Ref. No.	BLOCK NO. DESCRIPTION					
1	DIAGRAM, VACUUM HOSE ROUTING ....	AC	-----	1	87135-MBG-770	5742457
2	LABEL, HIGH ALTITUDE .....		-----	(1)	87139-463-670	1236934
3	LABEL, TIRE .....		-----	1	87505-MBG-670	5742465
4	LABEL, DRIVE CHAIN .....		-----	1	87507-MZ5-670	4218293
5	LABEL, CHAIN ADJUSTER .....		-----	1	87508-MT4-300	5774831
6	LABEL, LOADING .....		-----	1	87512-KV6-610	4100871
7	LABEL, SWINGARM .....		-----	1	87521-MLO-731	3191889
8	LABEL, DRIVE .....		-----	1	87560-MZ0-670	5026463
9	LABEL, COLOR (R157) (TYPE1) .....		-----	1	87565-MBG-300ZA	5742507

VFR800F1'98		AREA CODE	FRAME SERIAL NUMBER		QTY REQ	PART NUMBER	HONDA CODE
Ref. No.	BLOCK NO. DESCRIPTION		FROM	TO			

# CONTENTS

TITLE	PAGE	GRID
AIR CLEANER	82	E7
AIR SUCTION VALVE	41	C8
ALTERNATOR	17	B8
BATTERY	100	F4
BRAKE CALIPER, FR.	61	D8
BRAKE CALIPER, RR.	69	L12
CAMSHAFT	8	B4
CAUTION LABEL	120	G2
CLUTCH	14	B7
CLUTCH MASTER CYLINDER	53	D4
COMBINATION LIGHT, RR.	98	F3
COWL, LOWER	116	F12
COWL, RR.	80	E6
COWL, UPPER	114	F11
CRANKCASE	23	B11
CRANKCASE COVER, L.	18	B9
CRANKCASE COVER, R.	13	B6
CRANKSHAFT	26	C1
CYLINDER HEAD COVER	2	B1
CYLINDER HEAD FRONT	3	B1
CYLINDER HEAD REAR	5	B2
DELAY VALVE	52	D4
EVAP CANISTER	118	G1
FENDER, FR.	58	D7
FENDER, RR.	95	F1
FORK, FR.	59	D7
FR. BRAKE MASTER CYLINDER	50	D3
FRAME	106	F7
FUEL TANK	74	E3
GASKET KIT A	42	C9
GASKET KIT B	44	C10
GEARSHIFT DRUM	32	C4
HANDLE SWITCH	49	D2
HANDLEBAR	55	D5
HEADLIGHT	46	D1
IGNITION COIL	104	F6
METER	47	D1
MUFFLER	84	E8
OIL COOLER	108	F8
OIL PUMP	21	B10
PEDAL	86	E9
PROPORTIONING VALVE	68	D12
PULSE ALTERNATOR	16	B8
RADIATOR	111	F9
RR. BRAKE MASTER CYLINDER	65	D10
SEAT	78	E5
SHOCK ABSORBER, RR.	94	F1
STAND	90	E11
STARTER MOTOR	20	B10
STEERING STEM	57	D6
STEP	87	E9
SWINGARM	92	E12
THROTTLE BODY ASSY	36	C6
THROTTLE BODY COMP	40	C8
THROTTLE BODY TUBING	38	C7
TOOLS	109	F8
TRANSMISSION	29	C2
TURN SIGNAL	97	F2
WATER PUMP	34	C5
WHEEL, FR.	64	D10
WHEEL, RR.	71	E1
WIRE HARNESS	101	F4

**MARK**



MBG4F4000

VFR800F1'98		AREA CODE	FRAME SERIAL NUMBER	QTY REQ	PART NUMBER	HONDA CODE
Ref. No.	BLOCK NO. F-40 DESCRIPTION					
1	MARK, R. FUEL TANK (TYPE4) .....		-----	1	17531-MBG-670ZA	5739560
2	MARK, L. FUEL TANK (TYPE4) .....		-----	1	17532-MBG-670ZA	5739586
3	MARK, COWL (UPPER) (TYPE1) .....		-----	1	64216-MBG-300ZA	5741988
4	MARK, R. FR. SIDE COWL (TYPE4) ...		-----	1	64440-MBG-670ZA	5742127
5	MARK, L. FR. SIDE COWL (TYPE4) ...		-----	1	64480-MBG-670ZA	5742143
6	MARK, RR. COWL (TYPE1) .....		-----	1	77261-MBG-300ZA	5742325

**MARK**

Color chart for mark

Type	Main body color	Position					
		A	B	C	D	E	F
TYPE 1	Italian red (R157)	Heavy gray metallic-U	Seed silver metallic	Seed silver metallic	Reddish gray metallic-U	Moon silver metallic	Gray metallic

F14MBGW40 C

VFR800F1'98		AREA CODE	FRAME SERIAL NUMBER	QTY REQ	PART NUMBER	HONDA CODE
Ref. No.	BLOCK NO. F-40 DESCRIPTION					

**CONTENTS**

TITLE	PAGE	GRID
AIR CLEANER	82	E7
AIR SUCTION VALVE	41	C8
ALTERNATOR	17	B8
BATTERY	100	F4
BRAKE CALIPER, FR.	61	D8
BRAKE CALIPER, RR.	69	D12
CAMSHAFT	8	B4
CAUTION LABEL	120	G2
CLUTCH	14	B7
CLUTCH MASTER CYLINDER	53	D4
COMBINATION LIGHT, RR.	98	F3
COWL, LOWER	116	F12
COWL, RR.	80	E6
COWL, UPPER	114	F11
CRANKCASE	23	B11
CRANKCASE COVER, L.	18	B9
CRANKCASE COVER, R.	13	B6
CRANKSHAFT	26	C1
CYLINDER HEAD COVER	2	B1
CYLINDER HEAD FRONT	3	B1
CYLINDER HEAD REAR	5	B2
DELAY VALVE	52	D4
EVAP CANISTER	118	G1
FENDER, FR.	58	D7
FENDER, RR.	95	F1
FORK, FR.	59	D7
FR. BRAKE MASTER CYLINDER	50	D3
FRAME	106	F7
FUEL TANK	74	E3
GASKET KIT A	42	C9
GASKET KIT B	44	C10
GEARSHIFT DRUM	32	C4
HANDLE SWITCH	49	D2
HANDLEBAR	55	D5
HEADLIGHT	46	D1
IGNITION COIL	104	F6
METER	47	D1
MUFFLER	84	E8
OIL COOLER	108	F8
OIL PUMP	21	B10
PEDAL	86	E9
PROPORTIONING VALVE	68	D12
PULSE ALTERNATOR	16	B8
RADIATOR	111	F9
RR. BRAKE MASTER CYLINDER	65	D10
SEAT	78	E5
SHOCK ABSORBER, RR.	94	F1
STAND	90	E11
STARTER MOTOR	20	B10
STEERING STEM	57	D6
STEP	87	E9
SWINGARM	92	E12
THROTTLE BODY ASSY	36	C6
THROTTLE BODY COMP	40	C8
THROTTLE BODY TUBING	38	C7
TOOLS	109	F8
TRANSMISSION	29	C2
TURN SIGNAL	97	F2
WATER PUMP	34	C5
WHEEL, FR.	64	D10
WHEEL, RR.	71	E1
WIRE HARNESS	101	F4

GRID

**G3**

## Part Number Index

Part Number	Grid	Page	Part Number	Grid	Page	Part Number	Grid	Page
(0)			12331-MAT-750 . . . .	B1	2	14420-M5G-020 . . . .	B4	8
06111-MBG-000 . . . .	C9	42	12341-MAT-750 . . . .	B1	2	14711-MBG-000 . . . .	B4	8
06112-MBG-610 . . . .	C9	42	12341-MBG-000 . . . .	B1	2	14721-MBG-000 . . . .	B4	8
06112-MBG-000 . . . .	C10	44	12391-MBG-000 . . . .	B1	2	14731-MT4-000 . . . .	B4	8
06164-PCA-000 . . . .	C6	36		C9	42	14751-MW4-003 . . . .	B4	8
06406-MBG-000 . . . .	E12	92	12394-MBG-000 . . . .	B1	2	14761-MW4-003 . . . .	B4	9
06410-MBG-000 . . . .	E1	71		C9	42	14771-KW3-900 . . . .	B4	9
06431-MA3-405 . . . .	D8	61	12395-MBG-000 . . . .	B1	2	14775-MR7-000 . . . .	B4	9
	D12	69		C9	42	14777-MT4-000 . . . .	B4	9
06432-MBG-405 . . . .	D12	69	12396-MBG-000 . . . .	B1	3	14781-ML0-720 . . . .	B4	9
06435-MAT-006 . . . .	D12	69		B2	5	14901-KT7-013 . . . .	B4	9
06451-GE2-405 . . . .	D8	61		C9	42	14902-KT7-013 . . . .	B4	9
06451-MZ2-405 . . . .	D8	61	13011-MW4-305 . . . .	C1	26	14903-KT7-013 . . . .	B4	9
	D12	69	13021-MW4-305 . . . .	C1	26	14904-KT7-013 . . . .	B4	9
06453-MBG-405 . . . .	D8	61	13031-MW4-305 . . . .	C1	26	14905-KT7-013 . . . .	B4	9
06454-MBG-415 . . . .	D8	61	13101-MBG-000 . . . .	C1	26	14906-KT7-013 . . . .	B4	9
06455-MBG-006 . . . .	D8	61	13102-MBG-305 . . . .	C1	26	14907-KT7-013 . . . .	B4	9
			13103-MBG-305 . . . .	C1	26	14908-KT7-013 . . . .	B4	9
			13111-MBG-000 . . . .	C1	26	14909-KT7-013 . . . .	B4	9
(1)			13210-MBG-000 . . . .	C1	26	14910-KT7-013 . . . .	B4	9
11000-MBG-000 . . . .	B11	23	13213-ML7-020 . . . .	C1	26	14911-KT7-013 . . . .	B4	9
11105-MBG-000 . . . .	B11	23	13215-ML7-000 . . . .	C1	26	14912-KT7-013 . . . .	B4	9
11210-MBG-000 . . . .	B10	21	13220-MBG-000 . . . .	C1	26	14913-KT7-013 . . . .	B4	9
11330-MW4-010 . . . .	B6	13	13224-ML7-690 . . . .	C1	26	14914-KT7-013 . . . .	B4	9
11332-MM5-000 . . . .	B6	13	13225-ML7-690 . . . .	C1	26	14915-KT7-013 . . . .	B4	9
11340-MBG-000 . . . .	B9	18	13226-ML7-690 . . . .	C1	26	14916-KT7-013 . . . .	B4	9
11365-MW4-000 . . . .	B9	18	13227-ML7-690 . . . .	C1	27	14917-KT7-013 . . . .	B4	9
11394-MBG-000 . . . .	B6	13	13228-ML7-690 . . . .	C1	27	14918-KT7-013 . . . .	B4	9
	C10	44	13234-ML7-690 . . . .	C1	27	14919-KT7-013 . . . .	B4	9
11630-MW4-000 . . . .	B9	18	13235-ML7-690 . . . .	C1	27	14920-KT7-013 . . . .	B4	9
11632-MW4-000 . . . .	B9	18	13236-ML7-690 . . . .	C1	27	14921-KT7-013 . . . .	B4	9
	C10	44	13237-ML7-690 . . . .	C1	27	14922-KT7-013 . . . .	B4	9
11633-MW4-000 . . . .	B9	18	13238-ML7-690 . . . .	C1	27	14923-KT7-013 . . . .	B4	9
11636-MBG-000 . . . .	B8	17	13310-MBG-000 . . . .	C1	27	14924-KT7-013 . . . .	B4	9
	C10	44	13313-ML7-691 . . . .	C1	27	14925-KT7-013 . . . .	B4	9
11641-MW4-000 . . . .	B8	17	13314-ML7-691 . . . .	C1	27	14926-KT7-013 . . . .	B4	9
12010-MBG-000 . . . .	B1	3	13315-ML7-691 . . . .	C2	28	14927-KT7-013 . . . .	B4	9
12020-MBG-000 . . . .	B2	5	13316-ML7-691 . . . .	C2	28	14928-KT7-013 . . . .	B5	10
12204-MW4-305 . . . .	B1	3	13317-ML7-691 . . . .	C2	28	14929-KT7-013 . . . .	B5	10
	B2	5	13323-MR7-013 . . . .	C2	28	14930-KT7-013 . . . .	B5	10
12208-ML0-721 . . . .	B4	8	13324-MR7-013 . . . .	C2	28	14931-KT7-013 . . . .	B5	10
	C9	42	13325-MR7-013 . . . .	C2	28	14932-KT7-013 . . . .	B5	10
12209-ML0-722 . . . .	B4	8	13326-MR7-013 . . . .	C2	28	14933-KT7-013 . . . .	B5	10
	C9	42	13327-MR7-013 . . . .	C2	28	14934-KT7-013 . . . .	B5	10
12217-MBG-000 . . . .	B1	3	14110-MBG-000 . . . .	B4	8	14935-KT7-013 . . . .	B5	10
	B2	5	14110-MBG-770 . . . .	B4	8	14936-KT7-013 . . . .	B5	10
12251-MW4-000 . . . .	B1	3	14120-MBG-000 . . . .	B4	8	14937-KT7-013 . . . .	B5	10
	C9	42	14120-MBG-770 . . . .	B4	8	14938-KT7-013 . . . .	B5	10
12252-MW4-000 . . . .	B2	5	14130-MBG-000 . . . .	B4	8	14939-KT7-013 . . . .	B5	10
	C9	42	14130-MBG-770 . . . .	B4	8	14940-KT7-013 . . . .	B5	10
12310-MBG-000 . . . .	B1	2	14140-MBG-000 . . . .	B4	8	14941-KT7-013 . . . .	B5	10
12320-MBG-000 . . . .	B1	2	14140-MBG-770 . . . .	B4	8	14942-KT7-013 . . . .	B5	10
			14406-MBG-000 . . . .	C2	28	14943-KT7-013 . . . .	B5	10
			14410-MBG-020 . . . .	B4	8	14944-KT7-013 . . . .	B5	11

## Part Number Index

Part Number	Grid	Page	Part Number	Grid	Page	Part Number	Grid	Page
14945-KT7-013 . . . .	B5	11	16191-MBG-770 . . . .	C7	38	17532-MBG-670ZA . . . .	G3	122
14946-KT7-013 . . . .	B5	11	16192-MBG-770 . . . .	C7	38	17541-MBG-300 . . . .	E4	77
14947-KT7-013 . . . .	B5	11	16193-MBG-770 . . . .	C7	38	17542-MBG-300 . . . .	E3	74
14948-KT7-013 . . . .	B5	11	16194-MBG-770 . . . .	C7	38	17543-MBG-000 . . . .	E3	74
14949-KT7-013 . . . .	B5	11	16198-MBG-000 . . . .	C7	38	17544-MBG-000 . . . .	E3	74
14950-KT7-013 . . . .	B5	11	16199-MBG-000 . . . .	C7	38	17554-MB0-000 . . . .	E7	82
14951-KT7-013 . . . .	B5	11	16211-MBG-000 . . . .	B1	3	17574-MN5-000 . . . .	E3	75
14952-KT7-013 . . . .	B5	11		B2	5	17611-ML7-000 . . . .	E3	75
14953-KT7-013 . . . .	B5	11	16217-MBG-000 . . . .	B1	3	17620-MT4-010 . . . .	E3	75
14954-KT7-013 . . . .	B5	11		B2	5	17724-102-700 . . . .	C8	41
14955-KT7-013 . . . .	B5	11	16218-MV9-670 . . . .	B1	3	17910-MBG-000 . . . .	D2	49
14956-KT7-013 . . . .	B5	11		B2	5	17920-MBG-000 . . . .	D2	49
14957-KT7-013 . . . .	B5	11	16222-MV4-300 . . . .	B1	3	17936-921-000 . . . .	D1	47
14958-KT7-013 . . . .	B5	11		B2	5	17950-MBG-000 . . . .	D2	49
14959-KT7-013 . . . .	B5	11	16400-MBG-000 . . . .	C6	36	17962-MN8-003 . . . .	D2	49
14960-KT7-013 . . . .	B5	11	16400-MBG-770 . . . .	C6	36	18150-MBG-003 . . . .	E8	84
14961-KT7-013 . . . .	B5	11	16472-PH7-003 . . . .	C6	36	18291-MN5-650 . . . .	C9	42
14962-KT7-013 . . . .	B5	11	16473-PD6-000 . . . .	C6	36		E8	84
14963-KT7-013 . . . .	B5	11	16527-MBG-000 . . . .	C6	36	18310-MBG-003 . . . .	E8	84
14964-KT7-013 . . . .	B5	11	16610-MBG-000 . . . .	C6	36	18371-MBG-000 . . . .	E8	84
14965-KT7-013 . . . .	B5	11	16620-MBG-000 . . . .	C6	36	18373-MBG-000 . . . .	E8	84
14966-KT7-013 . . . .	B5	11	16700-MBG-010 . . . .	E3	74	18374-MBG-000 . . . .	E8	84
14967-KT7-013 . . . .	B5	11	16711-MBG-010 . . . .	E3	74	18391-ML0-003 . . . .	C9	42
14968-KT7-013 . . . .	B5	11	16712-MBG-000 . . . .	E3	74		E8	84
14969-KT7-013 . . . .	B5	11	16713-MBG-010 . . . .	E3	74	18391-ML8-000 . . . .	C9	42
15100-MW4-000 . . . .	B10	21	16714-MBG-000 . . . .	E3	74	18391-MN5-650 . . . .	C9	42
15131-ML7-000 . . . .	B7	14	16716-MBG-010 . . . .	E4	77		E8	84
15134-MZ5-000 . . . .	B10	21	16716-MBG-305 . . . .	E4	77	18420-MBG-003 . . . .	E8	84
15140-ML7-003 . . . .	B10	21	16720-MBG-010 . . . .	E4	77	18421-MB0-000 . . . .	E8	84
15150-MBG-000 . . . .	B10	21	16730-MBG-000 . . . .	E4	77	18424-MN5-000 . . . .	E8	84
15154-MM5-000 . . . .	B10	21	16740-MBG-003 . . . .	C6	36	18470-MBG-003 . . . .	E8	84
	C10	44	16900-MBG-003 . . . .	E3	74	18601-MJ1-790 . . . .	B1	2
15155-300-000 . . . .	B10	21	16958-GJ6-000 . . . .	G1	118	18651-MBG-000 . . . .	C8	41
15220-MZ5-000 . . . .	B10	21	17201-MG9-000 . . . .	C7	38	18652-MBG-000 . . . .	C8	41
15410-MM9-013 . . . .	B10	21	17210-MBG-000 . . . .	E7	82	18653-MBG-000 . . . .	C8	41
15410-MM9-405 . . . .	B10	21	17221-MBG-000 . . . .	E7	82	18654-MBG-000 . . . .	C8	41
15515-KT8-000 . . . .	B11	23	17222-MBG-000 . . . .	E7	82	19010-MBG-000 . . . .	F9	111
15516-MBG-000 . . . .	B11	23	17225-MBG-000 . . . .	E7	82	19014-KEA-003 . . . .	F9	111
15600-MBG-000 . . . .	F8	108	17227-MBG-000 . . . .	E7	82	19015-MBG-000 . . . .	F9	111
15601-MBG-000 . . . .	F8	108	17231-MBG-000 . . . .	E7	82	19020-MG8-003 . . . .	F9	111
15611-MB0-000 . . . .	B6	13	17237-MBG-000 . . . .	E7	82	19030-MBG-000 . . . .	F9	111
15650-MBG-000 . . . .	F8	108	17238-MW4-003 . . . .	E7	82	19032-MBG-000 . . . .	F9	111
15660-MBG-000 . . . .	F8	108	17359-419-670 . . . .	E3	74	19033-MBG-000 . . . .	F9	111
16017-MBG-000 . . . .	C8	40	17400-MBG-770 . . . .	G1	118	19034-MBG-000 . . . .	F9	111
16018-MBG-000 . . . .	C8	40	17411-MBG-770 . . . .	G1	118	19035-MBG-000 . . . .	F9	111
16026-MR1-004 . . . .	C8	40	17412-MBG-770 . . . .	G1	118	19036-MBG-000 . . . .	F7	106
16029-MBG-000 . . . .	C8	40	17413-MBG-770 . . . .	G1	118	19038-MAL-601 . . . .	F9	111
16037-MBG-000 . . . .	C8	40	17506-MB1-000 . . . .	E3	74	19045-GBF-700 . . . .	F9	111
16046-MBG-000 . . . .	C8	40	17516-MBG-000 . . . .	E3	74	19051-KA3-830 . . . .	F8	108
16047-MBG-000 . . . .	C8	40	17520-MBG-670ZA . . . .	E3	74		F9	111
16080-MBG-000 . . . .	C6	36	17524-MBG-000 . . . .	E3	74		F11	114
16106-KW7-900 . . . .	C5	34	17525-MBG-000 . . . .	E3	74	19051-MB4-880 . . . .	G1	118
16119-ML5-004 . . . .	C6	36	17528-MBG-003 . . . .	E3	74	19052-MB4-880 . . . .	G1	118
16180-ME5-761 . . . .	C7	38	17531-MBG-670ZA . . . .	G3	122	19052-MN8-000 . . . .	F8	108

## Part Number Index

Part Number	Grid	Page	Part Number	Grid	Page	Part Number	Grid	Page
19052-MN8-000	F9	111	22850-MBG-000	B7	15	(3)		
19055-MV9-881	F9	111	22860-MT7-000	B9	18	30291-MBG-770	B8	16
19060-MBG-000	F9	111	22862-MW7-650	B9	18	30300-MBG-003	B8	16
19101-MBG-000	F10	112		C10	44	30405-MBG-000	F1	95
19103-ML7-000	E3	75	22863-MJ8-003	B9	18	30500-MBG-003	F6	104
19104-MBG-700	F10	112	22864-MT7-006	B9	18	30507-439-930	F6	104
19132-MBG-000	F10	112	22865-MJ8-003	B9	18	30520-ML7-000	F6	105
19135-MBG-000	F10	112	22866-MF2-711	B9	18	30700-MBG-000	F6	104
19200-MBG-000	B9	18	22884-MB0-006	D4	53	30701-883-000	D1	47
19220-MBG-000	B9	18	22885-MB0-006	D4	53	30731-MBG-003	F6	104
19226-ML7-000	B9	18	22886-MB0-305	D4	53	30732-MBG-003	F6	104
	C10	44	22890-MAT-006	D4	53	30732-MBG-013	F6	104
19300-MBG-003	C5	34	22900-MBG-000	D4	53	30733-MBG-003	F6	104
19310-MBG-000	C5	34	23110-MW4-000	B8	16	30734-MBG-003	F6	104
19315-MBG-000	C5	34	23211-MBG-000	C2	29	30734-MBG-013	F6	104
19501-MBG-000	F10	112	23212-ML7-000	C2	29	31110-MBG-003	B8	17
19502-MBG-000	F10	112	23220-MBG-000	C2	29	31120-MBG-003	B8	17
19503-MBG-000	F10	112	23421-MBG-000	C2	29	31131-MR7-000	B8	17
19504-MBG-000	F10	112	23431-ML7-920	C2	29	31200-MBG-003	B10	20
19505-KS6-700	C5	34	23441-ML7-000	C2	29	31201-KS5-901	B10	20
19505-MBG-000	F10	112	23442-ML7-000	C2	29	31204-KS5-901	B10	20
19506-MBG-000	F10	112	23451-MBG-000	C2	29	31205-MN0-008	B10	20
19507-MBG-000	F10	112	23461-MBG-000	C2	29	31206-MN4-008	B10	20
19508-MBG-000	F10	112	23481-MBG-000	C2	29	31207-KS5-901	B10	20
19516-GAG-003	F10	112	23482-MJ1-760	C2	29	31500-HA0-686	F4	100
19516-ML7-691	C5	34	23482-MR7-000	C2	29	31500-HF1-677	F4	100
19517-ML7-691	C5	34	23491-MZ7-000	C2	29	31500-KM1-837	F4	100
19522-MW4-000	C5	34	23495-MB0-000	C2	29	31600-MBG-003	F4	101
19523-MT3-000	C5	34	23501-MBG-000	C2	29	31730-MAS-601	F4	101
19524-MBG-000	C5	34	23511-MBG-000	C3	30	32100-MBG-670	F4	101
19525-MBG-000	C5	34	23512-MR7-000	C3	30	32100-MBG-770	F4	101
19526-MBG-000	C5	34	23521-MBG-000	C3	30	32103-MBG-000	F4	101
19527-MBG-000	C5	34	23801-MAT-000	C3	30	32109-MBG-000	B11	23
19528-MBG-000	C5	34	24211-MBG-000	C4	32	32401-MBG-000	F4	100
19529-MBG-000	C5	34	24212-MBG-000	C4	32	32406-MT4-000	F4	100
			24213-MBG-000	C4	32	32410-MBG-000	F4	100
			24261-MW4-000	C4	32	32411-230-000	F4	100
(2)			24310-MBG-000	C4	32	32411-253-000	F4	100
22100-MBG-000	B7	14	24315-KEB-000	C4	32	32414-MW0-000	F4	100
22116-MB0-000	B7	14	24315-MW0-791	C4	32	32601-MBG-000	F4	100
22117-ML7-690	B7	14	24430-GB2-710	C4	32	32925-958-000	B6	13
22120-ML7-010	B7	14	24435-MW4-000	C4	32		E3	75
22125-ML7-000	B7	14	24610-MBG-000	C4	32		E7	82
22201-KG0-980	B7	14	24651-MBB-000	C4	32		F1	95
22201-KM4-000	B7	14	24652-035-000	C4	32		F6	104
22201-MS6-620	B7	14	24701-MAT-000	E9	86	33102-MBG-651	D1	46
22202-ML4-611	B7	14	24781-KR3-770	E9	86	33108-196-003	E9	87
22321-ML7-000	B7	14	28101-MBG-000	B8	16	33112-MMS-601	D1	46
22321-MR7-000	B7	14	28102-ML7-000	B8	16	33410-MBG-000	F2	97
22350-ML7-000	B7	14	28110-MBG-000	B8	16	33460-MBG-000	F2	97
22366-MS2-611	B7	14	28115-MBG-000	B8	16	33710-MBG-671	F3	98
22401-MBG-000	B7	14	28125-MW4-003	B8	16	33720-GZ9-003	F2	97
22402-ML7-000	B7	14	28131-MBG-000	B8	16		F3	98
			28333-300-000	E9	87			

## Part Number Index

Part Number	Grid	Page	Part Number	Grid	Page	Part Number	Grid	Page
33720-MAT-671	F3	98	37109-MBG-000	D1	47	43107-MBG-006	D12	69
33721-MAT-671	F3	98	37200-MBG-601	D1	47	43111-MBG-000	D12	69
33722-MZ0-710	F3	98	37204-MBG-003	D1	47	43112-MBG-006	D12	69
33727-ME4-671	F3	98	37205-MBG-003	D1	47	43150-MBG-006	D12	69
33729-MB1-003	F3	98	37206-MBG-003	D2	48	43156-MBG-000	D10	65
33741-MB2-671	D7	58	37211-GJ6-003	D2	48	43251-MBG-000	E2	72
33741-MS6-921	F1	95	37215-KAF-008	D2	48	43252-MBG-000	E2	72
33742-MBG-670	D7	58	37230-MBG-671	D2	48	43310-MBG-003	D10	65
33743-MBG-670	D7	58	37237-SA5-003	D1	47	43311-MBG-003	D10	65
34616-568-671	F3	98	37237-SA5-004	D1	47	43312-MBG-000	D10	65
34901-MS2-671	D1	46	37250-MBG-671	D2	48	43313-MBG-000	D10	65
34902-500-003	F3	98	37700-MBG-000	D2	48	43321-MBG-003	D12	68
34906-MBB-611	F2	97	37760-MT2-003	F10	112	43350-MW4-000	E12	92
	F3	98	37830-P13-003	F4	101	43352-MG9-006	D10	65
34908-GA7-701	D1	47	37870-MBG-003	B1	3	43352-568-003	D8	61
34908-MG9-951	D1	47	37880-MBG-013	D2	48		D12	69
34908-272-000	F3	98	37880-P05-A00	E7	83	43353-MG9-006	D10	65
34909-KW3-003	D1	47	38110-KY4-008	D6	57	43353-443-761	D10	65
34909-505-003	F3	98	38301-KK9-952	F4	101	43353-461-771	B9	18
34909-505-610	F3	98	38306-ME9-772	F4	101		D8	61
35010-MBG-670	D5	55	38501-GN2-014	F4	101		D10	65
35013-MBG-650	D2	49	38506-GC7-611	F4	101		D12	69
35020-MBG-670	D2	49	38770-MBG-671	F4	101	43430-MBG-000	D12	69
35100-MBG-671	D5	55	38770-MBG-771	F5	102	43433-MW4-000	D12	69
35101-MBG-003	D5	55				43503-MB2-006	D10	65
35121-KW3-771	D5	55	(4)			43504-MB2-006	D8	61
35122-KW3-771	D5	55					D10	65
35160-MBG-003	F4	101	40510-MBG-000	E12	92	43510-MBG-006	D10	65
35162-MN5-003	F4	101	40515-MBG-000	E12	92	43511-MA6-006	D10	65
35163-MN5-003	F4	101	40535-MZ1-306	E12	92	43512-MBG-006	D10	65
35330-MB0-003	D4	53	40535-MZ1-307	E12	92	43513-MY1-006	D10	65
35340-MM5-600	D3	50	40540-MZ1-306	E12	92	43514-445-771	D10	65
35350-MBG-003	E9	86	40540-MZ1-307	E12	92	43520-MBG-006	D11	66
35357-ME9-000	E9	86	41201-MBG-000	E1	71	43530-MBG-006	D11	66
35500-MJ4-024	B11	23	42300-MBG-000	E1	71	44301-MBG-000	D10	64
35600-KEB-003	B11	23	42301-MW0-010	E12	92	44311-MAE-000	D10	64
35700-MBG-305	E11	90	42303-MT4-000	E1	71	44311-MS2-000	D10	64
35850-MT4-000	F4	100	42500-MBG-000	E1	71	44620-MBG-000	D10	64
35856-MBG-003	F4	100	42605-MBG-000	E1	71	44650-MBG-000	D10	64
36037-657-000	E9	87	42621-MT4-000	E1	71	44711-MBB-004	D10	64
36132-PH4-671	E7	82	42622-MT4-000	E1	71	44808-MR7-013	D2	48
36138-PR7-A01	E7	82	42623-MBG-000	E1	71	45107-MAJ-G41	D8	61
36140-MBG-003	B2	5	42630-MBG-000	E1	71	45108-MZ2-016	D8	61
36162-P2M-A01	G1	118	42650-MBG-000	E1	71		D12	69
36163-PV0-004	E7	82	42704-MB0-000	D10	64	45111-MAJ-G41	D8	61
36165-MBG-770	G1	118					D12	69
36450-MBG-003	C8	41	42705-MB0-000	D10	64	45112-MZ2-006	D8	61
36627-MN5-000	E7	82				45120-MBG-003	D10	64
36627-MN5-C03	E7	82	42706-MB0-000	D10	64	45124-MBG-003	D3	50
37010-MBG-000	E3	75				45125-MBG-003	D3	50
37100-MBG-671	D1	47	42711-MBS-004	E1	71	45126-MBG-003	D4	52
37102-MBG-671	D1	47	42753-ML7-004	D10	64	45127-MBG-003	D4	52
37102-567-009	D1	47				45128-MBG-003	D4	52
37103-MBG-003	D1	47				45129-MBG-003	D4	52

### Part Number Index

Part Number	Grid	Page	Part Number	Grid	Page	Part Number	Grid	Page
45130-MBG-000	D3	50	46300-MBG-006	D4	52	51405-MB4-003	D7	59
45131-MAC-681	D12	69	46500-MBG-000	E9	86	51410-MBG-003	D7	59
45131-MBG-000	D4	52	46503-MAL-000	D11	66	51412-MB4-003	D7	59
45131-ML7-221	D8	61	46504-MAL-601	D11	66	51414-KCR-003	D7	59
45131-MZ2-016	D12	69	46513-KV3-950	E9	86	51415-KCR-003	D7	59
45131-166-016	D8	61	46515-MN1-670	E9	86	51415-MS2-003	D7	59
45132-MBG-000	D12	68				51420-MBG-003	D7	59
45132-166-016	D8	61				51422-KV3-831	D7	59
	E1	70				51430-MBG-003	D7	59
45133-MA3-006	D9	62	(5)			51432-MS2-003	D7	59
	E1	70	50100-MBG-670	F7	106	51447-KA4-711	D8	60
45133-MBG-000	D12	68	50100-MBG-770	F7	106	51454-KV3-831	D8	60
45134-KB7-005	D7	59	50150-MBG-000	E11	90	51460-MT3-611	D8	60
45150-MBG-006	D9	62	50233-MZ7-000	F1	94	51486-KV3-000	E10	88
45156-MAT-000	D4	52	50240-MBG-000	F7	106	51490-MN8-305	D8	60
45157-MBG-000	D6	57	50271-MBG-000	F7	106	51500-MBG-003	D8	60
45158-MBG-000	D3	50	50290-MZ7-000	F1	95	51520-MBG-003	D8	60
45203-MG3-016	D9	62	50310-MZ7-000	E3	75	52115-MAT-000	D4	52
	E1	70	50355-MBG-000	F7	106	52115-ML8-670	D4	52
45207-MAJ-G41	D9	62	50356-MBG-000	F7	106	52141-MBG-000	E12	92
	E1	70	50357-MBG-000	F7	106	52142-MBG-000	E12	92
45215-MAJ-G41	D9	62	50383-GB6-300	F1	95	52143-MBG-000	E12	92
	E1	70	50475-MBG-000	F1	94	52170-MBG-000	E12	92
45217-MAJ-G41	D9	62	50500-MBG-000	E11	90	52200-MBG-000	E12	92
45218-MAJ-G41	D9	62	50503-MBG-000	E11	90	52400-MBG-003	F1	94
45220-MBG-003	D10	64	50504-MBG-000	E11	90	52461-MBG-000	F1	94
45224-KV3-951	F7	106	50505-GR1-000	E8	84	52463-MAL-G00	E12	92
45250-MAT-016	D9	62	50520-MZ7-000	E11	90			
45442-MAT-000	D9	62	50523-MZ7-610	E11	90	52475-MBG-000	F1	94
45452-MZ2-000	D7	59	50524-MZ7-000	E11	90	52482-GBF-831	D8	60
45504-410-003	D3	50	50527-MBG-000	E11	90	53100-MBG-000	D5	55
	D4	53	50530-MBG-000	E11	90	53105-KV3-000	D5	55
45510-MAJ-G41	D3	50	50538-ML7-000	E11	90	53105-MN4-000	D5	55
45512-MA6-006	D3	50	50540-MBB-000	E11	90	53106-KT7-000	D5	55
	D4	53	50600-MBG-010ZA	E9	87	53107-MB6-630	D5	55
45513-MM5-006	D3	50	50606-MBG-000	E9	87	53108-MAT-000	D5	55
	D4	53	50607-MBG-000	E9	87	53125-174-670	F7	106
45514-KV3-006	F10	112	50612-MM5-000	E9	87	53140-MAT-000	D2	49
45517-166-006	D3	50	50617-445-840	E9	87	53150-MBG-000	D5	55
	D4	53	50619-MM5-000	E9	87	53165-MY9-890	D2	49
45518-MB0-006	D4	53	50639-ML0-010	E9	87	53166-MY9-890	D2	49
45518-MM5-006	D3	50	50642-MM5-000	E9	87	53170-MAT-006	D3	51
	D4	53	50644-445-840	E9	87	53180-MZ1-791	D4	53
45520-MM5-006	D3	50	50661-MV9-000	E9	87	53214-KA4-701	D6	57
	D4	53	50700-MBG-000ZA	E9	87	53214-371-010	D6	57
45520-300-000	D11	66	50718-KT7-761	E10	88	53219-MBG-000	D6	57
45521-MJ6-006	D11	66	50720-KT7-760	E10	88	53220-MW0-000	D6	57
45525-MAJ-G41	D3	50	50730-KT7-760	E10	88	53232-MJ4-670	D5	55
45530-MAJ-G41	D3	50	50750-MBG-000ZA	E10	88	53300-MBG-000	D5	55
45620-MBG-006	D9	62	50760-MBG-000ZA	E10	88			
45630-MBG-016	D9	62	51400-MBG-003	D7	59	(6)		
46182-500-013	D9	62	51401-MBG-003	D7	59	61100-MBG-000ZB	D7	58
	D11	66	51402-MS2-003	D7	59			
46200-MBG-006	D12	68	51403-KF0-003	D7	59			

### Part Number Index

Part Number	Grid	Page	Part Number	Grid	Page	Part Number	Grid	Page
61103-357-000	E3	75	77251-342-000	F1	95	90004-GHB-690	B8	17
	F3	98	77261-MBG-300ZA	G3	122	90004-PRO-000	B1	3
61104-357-000	F7	106	77330-MBG-000ZB	E6	80		B2	5
61104-422-000	E3	75	77340-MBG-000ZB	E6	80	90005-GHB-690	B6	13
61104-428-000	F7	106				90008-ML7-920	B1	3
64201-MBG-650	F11	114					B2	5
64210-MBG-000ZA	F11	114	(8)			90008-MZ7-000	E5	78
64216-MBG-300ZA	G3	122				90013-883-000	B9	19
64270-MBG-000ZA	F12	116	80100-MBG-670	F1	95	90014-MBG-003	B11	23
64271-MBG-300	F12	116	80101-310-000	F1	95	90016-MBG-003	B11	23
64272-MBG-300	F12	116	80106-MBG-300	F1	95	90017-MBG-000	B11	23
64310-MBG-670ZA	F12	116	80110-MBG-000	F1	95	90017-MW4-000	B11	23
64316-MBG-300	F12	116	80114-KE2-940	F3	98	90018-425-000	B1	3
64317-MBG-300	F12	116	80115-MBG-000	E3	75		B2	5
64318-MBG-300	F12	116	80116-MBG-000	E10	88	90019-MA6-000	B1	3
64320-MBG-670ZA	F12	116	81214-MW0-300	E3	75		B2	5
64330-MBG-000ZB	F11	114	81312-GJ5-000	E12	92	90019-MB0-000	B10	21
64340-MBG-000	F11	114	84701-ML7-670	F3	99	90020-ZC3-000	B1	2
64350-MBG-000	F11	114	86150-MN8-300	D5	55	90021-MM5-000	B10	21
64365-MAT-000ZA	F11	114	87135-MBG-770	G2	120	90022-MG8-000	C4	32
64440-MBG-670ZA	G3	122	87139-463-670	G2	120	90022-MM5-000	B7	15
64480-MBG-670ZA	G3	122	87505-MBG-670	G2	120	90023-MV9-670	B8	16
64500-MBG-000	F11	114	87507-MZ5-670	G2	120		B8	17
64511-MBG-000	F12	116	87508-MT4-300	G2	120	90035-MW4-000	B1	3
64512-MBG-000	F12	116	87512-KV6-610	G2	120		B2	5
64512-MBG-770	F12	116	87516-KV6-610	F1	94	90037-422-003	C3	30
64513-MBG-000	F12	116	87521-ML0-731	G2	120	90051-KS7-830	E9	86
64514-MBG-000	F6	104	87560-MZ0-670	G2	120	90071-MB0-000	B10	20
64515-MBG-000	F6	104	87565-MBG-300ZA	G2	120	90073-MT4-000	E3	75
64516-MBG-000	F2	97	88110-MV9-003ZA	F11	114	90074-MT4-000	E3	75
64517-MBG-000	F2	97	88120-MV9-003ZA	F11	114	90085-MW4-000	B8	17
64591-MBG-000ZB	F11	114	89010-MBG-000	F8	109	90085-MZ1-000	E10	88
64596-MBG-000ZB	F11	114	89101-ME5-670	F8	109	90100-MN8-910	D5	55
			89101-300-010	F8	109	90101-MBB-000	F1	94
(7)			89103-371-000	F8	109	90101-MBG-000	F1	94
77110-ML7-922	E5	78	89201-MR8-000	F8	109	90102-MBG-000	F1	94
77156-MBG-000	E5	78	89202-KV0-000	F8	109	90102-MW4-000	E2	72
77160-MZ7-000	E5	78	89211-KJ2-000	F8	109	90103-KK4-000	D6	56
77200-MBG-000	E5	78	89211-MT4-000	F8	109	90103-MBG-000	E6	80
77204-312-000	E5	78	89216-MBG-000	F8	109		F11	115
77206-GF0-000	E5	78	89221-422-000	F8	109		F12	116
77208-KW7-900	F7	106	89221-429-000	F8	109	90103-MJ1-000	F8	108
77210-MBG-000ZA	E6	80	89227-461-000	F8	109	90103-MM5-000	F7	106
77215-MBG-000	F3	98	89228-MR8-000	F8	109	90104-MBG-000	F3	99
77217-MBG-000	F3	99	89256-MT4-000	F8	109	90105-KY2-710	E11	90
77220-KY6-000	E5	78				90105-MBG-000	E3	75
77220-MBG-000	E6	80	(9)			90105-MY9-000	E12	93
77225-MBG-000ZB	E6	80				90106-KBG-000	E11	90
77226-MBG-300	E6	80	90001-KN7-670	E10	88	90106-KCZ-000	D7	58
77226-MZ7-300	E6	80	90002-MY5-850	B1	2	90106-KY2-701	E12	93
77227-MBG-300	E6	80	90004-GHB-610	B9	18	90106-MAT-000	E11	90
77228-MBG-300	E6	81	90004-GHB-660	B9	19	90106-MBB-000	D10	64
			90004-GHB-680	B9	19	90107-MT3-003	D9	62
						90108-MBG-000	E3	75

### Part Number Index

Part Number	Grid	Page	Part Number	Grid	Page	Part Number	Grid	Page
90106-MK6-670	E11	90	90203-MF9-710	E11	91	90502-VA4-647	F3	99
90109-MR7-000	D8	60	90231-MZ7-000	B7	15	90503-MG7-000	G1	118
90109-MT3-000	F11	115	90301-KBH-000	F1	95	90505-MA6-000	E10	88
90109-SB6-000	E6	80	90301-088-660	F6	105	90506-425-330	D6	57
	F11	115	90301-473-003	E4	76	90509-MR7-000	B8	16
90110-KV3-700	F1	94	90301-693-000	F7	106	90525-427-900	E4	76
90110-MZ7-000	F7	106	90302-MB1-000	F1	95	90540-SA7-000	F11	115
90111-KW3-003	E6	80	90302-MB2-000	F3	99	90543-MV9-670	B1	2
	F11	115	90302-425-830	D6	57		C9	43
	F12	116	90304-GE8-003	F1	94	90544-283-000	D8	60
90111-MR5-000	F4	100	90304-HB3-771	E8	84	90545-300-000	B11	23
90112-MT4-000	E6	80	90304-MJ4-670	D6	56		C10	44
	F12	116	90305-MBB-000	E10	88		D3	51
90113-SAO-025	E2	72	90305-MB4-003	E12	93		D4	52
90114-KAS-900	F6	104	90305-ML7-000	D10	64		D5	54
90114-MAS-671	D3	51	90306-MZ7-000	E2	72		D11	66
	D4	53	90307-MT4-010	E2	72	90551-SE0-000	E11	91
90115-KV3-700	D11	66	90309-KF0-003	E2	72	90557-230-000	E9	86
90115-MV9-000	E10	88	90309-428-731	E2	72	90559-HAB-000	E12	93
90116-KY1-000	D6	56	90315-MK3-003	F10	113	90590-KK7-000	E11	91
90116-MBG-000	E6	80	90320-GC3-000	F3	99	90601-107-000	C3	30
90116-ME9-000	F10	113	90367-SL0-000	F7	107	90602-MM5-000	C3	31
90116-383-721	D8	60	90401-KM1-000	F3	99	90602-MR7-000	C3	31
90120-KCR-003	F10	113	90405-KT7-000	B8	16	90603-MN4-000	C3	31
90121-MV9-670	B9	19		B8	17	90620-SB2-003	F5	102
90122-MBG-000	E1	70	90417-360-000	C4	32	90628-750-000	F5	102
90125-GS9-000	E8	84	90428-PD6-003	C6	36	90650-KV6-003	C8	41
90131-GAA-000	E1	70		E4	76		E9	86
90132-MZ2-000	D9	62	90432-MB0-010	B7	15		F5	102
90133-MAT-000	D9	62	90441-ME9-000	B5	11	90651-KV0-700	F10	113
90133-MBG-000	E2	72	90445-MN4-000	B1	3	90651-KV6-003	D2	49
90133-SL9-003	D2	48		B2	5	90651-MAT-000	D12	68
90135-MAJ-G41	D9	63	90451-KY2-000	C3	30	90651-MA5-671	D3	51
	E1	70	90451-155-000	C4	32	90651-MBG-006	D11	66
90135-MS2-000	E4	76	90452-MR7-000	C3	30	90651-ML0-731	E2	72
90145-MBG-003	D11	66	90454-MC7-000	B2	4	90651-377-003	D5	54
90145-MR8-014	D11	66		C9	42	90652-HC4-003	F5	102
90145-MS9-612	D3	51	90455-ML7-000	C3	30	90652-KT1-771	F5	102
	D4	52	90456-MA6-000	C3	30	90652-ML0-731	E2	72
	D5	54	90459-438-000	C3	30	90658-ZA0-930	F6	105
	D11	66	90461-MC7-000	C3	30	90672-SA0-003	F5	102
90147-MK6-671	E11	91	90462-MR7-000	C3	30	90677-GR1-003	D1	46
90150-MBG-000	F3	99	90463-MC7-000	C9	42		F11	115
90151-HC5-000	F7	107	90463-ML7-000	B2	4	90683-GAZ-003	F1	95
90154-HAB-000	F1	94		B3	6		F11	115
90155-MBG-000	E12	93		B9	19		F12	117
90161-ML7-000	E8	84		B11	23	90684-MBG-003	E12	93
90167-SAC-980	F1	95		C10	44	90690-GHB-601	F5	102
90191-KBG-000	D6	56	90463-MR7-000	C3	30	90701-MV9-670	B11	23
90201-PD1-000	C6	36	90464-MR7-000	C3	30	90899-422-610	F1	95
	E4	76	90465-MC4-000	E2	72	91008-362-000	B7	15
90201-415-100	D3	51	90465-MR7-000	C3	30	91008-374-003	C4	32
	D5	54	90501-MBG-003	E2	72	91010-HC0-003	B7	15
90202-MR1-000	F1	94	90502-MMB-610	F7	107	91015-KT8-005	D6	57

### Part Number Index

Part Number	Grid	Page	Part Number	Grid	Page	Part Number	Grid	Page
91016-KT8-005	D6	57	91307-425-003	C10	44	93892-05045-07	D2	49
91021-MN4-003	C3	31	91307-611-000	F10	113	93893-04012-07	D3	51
91022-MN4-003	B8	16	91309-MA6-000	B10	20		D5	54
91023-MN4-003	C3	31		C10	45		D11	66
91024-MB0-003	B7	15	91309-ML7-003	C9	43		F5	102
91026-MB4-003	C3	31		F8	108	93893-04012-17	D3	51
91052-MAE-004	D10	64	91309-PX4-003	B3	6		D5	54
91059-KY2-711	D6	56		C9	43		D11	67
91061-ML0-731	E2	72	91311-KE8-000	C5	35	93893-05016-07	E7	83
91061-MT4-003	E2	72		C10	45	93894-05022-07	D1	46
91062-MR7-003	E2	72	91311-MR7-003	D8	60	93903-24280	F2	97
91071-KV3-005	E12	93	91311-PH7-003	D8	60	93903-24420	D2	48
	F1	94	91313-MB0-003	B10	21	93903-25210	F3	99
91071-MR7-003	E12	93		C10	45	93903-25480	E7	83
91072-MR7-003	E12	93	91313-MG7-004	B10	21	93911-25520	E7	83
91101-KG8-003	D8	60		C10	45	93913-25520	C8	41
91101-121-691	B9	19	91317-P4V-004	B2	4	94002-08000-0S	D11	67
91104-KT7-000	B5	11		B3	6	94050-04000	F5	102
91202-MR7-003	E12	93		C9	43	94050-05070	D7	58
91203-KK3-830	B9	19	91320-MB0-000	B10	20		F2	96
91204-MB0-013	B11	23	91331-PC9-003	C5	35	94050-06000	E10	88
91207-MR7-003	C3	31		C10	45		F3	99
91209-MB0-003	B9	19	91352-MMB-003	E2	73		G1	118
91212-422-006	D11	66	91355-MG9-006	D11	66	94050-06080	D2	48
91252-MC4-003	D10	64	91356-KF0-003	D8	60		E4	76
91254-MMB-003	D8	60	91356-MA6-005	B10	21	94050-08000	E8	85
91255-MJ1-000	C9	43		C10	44	94050-10000	F7	107
	F8	108	91405-PD1-004	E4	76	94101-06000	E10	89
91257-KY4-900	E12	93	91413-679-000	F5	102	94101-06080	E10	89
91258-ML7-003	E2	73	91508-MM5-000	E7	83	94101-06800	E10	89
91258-ML7-004	E2	73	91549-MW0-790ZA	F2	96	94101-08700	E6	80
91261-KZ3-861	E12	93	92101-06065-4J	F6	105	94102-08000	E10	89
91262-KV3-831	E12	93	92501-08030-0A	E10	88	94103-06000	F3	99
	F1	94	92800-12000	B11	22	94103-06700	G1	118
91284-MR7-003	E2	73	93401-06020-08	F10	113	94103-08000	E8	85
91301-ML7-003	B6	13	93401-06040-08	B5	11	94103-10700	E11	91
	C10	44	93401-06050-08	B5	11	94109-12000	B11	22
91301-PM5-A01	C6	36	93500-04025-0A	F5	102		C10	45
91301-PM7-003	C6	36	93500-05025-0H	B2	4	94111-04800	F5	102
91301-250-000	B6	13		B3	6	94201-16120	E10	89
	C10	44	93500-05028-0G	B2	4	94201-20120	D11	67
91302-MB0-013	B9	19		B3	6	94201-20150	E1	70
	C10	44	93600-04012-0G	D3	51		E10	89
91303-KF0-003	B10	21		D5	54	94301-08140	B2	4
	C10	44	93600-04012-1G	D3	51		B3	6
91304-GC8-003	C5	34		D5	54		B6	13
	C10	44	93891-05010-07	F2	97		B8	17
91305-MC7-000	E4	76		F11	115		B9	19
91305-443-740	E4	76	93892-04008-10	C6	36		B11	22
91307-PH7-660	F10	113	93892-05008-10	C6	37	94301-10160	B2	4
91307-PY4-003	B2	4	93892-05010-10	F5	102		B3	6
	B3	6	93892-05020-07	D2	49	94301-12200	B2	4
	C9	43	93892-05025-07	D2	49		B3	6
91307-425-003	B6	13	93892-05035-07	D2	49	94302-08100	C3	31





## Description Index

Description	Grid	Page	Ref. No.	Description	Grid	Page	Ref. No.
(A)							
ADJUSTER, SPRING	D7	59	14	BEARING E, FR. CONNECTING ROD	C1	27	8
ALTERNATOR ASSY., PULSE	B8	16	9	BEARING E, RR. CONNECTING ROD	C1	27	9
ARM, L. STEP	E9	87	11	BEARING, BALL	C4	32	16
ARM, R. STEP	E9	87	7	BEARING, HEAD PIPE	D6	57	10
AXLE COMP., RR.	E1	71	3		D6	57	9
AXLE, FR. WHEEL	D10	64	3	BEARING, NEEDLE	B7	15	19
AXLE, RR. WHEEL	E12	92	6		B8	16	13
					B9	19	22
					C3	31	34
					C3	31	36
					C3	31	35
					D8	60	27
					E12	93	21
					E12	93	22
					F1	94	15
(B)							
BAG, SERVICE BOOK	F1	95	7	BEARING, RADIAL BALL	B7	15	18
BAG, TOOL	F8	109	2		C3	31	40
BALL, STEEL	E10	89	36		D10	64	13
BAND B, INSULATOR	B1	3	8		E2	72	27
	B2	5	8		E2	72	28
BAND, INSULATOR	B1	3	7		E12	93	23
	B2	5	7	BEARING, RR. AXLE NEEDLE	E2	72	29
BAND, L. EX. PIPE	E8	84	6	BODY ASSY., THROTTLE	C6	36	4
BAND, MUFFLER	E8	84	4	BOLT	C6	36	2
BAND, R. EX. PIPE	E8	84	5	BOLT A, PIN	D8	61	14
BAND, U-LOCK	F1	95	5	BOLT B, OIL	D11	66	23
BAND, WIRE	C8	41	7	BOLT-WASHER	B5	11	22
	D2	49	10		B5	11	21
	E9	86	10		B7	15	15
	F5	102	18		B10	21	11
	F5	102	16		F10	113	32
BAND, WIRE HARNESS	F5	102	14		F10	113	36
BAR, L. PILLION STEP	E10	88	17	BOLT, BANJO	E3	75	31
BAR, R. PILLION STEP	E10	88	16	BOLT, BRAKE DISK	D10	64	11
BAR, SIDE STAND	E11	90	10	BOLT, BREAK OFF	E5	78	8
BASE COMP. CONTACT	D5	55	3	BOLT, CAP	E10	88	27
BASE COMP. LICENSE	F3	98	4	BOLT, CONNECTING ROD	C1	26	5
BATTERY	F4	100	1	BOLT, COWL SETTING	E6	80	12
BEARING A, CRANKSHAFT CENTER	C2	28	12		F12	116	15
BEARING A, CRANKSHAFT SIDE	C1	27	11	BOLT, DRAIN PLUG	B11	22	14
BEARING A, FR. CONNECTING ROD	C1	26	8	BOLT, FLANGE	B1	2	11
BEARING A, RR. CONNECTING ROD	C1	27	9		B1	3	14
BEARING B, CRANKSHAFT CENTER	C2	28	12		B1	3	13
BEARING B, CRANKSHAFT SIDE	C1	27	11		B1	3	12
BEARING B, FR. CONNECTING ROD	C1	26	8		B1	3	11
BEARING B, RR. CONNECTING ROD	C1	27	9		B2	5	14
BEARING C, CRANKSHAFT CENTER	C2	28	12		B2	5	13
BEARING C, CRANKSHAFT SIDE	C2	28	11		B2	5	12
BEARING C, FR. CONNECTING ROD	C1	26	8		B2	5	11
BEARING C, RR. CONNECTING ROD	C1	27	9		B3	6	26
BEARING D, CRANKSHAFT CENTER	C2	28	12		B5	11	24
BEARING D, CRANKSHAFT SIDE	C2	28	11		B5	11	23
BEARING D, FR. CONNECTING ROD	C1	27	8		B6	13	6
BEARING D, RR. CONNECTING ROD	C1	27	9		B8	16	15
BEARING E, CRANKSHAFT CENTER	C2	28	12				
BEARING E, CRANKSHAFT SIDE	C2	28	11				

## Description Index

Description	Grid	Page	Ref. No.	Description	Grid	Page	Ref. No.
BOLT, FLANGE	B8	16	10	BOLT, FLANGE	E4	76	44
	F8	17	7		E4	76	45
	B8	17	6		E4	77	46
	B9	18	16		E5	78	9
	B9	19	20		E8	84	14
	B9	19	19		E8	84	15
	B9	19	18		E8	85	19
	B9	19	17		E9	86	8
	B9	19	30		E10	89	34
	B9	19	29		E10	89	35
	B9	19	28		E11	90	13
	B9	19	27		E11	90	14
	B9	19	31		E12	93	17
	B10	20	10		E12	93	15
	B11	22	17		F1	94	8
	B11	22	18		F1	94	12
	B11	23	10		F2	96	19
	B11	23	11		F3	99	22
	B11	23	9		F3	99	23
	B11	23	8		F4	100	11
	B12	24	23		F5	102	27
	B12	24	22		F6	105	16
	B12	24	17		F7	106	12
	B12	24	25		F7	107	23
	B12	24	24		F7	107	19
	B12	24	19		F7	107	18
	B12	24	21		F7	107	22
	B12	24	20		F7	107	21
	B12	24	18		F7	107	20
	C3	31	39		F8	108	12
	C4	33	18		F8	108	10
	C5	35	19		F8	108	11
	C5	35	20		F8	108	7
	D2	48	25		F10	113	40
	D3	51	23		F10	113	41
	D3	51	25		F10	113	31
	D3	51	24		F11	115	22
	D4	52	12		F11	115	21
	D4	52	13		F12	117	17
	D4	52	15		F12	117	18
	D4	52	14		G1	119	17
	D5	54	22		G1	119	19
	D6	56	16		G1	119	20
	D6	57	11		G1	119	18
	D6	57	13		G1	119	16
	D6	57	12	BOLT, FLANGE SOCKET	D9	62	31
	D8	60	24		E2	72	19
	D9	62	29	BOLT, FR. AXLE	D10	64	12
	D9	63	32	BOLT, FR. FORK	D8	60	18
	D11	67	33	BOLT, HEAD COVER	B1	2	10
	D12	68	6	BOLT, HEX	F6	105	14
	E1	70	24		F6	105	15
	E1	70	23	BOLT, MAIN STEP RUBBER SETTING	E10	88	24
	E2	72	17	BOLT, OIL	D3	51	17



## Description Index

Description	Grid	Page	Ref. No.	Description	Grid	Page	Ref. No.
BOLT, OIL	D4	52	10	BRIDGE COMP., FORK TOP	D5	55	13
	D5	54	16	BULB	D1	47	3
	D11	66	25		F3	98	8
	D11	66	24	BULB, HEADLIGHT	D1	46	3
BOLT, PIN	D8	61	15	BULB, LICENSE LIGHT	F3	98	8
	D12	69	15	BULB, WEDGE BASE	D1	47	5
BOLT, R. HANDLEBAR PIVOT	D3	51	16		D1	47	3
	D4	53	15		D1	47	4
BOLT, RR. COWL HOOK	E6	80	13		F2	97	4
BOLT, SETTING	B10	20	4		F3	98	9
BOLT, SIDE STAND PIVOT	E11	90	16	BULK HOSE, FUEL	E4	76	40
BOLT, SOCKET	B8	17	11	BULK HOSE, VACUUM	C7	38	11
	C4	33	20		C7	38	12
	D5	55	15		C7	38	10
	D6	56	17		C7	38	13
	D8	60	25		C7	39	19
	D9	62	30		C7	39	16
	D11	67	34		C7	39	18
	D11	67	35		C7	39	17
	E1	70	22		C7	39	15
	E3	75	29		C7	39	14
	E3	75	28		C7	39	20
	E6	81	15		E7	83	21
	E6	81	16		E7	83	22
	E10	88	22		E7	83	20
	E11	90	15		F10	113	38
	F1	94	10		F10	113	39
	F1	94	9		G1	118	13
	F1	94	11		G1	118	14
	F4	100	10	BULK HOSE, VINYL	E11	91	22
BOLT, SPECIAL	C3	30	20	BUSH	D4	53	2
	E10	88	23	BUSH, GUIDE	D7	59	10
	E11	91	17	BUSH, PIN	D8	61	16
	F7	106	13		E1	70	17
BOLT, STUD	B1	3	15	BUSH, SLIDER	D7	59	11
	B2	5	15				
BOLT, TANK HINGE	E4	76	32	(C)			
BOLT, TORX	B8	17	8				
BOLT, WHEEL	E2	72	18				
BOOT	D9	62	17	CABLE COMP. A. THROTTLE	D2	49	1
	E1	70	18	CABLE COMP. B. THROTTLE	D2	49	2
BOOT COMP.	D3	50	6	CABLE COMP. CHOKE	D2	49	3
	D4	53	7	CABLE, BATTERY GROUND	F4	100	7
	D8	61	9	CABLE, BATTERY STARTER	F4	100	2
	D10	65	9	CABLE, SEAT LOCK	E5	78	2
BOSS, OIL FILTER	B10	21	10	CABLE, STARTER MOTOR	F4	100	4
BRACKET COMP. RR. RUBBER	F1	94	1	CALIPER SUB-ASSY., L. FR.	D9	62	18
BRACKET SUB-ASSY., L. FR.	D8	61	5	CALIPER SUB-ASSY., R. FR.	D9	62	24
BRACKET SUB-ASSY., R. FR.	D8	61	4	CALIPER SUB-ASSY., RR. BRAKE	D12	69	8
BRACKET SUB-ASSY., RR.	D12	69	2	CAM SHAFT COMP., RR. IN	B4	8	4
BRACKET, NUMBER PLATE	F3	99	13	CAM SHAFT COMP., FR. EX.	B4	8	5
BRACKET, RR. BRAKE	D12	69	6	CAM SHAFT COMP., FR. IN.	B4	8	3
BRACKET, RR. CUSHION	F1	94	2	CAM SHAFT COMP., RR. EX.	B4	8	6
BRACKET, SIDE STAND	E11	90	2	CANISTER ASSY.	G1	118	2

## Description Index

Description	Grid	Page	Ref. No.	Description	Grid	Page	Ref. No.
CAP	B6	13	2	CLAMP, MASTER CYLINDER OIL HOSE	F10	112	30
	D2	48	14	CLAMP, RR. BRAKE HOSE	D10	65	1
CAP ASSY., NOISE SUPPRESSOR	F6	104	3	CLAMP, SECOND MASTER CYLINDER HOSE	D3	50	5
CAP COMP., FUEL FILLER	E3	75	19	CLAMP, TUBE	E4	76	38
CAP COMP., RADIATOR	F9	111	11	CLAMP, WATER HOSE	C5	34	5
CAP, BLEEDER SCREW	B9	18	15	CLIP	D2	48	24
	D8	61	8		F5	102	15
	D10	65	7		F5	102	21
	D12	69	10	CLIP B. TUBE	C5	34	1
CAP, MAINTENANCE	F11	114	7	CLIP, BREATHER TUBE	E7	82	9
CAP, MASTER CYLINDER	D3	50	9	CLIP, DRIVE CHAIN CASE	E12	93	20
	D4	53	9	CLIP, HARNESS BAND	F5	102	20
CAP, OIL CUP	D10	65	13	CLIP, IGNITION WIRE	D1	47	2
CAP, OIL FILTER	B6	13	4		F6	105	13
CAP, PIVOT	E10	88	25	CLIP, PANEL FIXING	F2	96	17
CAP, RESERVE TANK	F10	112	17	CLIP, PISTON PIN	C2	28	14
CAP, RR. AXLE	E1	71	4	CLIP, PULSER WIRE	B6	13	5
CAP, STEERING NUT	D5	55	12		E3	75	21
CASE ASSY.	D1	47	8		E7	82	10
	D1	47	7		F1	95	2
CASE COMP., DRIVE CHAIN	E12	92	2		F6	104	8
CASE COMP., L.	D8	60	22	CLIP, SUB-TANK HOSE	C8	41	1
CASE COMP., THERMOSTAT	C5	34	3	CLIP, TRIM	F1	95	15
CASE, R.	D7	59	13		F11	115	19
CENTER COMP., SHIFT DRUM	C4	32	7		F12	117	16
CENTER, CLUTCH	B7	14	5	CLIP, TUBE	C7	38	9
CHAIN KIT, DRIVE	E12	92	1		E4	76	42
CHAIN, DRIVE	E12	92	5		E4	76	41
CHAIN, OIL PUMP	B10	21	4		F10	113	34
CHAMBER COMP., VACUUM	E7	82	11		F10	113	37
CIRCLIP	B8	16	14	CLUTCH, ONE-WAY	B8	16	6
	C3	30	31	COIL COMP., IGNITION	F6	104	1
	C3	31	33	COLLAR	B1	3	3
	C4	33	17		B2	5	3
	D3	51	20		C2	29	14
	D5	54	19		C2	29	7
	D9	62	28		E12	92	14
	D11	66	19		F4	101	6
	E2	72	26	COLLAR, CLUTCH	B7	14	4
	E2	72	25	COLLAR, ENGINE HANGER	F7	106	7
	E9	86	11		F7	106	8
	E12	93	28		F7	106	6
CIRCLIP, PISTON	D11	66	27	COLLAR, FR. AXLE DISTANCE	D10	64	6
CLAMP	D2	48	15	COLLAR, FR. FENDER	F7	106	10
CLAMP, ALTERNATOR WIRE	B8	17	5	COLLAR, FR. WHEEL SIDE	D10	64	5
CLAMP, BRAKE HOSE	D4	52	8	COLLAR, IGNITION COIL SETTING	F6	104	2
	D4	52	9	COLLAR, L. CALIPER BRACKET	D9	62	25
	D10	65	4	COLLAR, L. MAIN STAND	E11	90	5
CLAMP, BRAKE PIPE	D12	68	5	COLLAR, L. PIVOT DISTANCE	E12	92	10
CLAMP, HARNESS	F5	102	17	COLLAR, MUFFLER SETTING	E8	84	11
CLAMP, HOSE	C5	34	6	COLLAR, O-RING	B10	21	7
	C5	34	7	COLLAR, PIVOT	B11	23	2
	F10	112	28		D7	59	2
CLAMP, MASTER CYLINDER OIL HOSE	D10	65	14	COLLAR, R. FR. WHEEL SIDE	D10	64	4

## Description Index

Description	Grid	Page	Ref. No.	Description	Grid	Page	Ref. No.
COLLAR, R. MAIN STAND	E11	90	4	(D)			
COLLAR, R. PIVOT	E12	92	8				
	E12	92	9	DAMPER COMP. FR.	D7	59	15
COLLAR, RR. AXLE	E1	71	9	DAMPER SET. WHEEL	E1	71	1
COLLAR, RR. AXLE DISTANCE	E1	71	7	DELAY VALVE ASSY.	D4	52	7
COLLAR, RR. AXLE SIDE	E1	71	8	DIAGRAM, VACUUM HOSE ROUTING	G2	120	1
COLLAR, RR. FENDER	F3	98	12	DIAPHRAGM	D3	50	12
COLLAR, SETTING	E3	75	25		D4	53	13
COLLAR, SHOCK CONNECTING ROD	E12	92	13		D11	66	17
	F1	94	5	DIAPHRAGM CONTROL VALVE	E7	82	8
COLLAR, SPLINE	C2	29	12	DIODE ASSY. THREE-WAY	F4	101	3
	C2	29	11	DISK B. CLUTCH FRICTION	B7	14	8
	C3	30	17	DISK COMP. L. FR. BRAKE	D10	64	10
COLLAR, SPRING	D7	59	5	DISK COMP. R. FR. BRAKE	D10	64	9
COLLAR, STEP	E10	88	20	DISK, CLUTCH FRICTION	B7	14	7
COLLAR, TORQUE LINK	D12	69	12	DISK, RR. BRAKE	E2	72	15
CONNECTOR, MASTER CYLINDER	D10	65	8	DRIVER 1. PLUS SCREW	F9	110	17
COOLER COMP. OIL	F8	108	1	DRUM COMP. GEARSHIFT	C4	32	5
COTTER VALVE	B4	9	17	DUCT AIR CLEANER	E7	82	3
COUNTERSHAFT COMP	C2	29	3	DUST SEAL	D8	60	28
COVER ASSY. FR. CYLINDER HEAD	B1	2	1		E2	73	30
COVER ASSY. L	B9	18	1		E2	73	31
COVER ASSY. RR. CYLINDER HEAD	B1	2	2		E12	93	25
COVER COMP. AIR CLEANER	E7	82	2		E12	93	24
COVER COMP. CHANGE	B9	18	3		E12	93	26
COVER COMP. LICENSE LIGHT	F3	98	6		E12	93	27
COVER COMP. R	B6	13	1		F1	94	16
COVER COMP. WATER PUMP	B9	18	7	DUST SEAL BRAKE CAM	D7	59	1
COVER, ALTERNATOR	B8	17	2	DUST SEAL STEERING HEAD	D6	57	4
COVER, BATTERY TERMINAL	F4	100	6		D6	57	3
COVER, BATTERY TRAY	F1	95	11				
COVER, L. COWL	F11	114	10	(E)			
COVER, PGM-FI UNIT	F1	95	1				
COVER, R. COWL	F11	114	9	ELEMENT AIR CLEANER	E7	82	1
COVER, REED VALVE	B1	2	3	EMBLEM, WING MARK	D5	55	14
COVER, RUBBER	D1	46	2				
COVER, STARTER MAGNETIC TERMINAL	F4	100	3				
COVER, STARTER MOTOR TERMINAL	F4	100	5	(F)			
COVER, THERMOSTAT	C5	34	4				
COWL SET	F11	114	3	FAN COMP. COOLING	F9	111	4
COWL SET, L. SIDE	F12	116	8	FENDER ASSY. RR.	F1	95	8
COWL SET, R. SIDE	F12	116	4	FENDER, FR.	D7	58	4
COWL SET, RR.	E6	80	1	FILTER ASSY. SOLENOID VALVE	E7	82	12
COWL HALF	F12	116	1	FILTER COMP. FUEL	E3	74	6
COWL, SINGLE SEAT	E6	80	3	FILTER, FUEL RETURN	E3	74	5
CRANKCASE SET	B11	23	1	FILTER, OIL	B10	21	9
CRANKSHAFT COMP	C1	27	10	FLANGE COMP. FINAL DRIVEN	E1	71	6
CUP, MASTER CYLINDER OIL	D10	65	11	FLANGE, STARTER CLUTCH	B8	16	5
CUP, PISTON	B9	18	13	FLYWHEEL COMP	B8	17	3
CUSHION, SINGLE SEAT COWL	E6	81	17	FORK ASSY. L. FR.	D8	60	21
CYLINDER ASSY. SLAVE	B9	18	9	FORK ASSY. R. FR.	D7	59	3
CYLINDER HEAD ASSY. FR.	B1	3	1	FORK C GEARS, 1ST	C4	32	2
CYLINDER HEAD ASSY. RR.	B2	5	1	FORK, L. GEARSHIFT	C4	32	3

## Description Index

Description	Grid	Page	Ref. No.	Description	Grid	Page	Ref. No.
FORK, R. GEARSHIFT	C4	32	1	GEAR, COUNTERSHAFT SECOND	C2	29	6
FRAME COMP	F7	106	3	GEAR, COUNTERSHAFT SIXTH	C3	30	18
FUNNEL, AIR	E7	82	7	GEAR, COUNTERSHAFT THIRD	C2	29	9
FUSE F	F5	103	29	GEAR, MAINSHAFT FIFTH	C2	29	13
	F5	103	28	GEAR, MAINSHAFT SECOND	C2	29	5
FUSE, BLADE	F4	100	12	GEAR, MAINSHAFT SIXTH	C3	30	16
				GEAR, MAINSHAFT THIRD & FOURTH	C2	29	8
				GEAR, STARTER IDLE	B8	16	7
(G)				GEAR, STARTER REDUCTION	B8	16	2
GASKET B, CYLINDER HEAD COVER	B1	2	7	GEAR, TIMING	C2	28	13
	C9	42	5	GRILLE, L. RADIATOR	F9	111	7
GASKET C, HEAD COVER	B1	3	5	GRILLE, R. RADIATOR	F9	111	6
	B2	5	5	GRIP	F9	110	19
	C9	42	7	GRIP COMP. R.	D2	49	7
GASKET KIT A	C9	42	7	GRIP, L. HANDLE	D2	49	9
GASKET KIT B	C10	44	4	GRIP, L. RR.	E6	80	8
GASKET SET, INJECTOR	C6	36	1	GRIP, R. HANDLE	D2	49	8
GASKET, ALTERNATOR COVER	B8	17	1	GRIP, R. RR.	E6	80	7
	C10	44	3	GRIP, RR. WHEEL WRENCH	F8	109	13
GASKET, BASE	E3	75	17	GROMMET	F4	101	1
GASKET, CHANGE COVER	B9	18	4	GROMMET A, TUBE	E9	87	3
	C10	44	2	GUARD, AIR CLEANER	F7	106	1
GASKET, EX. PIPE	C9	42	8	GUARD, L. HALF COWL HEAT	F12	116	3
	E8	84	2	GUARD, MAIN STEP HEAT	E9	87	5
GASKET, FR. CYLINDER HEAD	B1	3	4	GUARD, R. HALF COWL HEAT	F12	116	2
	C9	42	2	GUIDE, BRAKE HOSE	E12	92	7
GASKET, FR. CYLINDER HEAD COVER	B1	2	6	GUIDE, CLUTCH	B7	14	3
	C9	42	4	GUIDE, L. RADIATOR	F9	111	9
GASKET, LENS	F3	98	7	GUIDE, PRIMARY DRIVE GEAR	B8	16	12
GASKET, MUFFLER	C9	42	10	GUIDE, R. RADIATOR	F9	111	8
	C9	42	9	GUIDE, RR. BRAKE AIR	E12	92	3
	E8	84	7	GUIDE, VALVE	B1	3	2
	E8	84	8		B2	5	2
GASKET, OIL STRAINER	B10	21	6	(H)			
	C10	44	4	HANDLEBAR COMP. L. HANDLE	D5	55	11
GASKET, R. COVER	B6	13	3	HANDLEBAR COMP. R. HANDLE	D5	55	5
	C10	44	1	HOLDER COMP. BEARING	E1	71	5
GASKET, RR. CYLINDER HEAD	B2	5	4	HOLDER, SET BRUSH	B10	20	5
	C9	42	3	HOLDER, L. MAIN STEP	E9	87	14
GASKET, RR. CYLINDER HEAD COVER	B1	2	8	HOLDER, L. PILLION STEP	E10	88	19
	C9	42	6	HOLDER, MASTER CYLINDER	D3	50	10
GASKET, SLAVE CYLINDER	B9	18	10		D4	53	10
	C10	44	6	HOLDER, R. MAIN STEP	E9	87	4
GASKET, WATER PUMP COVER	B9	18	8	HOLDER, R. PILLION STEP	E10	88	18
	C10	44	5	HOOK, MAIN STAND SPRING	E11	90	11
GAUGE, FEELER	F8	109	3	HOOK, SEAT CATCH	E5	78	7
GEAR ASSY. PRIMARY DRIVE	B8	16	1	HORN COMP	D6	57	1
GEAR COMP. STARTER CLUTCH	B8	16	4	HOSE A, WATER	C5	34	11
GEAR TRAIN COMP. FR.	B4	8	7	HOSE B, WATER	C5	34	12
GEAR TRAIN COMP. RR.	B4	8	8	HOSE COMP. CLUTCH	D4	53	5
GEAR, COUNTERSHAFT FIFTH	C2	29	15	HOSE COMP. FUEL FEED	E3	74	13
GEAR, COUNTERSHAFT FIRST	C2	29	4				
GEAR, COUNTERSHAFT FOURTH	C2	29	10				

## Description Index

Description	Grid	Page	Ref. No.	Description	Grid	Page	Ref. No.
HOSE, FR. HEAD WATER	C5	34	14	(L)			
HOSE, FUEL PUMP	E3	74	3				
HOSE, FUEL RETURN	E3	74	12				
HOSE, L. FR. BRAKE MAIN	D3	50	3	L.C.D. ASSY.	D2	48	16
HOSE, L. RADIATOR	F10	112	21	LABEL CHAIN ADJUSTER	G2	120	5
HOSE, PUMP	E3	74	2	LABEL COLOR	G2	120	9
HOSE, R. FR. BRAKE MAIN	D3	50	2	LABEL DRIVE	G2	120	8
HOSE, R. RADIATOR	F10	112	25	LABEL DRIVE CHAIN	G2	120	4
	F10	112	22	LABEL HIGH ALTITUDE	G2	120	2
HOSE, RADIATOR	F10	112	20	LABEL LOADING	G2	120	6
	F10	112	24	LABEL RR. DAMPER	F1	94	7
	F10	112	27	LABEL SWINGARM	G2	120	7
HOSE, RADIATOR BREATHER	F10	112	23	LABEL TIRE	G2	120	3
HOSE, RADIATOR MIDDLE	F10	112	23	LENS COMP. L. FR. TURN SIGNAL	F2	97	2
HOSE, RR. BRAKE MAIN	D10	65	2	LENS COMP. R. FR. TURN SIGNAL	F2	97	1
HOSE, RR. HEAD WATER	C5	34	15	LENS, LICENSE	F3	98	5
HOSE, RR. MASTER CYLINDER	D10	65	12	LEVER ASSY., L. HANDLE	D4	53	14
HOSE, SECOND MASTER CYLINDER	D4	52	3	LEVER ASSY., R. HANDLE	D3	51	15
HOSE, WATER BYPASS	C5	34	13	LEVER SET, STARTER	C8	40	2
HOUSING, AIR CLEANER	E7	82	6	LEVER CHOKE	D2	49	4
HUB COMP., SPROCKET	E1	71	10	LIFTER, VALVE	B4	8	11
				LIGHT ASSY., LICENSE	F3	98	3
				LOCK ASSY., SEAT	E5	78	1
				LOCK SET	D5	55	1
				(M)			
INSULATOR, THROTTLE BODY	B1	3	6	MAINSHAFT	C2	29	1
	B2	5	6	MARK, COWL	G3	122	3
				MARK, L. FR. SIDE COWL	G3	122	5
				MARK, L. FUEL TANK	G3	122	2
				MARK, R. FR. SIDE COWL	G3	122	4
				MARK, R. FUEL TANK	G3	122	1
				MARK, RR. COWL	G3	122	6
				MASTER CYLINDER SUB-ASSY., CLUTCH	D4	53	4
				MASTER CYLINDER SUB-ASSY., FR.	D3	50	7
				MASTER CYLINDER SUB-ASSY., RR.	D10	65	10
				MASTER LINK	E12	92	4
				MAT A, FUEL TANK MUFFLER	E4	77	47
				MAT B, FUEL TANK MUFFLER	E3	74	14
				MAT, CANISTER PROTECTOR	G1	118	5
				MAT, PGM-FI UNIT	F1	95	10
				METER ASSY., COMBINATION	D1	47	6
				MIRROR, L.	F11	114	12
				MIRROR, R.	F11	114	11
				MOTOR ASSY., FAN	F9	111	5
				MOTOR ASSY., STARTER	B10	20	1
				MUFFLER COMP	E8	84	3
				(N)			
				NECK, FILLER	F9	111	10
KEY BLANK	D5	55	4	NUT	E9	87	2

## Description Index

Description	Grid	Page	Ref. No.	Description	Grid	Page	Ref. No.
NUT, A. SEALING	C6	36	11	O-RING	B3	6	18
	E4	76	33		B3	6	20
NUT-WASHER	B10	20	7		B6	13	7
NUT, CAP	D3	51	18		B6	13	8
	D5	54	17		B9	19	25
NUT, CLIP	D1	46	4		B10	20	8
	F1	95	13		B10	20	9
	F11	115	18		B10	21	12
NUT, CONNECTING ROD	C1	26	6		B10	21	13
NUT, COWL SETTING	E6	80	11		C5	34	16
	F6	104	11		C5	35	18
	F11	115	16		C5	35	17
	F12	116	14		C6	36	13
NUT, FLANGE	D2	48	23		C6	36	14
	D7	58	7		C9	43	14
	E2	72	22		C9	43	16
	E4	76	39		C9	43	15
	E8	85	17		C9	43	18
	E10	88	28		C9	43	17
	E12	93	18		C10	44	10
	F2	96	18		C10	44	12
	F3	99	20		C10	44	11
	F5	102	25		C10	44	13
	F7	107	15		C10	44	9
	F7	107	17		C10	45	16
	G1	118	11		C10	45	14
NUT, FLANGE CAP	F1	94	13		C10	45	15
	F1	95	12		C10	45	17
NUT, HEX	D8	60	23		D8	60	29
	D11	67	31		D8	60	30
NUT, LOCK	B7	15	16		D8	61	12
	E2	72	20		D11	66	28
NUT, OPEN STAY	F7	106	14		D11	66	29
NUT, SERRATE	F10	113	33		D12	69	14
NUT, SET	F9	111	2		E4	76	37
NUT, SIDE STAND	E11	91	18		F8	108	8
NUT, SPECIAL	E8	84	16		F8	108	9
	F1	95	14		F10	113	35
	F3	99	16	O-RING, SPROCKET HUB	E2	73	32
	F6	105	12	OIL SEAL	B9	19	24
NUT, SPRING	F3	99	17		B9	19	23
NUT, SQUARE	B1	3	9		B11	23	15
	B2	5	9		C3	31	37
NUT, STEERING STEM	D6	56	19		D10	64	14
NUT, U	E4	76	34	ORIFICE	B11	23	3
	F1	94	14	OUTER COMP., CLUTCH	B7	14	2
NUT, WHEEL	E2	72	21				
				(P)			
O-RING	B2	4	20	PAD SET FR.	D8	61	6
	B2	4	19	PAD SET RR.	D12	69	3
	B3	6	19	PAN OIL	B10	21	1
				PANEL L	F11	114	6





